

NOTICE TO PERSONS RECEIVING THIS DRAWING

THE TECHNICAL MATERIEL CORPORATION claims proprietary right in the material disclosed hereon. This drawing is issued in confidence for engineering information only and may not be reproduced or used to manufacture anything shown hereon without permission from THE TECHNICAL MATERIEL CORPORATION to the user. This drawing is loaned for mutual assistance and is subject to recall at any time.

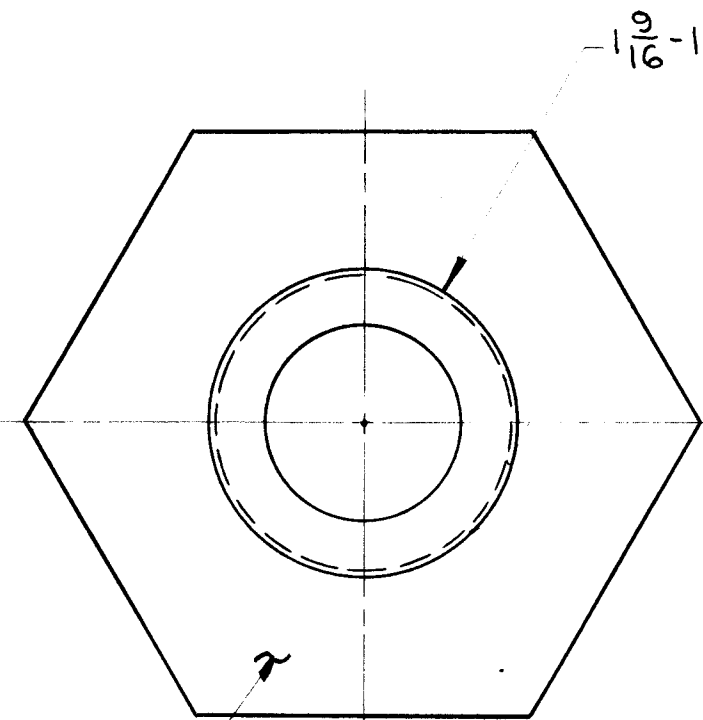
Property of:

THE TECHNICAL MATERIEL CORPORATION  
MAMARONECK, NEW YORK

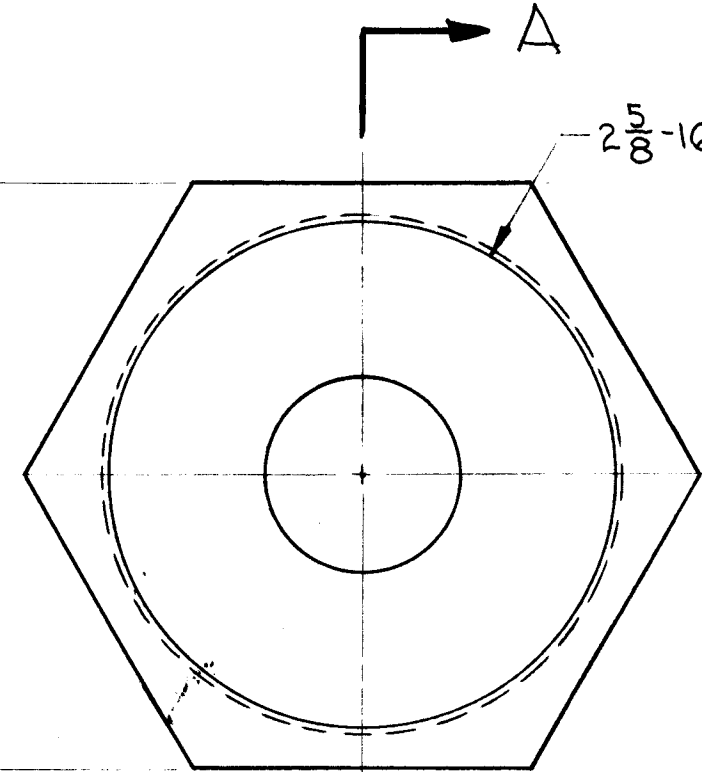
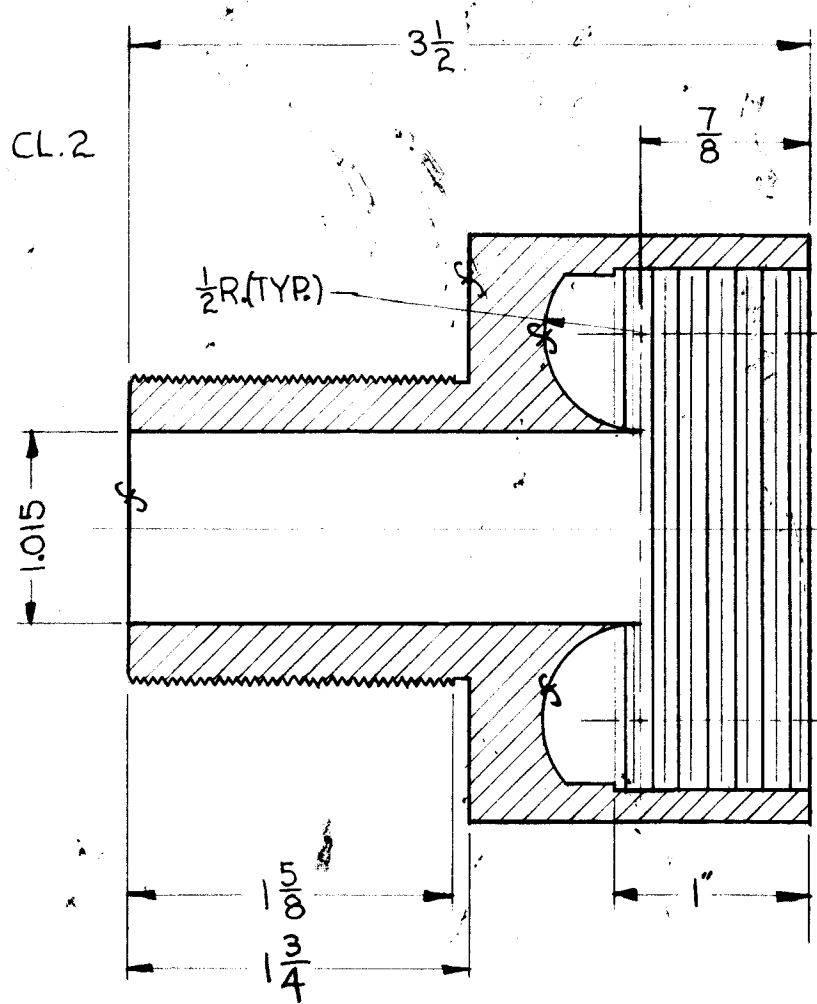
SM-154

REVISIONS

SYM	DESCRIPTION	DATE	E.M.N. NO.	DRAFT	CHKD	APPD
-----	-------------	------	------------	-------	------	------



METAL STAMP TMC PART NO.  $\frac{1}{8}$  HIGH GOTHIC.



f - DENOTES THESE SURFACES TO BE MACHINE FINISHED.

SECTION A-A

REQ'D.	ITEM	PART NUMBER	DESCRIPTION	SYMBOL
PRITCHARD LIST OF MATERIAL				
MATERIAL			THE TECHNICAL MATERIEL CORP. MAMARONECK, NEW YORK	
BRASS, FREE MACHINING			TITLE	
FINISH			GLAND, ARMOR COUPLING	
S-105 CADMIUM PLATE .0002			DRAWN R. J. J. DATE 6-12-62	
UNLESS OTHERWISE SPECIFIED			CHECKED J. W. O. DATE	
DIMENSIONS ARE IN INCHES AND INCLUDE			ELECT. DES. DATE	
CHEMICALLY APPLIED OR PLATED FINISHES			MECH. DES. DATE	
DECIMALS			FINAL APPROVAL	
.X ± .05			SM-154	
.XX ± .01			SHEET	
.XXX ± .005			REV. LTR.	
FRACTIONS			DATE 6/17/62	
± 1/64				
TOLERANCES				
ANGLES				
± 0° 30'				

1	AX-354	
Q'TY./UNIT	MODEL USED ON	ASS'Y. NO.
DO NOT SCALE	CODE	
THE CONTENTS OF THIS DRAWING ARE THE EXCLUSIVE PROPERTY OF THE TECHNICAL MATERIEL CORP. ITS UNAUTHORIZED USE OR REPRODUCTION IN WHOLE OR IN PART IS STRICTLY FORBIDDEN.		

NOTES