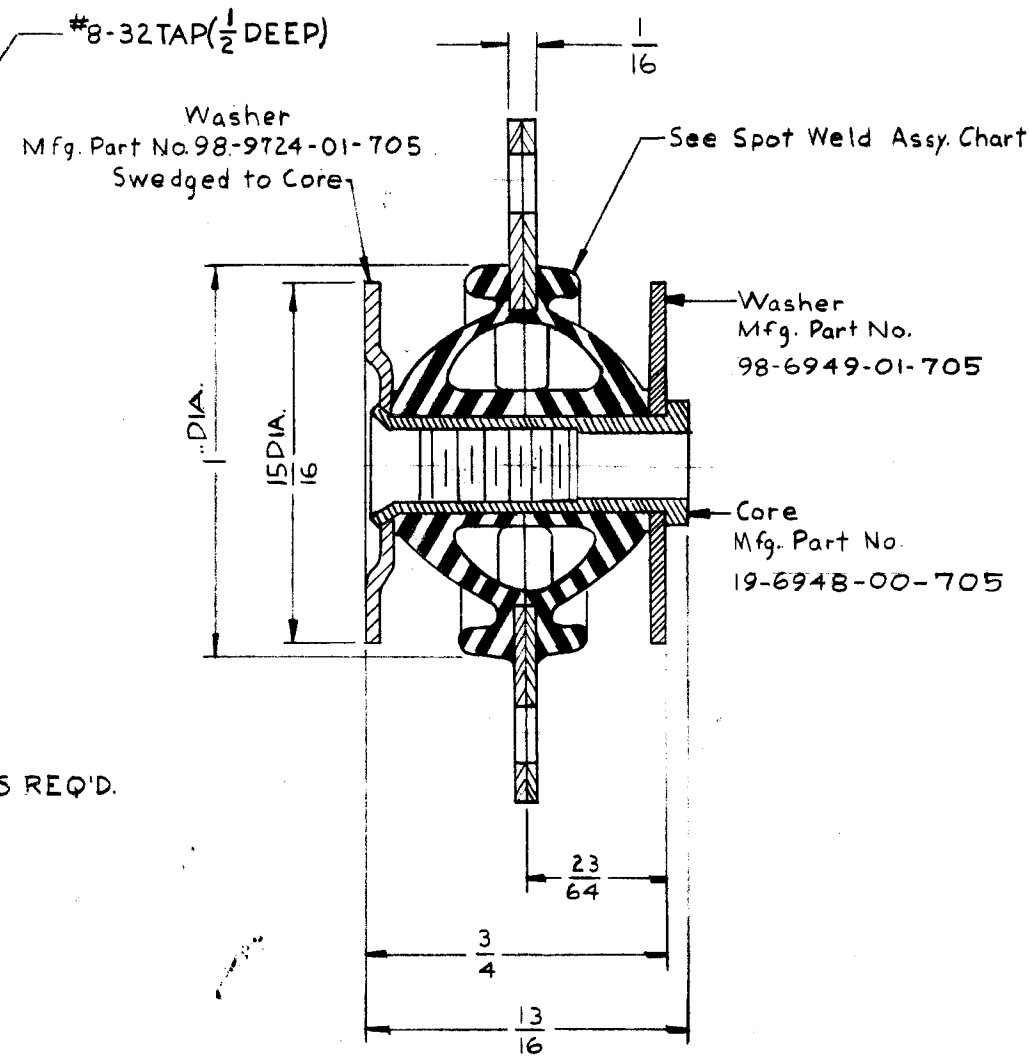
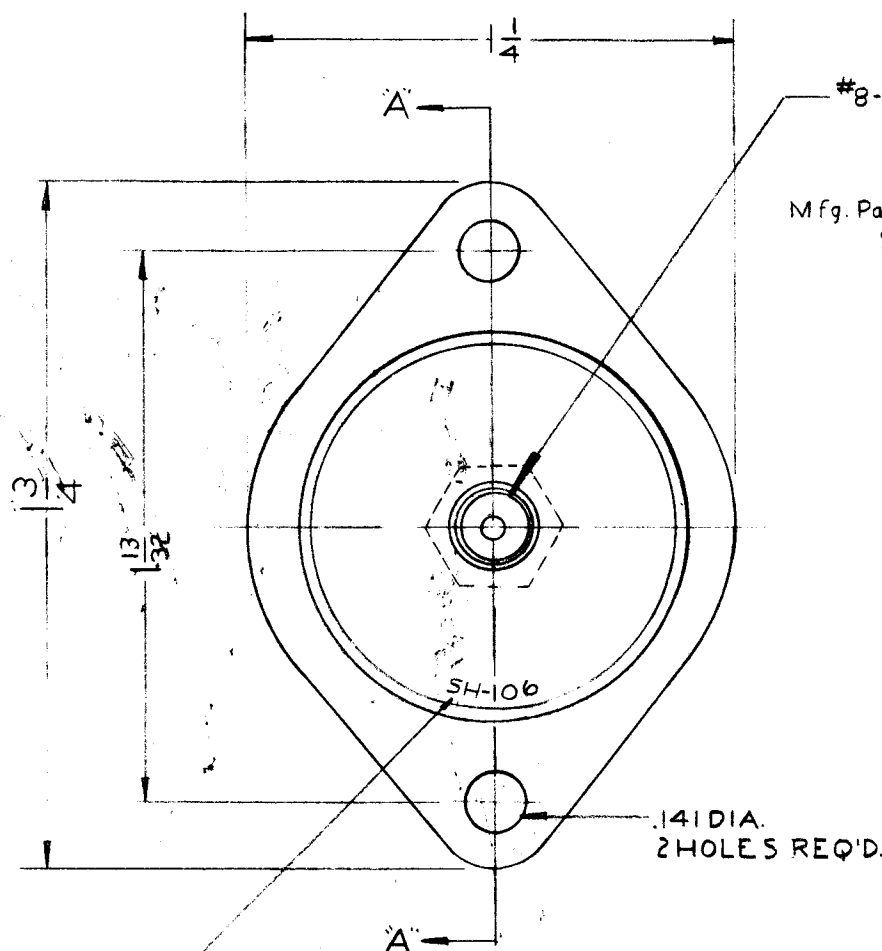


TMC Part No.	Barry Part No.	Load (lbs) Nat Freq. of 15CPS	Max. Allowable Load (lbs)	Rubber Color	Color Code
SH-106-1	6300-4T	4	4	Black	Yellow
SH-106-2	6300-11T	11	11	Black	Purple
SH-106-3	N6300-4T	4	4	Green*	Blue/Wh.
SH-106-4	N6300-7T	7	7	Green*	
SH-106-5	N6300-11T	11	11	Green*	Yell/Wh.

SH-106

*Silicone Green Compound



Stamp TMC Part No. $\frac{1}{8}$ " High Black Gothic

SECTION 'A'-A'

NOTICE TO PERSONS RECEIVING THIS DRAWING

THE TECHNICAL MATERIEL CORPORATION claims proprietary right in the material disclosed hereon. This drawing is issued in confidence for engineering information only and may not be reproduced or used to manufacture anything shown hereon without permission from THE TECHNICAL MATERIEL CORPORATION to the user. This drawing is loaned for mutual assistance and is subject to recall at any time.

Property of:
THE TECHNICAL MATERIEL CORPORATION
MAMARONECK, NEW YORK

REF - THE BARRY CORP.

SYM	DESCRIPTION	DATE	CH. NO.	DRAFTS	CHECKER	ENG. APP.
C	Completely Redrawn & Revised	10-12-61	5687	LL	LL	LL

REQ. ITEM	PART NO.	DESCRIPTION	SYMBOL
		THE TECHNICAL MATERIEL CORP. MAMARONECK, NEW YORK	
STOCK SIZE		SHOCK ABSORBER	
MATERIAL			
TYPE & TEMPER	HEAT TREAT. SPEC.	DRAWN	CHECKER
		LL	LL
FINISH & SPEC. NO.		ELEC. DES. APP.	MECH. DES. APP.

UNLESS OTHERWISE SPECIFIED:
DIMENSIONS ARE IN INCHES
TOLERANCES ON FRACTIONS $\pm 1/64$ DECIMALS $\pm .005$ ANGLES $\pm 1/20^\circ$

SCALE:
MAXIMUM ALLOWABLE TOLERANCES HAVE BEEN DETERMINED AND ANY DEVIATIONS WILL BE CAUSE FOR REJECTION. REMOVE ALL BURRS AND SHARP EDGES

REQ. PER UNIT	MODEL	SECTION	ASS'Y. NO.	DATE
	CMO-1,2			10-12-61
USED ON				

SH-106 C