

TMC PART NO.	MFG. TYPE NO.	A TOTAL COMPRESSED HEIGHT	B THK'NESS SUPPORTING MEMBER	LOAD RATING LBS. ANY DIRECTION	C HOLE DIA.	FOR SCREW NO.
SH105-1	2	31/64"	.110 MAX. .072 MIN.	1.2 LBS.	.169	8
SH105-2	3	31/64"	.110 MAX. .072 MIN.	1.2 LBS.	.193	10

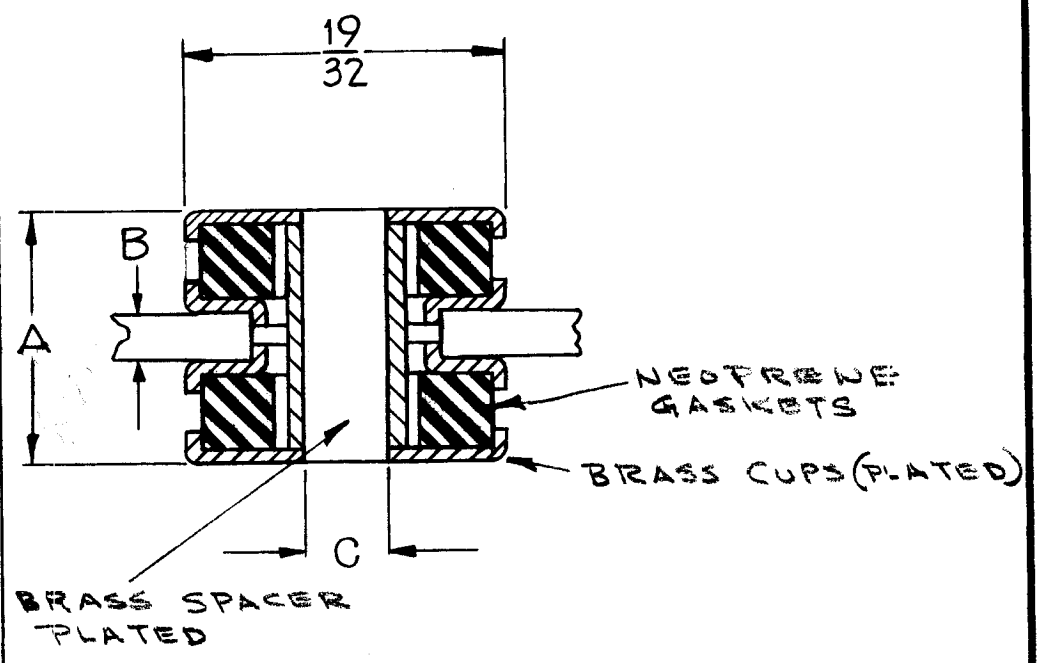
REQ. PER. UNIT	USED ON		
	MODEL	ASS'Y. NO.	DATE

SH-105 A

**NOTICE TO PERSONS RECEIVING THIS DRAWING**

THE TECHNICAL MATERIEL CORPORATION claims proprietary right in the material disclosed hereon. This drawing is issued in confidence for engineering information only and may not be reproduced or used to manufacture anything shown hereon without permission from THE TECHNICAL MATERIEL CORPORATION to the user. This drawing is loaned for mutual assistance and is subject to recall at any time.

Property of:  
**THE TECHNICAL MATERIEL CORPORATION**  
 MAMARONECK, NEW YORK



ISSUE	ITEM	CHANGED FROM	DATE	CH. NO.	DRAFTS	CHECKER	ENG. APP.
A		STAMPING NOTE DELETED	11-20-59	1577	<i>SM</i>	<i>J. C. Biele</i>	
TOLERANCES			SCALE: S401-19 (MODEL B)				
DEC. DIM. ±			MAXIMUM ALLOWABLE TOLERANCES HAVE BEEN DETERMINED AND ANY DEVIATIONS WILL BE CAUSE FOR REJECTION. REMOVE ALL BURRS AND SHARP EDGES				
FRAC. DIM. ±							
ANGULAR DIM. ±							

REQ.	ITEM	PART NO.	DESCRIPTION		SYMBOL
			THE TECHNICAL MATERIEL CORP. MAMARONECK, NEW YORK		
			ISOLATOR, VIBRATION		
			MATERIAL		
			TYPE & TEMPER	HEAT TREAT. SPEC.	
			FINISH & SPEC. NO.	ELEC. DES. APP	MECH. DES. APP
			<i>J.C. Biele</i>	<i>[Signature]</i>	<i>[Signature]</i>
				<i>[Signature]</i>	
					SH-105 A