

STANDARD DRAWING

REQ. PER UNIT	USED ON			SA127	Ø
	MODEL	ASS'Y. NO.	DATE		

SPECIFICATIONS

SERIES--QDS TO N
 NO. OF CONTACTS--TWO (2)
 TYPE OF CONTACT--N-FEMALE/QDS-MALE
 DIELECTRIC--TEFLON

ELECTRICAL DATA

MAX. PEAK OPR. VOLT--1500V
 FREQ. LIMIT--10,000 MC
 IMPEDANCE--50 OHMS

MATES WITH:

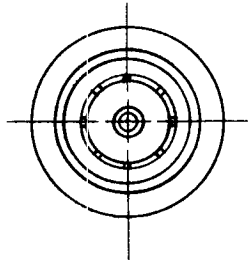
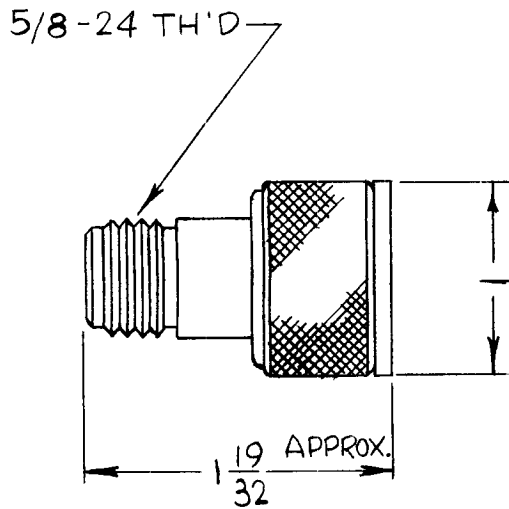
QDS(F) TO N(M)

MATERIAL

EXT. PARTS--BRASS
 CONTACT--BERYLLIUM COPPER
 CONTACT FINGERS--BERYLLIUM COPPER

FINISH

EXTERNAL PARTS--SILVER PLATE &
 RHODIUM FLASH
 CONTACT--SILVER PLATE & GOLD FINISH



							REQ. ITEM	PART NO.	DESCRIPTION	SYMBOL	
							STOCK SIZE		THE TECHNICAL MATERIEL CORP. MAMARONECK, NEW YORK		
							MATERIAL		CONNECTOR, ADAPTER		
Ø	ORIGINAL REL.	9-24-65	---	E			H. Austin		QC	Final Approval	
SYM	DESCRIPTION	DATE	CH. NO.	DRAFTS	CHECKER	ENG. APP.	TYPE & TEMPER		CHECKED	FINAL APPROVAL	
UNLESS OTHERWISE SPECIFIED DIMENSIONS ARE IN INCHES AND INCLUDE CHEMICALLY APPLIED OR PLATED FINISHES		SCALE					HEAT TREAT. SPEC.		DRAWN		
DECIMALS .X ± .05 .XX ± .01 .XXX ± .005	TOLERANCES	FRACTIONS ± 1/64 ANGLES ± 0° 30'	CODE C	S401-70 (43G)			FINISH & SPEC. NO.		9/24/65	SA127 Ø	
							ELEC. DES. APP.		MECH. DES. APP.		