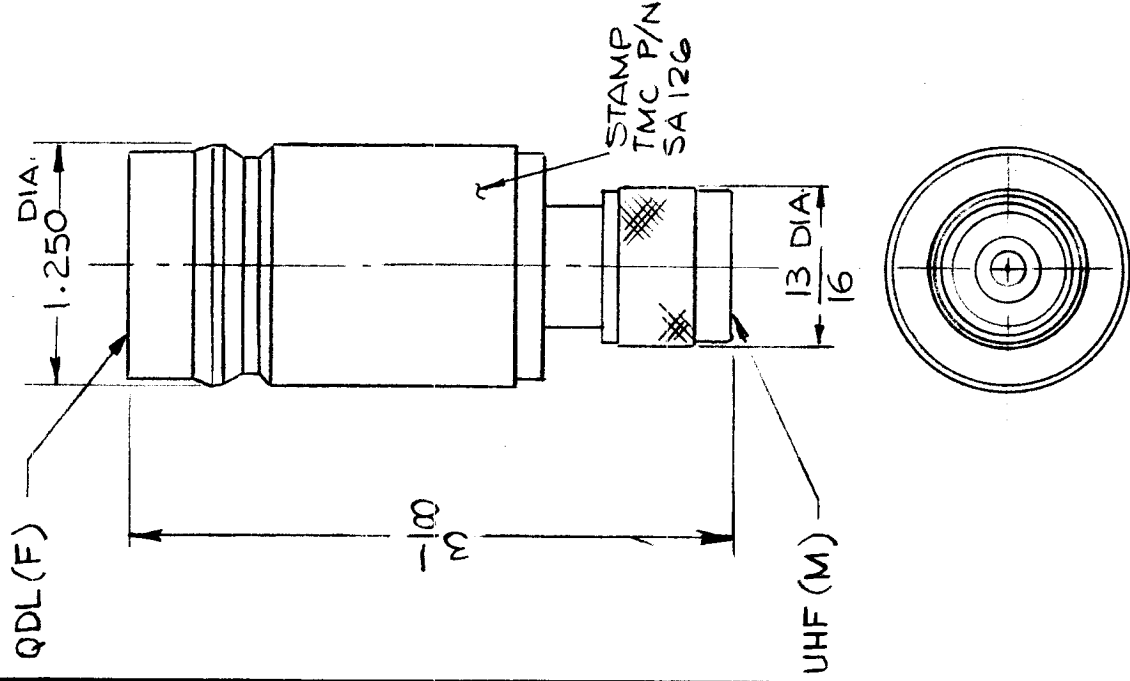


APPLICATION		REVISIONS							
QTY	MODEL USED ON	ASSY NO.	LTR	DESCRIPTION	DATE	E.M.N.NO	DRAFT	CHKD	APRD
	STANDARD		X	EXP. RELEASE	2-20-67	—	G.D.L.		<i>CHB</i>
			XI	ADDED ELEC. DATA TO SPEC.	9-18-67		C.V.	<i>W</i>	<i>all</i>
			Ø	EXP. RELEASE	9/22/68				



SPECIFICATIONS

SERIES: QDL TO UHF

NO OF CONTACTS: ONE I EACH END

TYPE OF CONTACTS: ONE MALE, ONE FEMALE

DIELECTRIC: TEFLON

MATERIAL

EXTERNAL PARTS: BRASS

CONTACTS: FEMALE-BERYLLIUM COPPER
MALE BRASS

FINISH

EXTERNAL PARTS: SILVER PLATE & RHODIUM
FLASH.

CONTACTS: SILVER PLATE AND GOLD FLASH

ELECTRICAL DATA:

MAX PEAK VOLTAGE: 500 V
FREQ. LIMIT: 200-500 MHz
NOMINAL IMPEDANCE: 50 Ω

UNLESS OTHERWISE SPECIFIED DIMENSIONS ARE IN INCHES AND INCLUDE CHEMICALLY APPLIED OR PLATED FINISHES		REQ'D	ITEM	PART NUMBER	DESCRIPTION	SYM.
DECIMALS		MARTINENGO				
FRACTIONS		LIST OF MATERIAL				
X ± .05 TOLS. 1/64		THE TECHNICAL MATERIEL CORP.				
.XX ± .01 ANGLES 0°-30'		MAMARONECK, NEW YORK				
.XXX ± .005		ADAPTER, QDL(F) TO UHF (M)				
MATERIAL SEE MATERIAL NOTE		SIZE				
FINISH SEE FINISH NOTE		CODE IDENT. NO.				
S401-70 (2973)		A 82679				
NOTICE TO PERSONS RECEIVING THIS DRAWING		DWG NO.				
THE TECHNICAL MATERIEL CORPORATION claims proprietary right in the material disclosed hereon. This drawing is issued in confidence for engineering information only and may not be reproduced or used to manufacture anything shown hereon without permission from THE TECHNICAL MATERIEL CORPORATION to the user. This drawing is loaned for mutual assistance and is subject to recall at any time.		SA126				
		ISSUE				
		SCALE 1:1				
		SHEET				
		OF				