

THE CONTENTS OF THIS DRAWING ARE THE EXCLUSIVE PROPERTY OF THE TECHNICAL MATERIEL CORP. ITS UNAUTHORIZED USE FOR REPRODUCTION IN WHOLE OR IN PART IS STRICTLY FORBIDDEN.

REQ. PER UNIT

USED ON

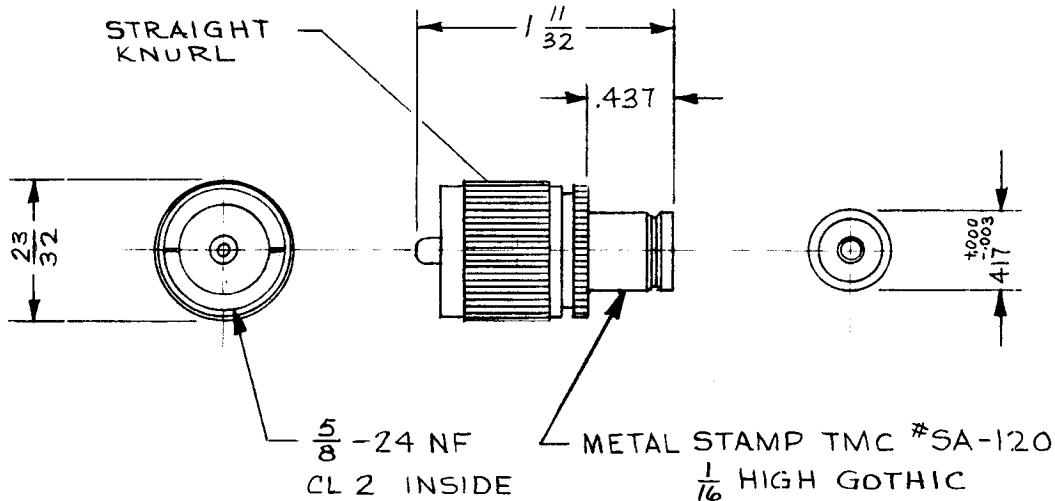
MODEL

ASS'Y. NO.

DATE

10-26-62

SA-120



SPECIFICATIONS:

Series - QDM
 No. of Contacts - ONE (1)
 Type of Contact - FEMALE
 Dielectric - TEFLON

ELECTRICAL DATA:

Max. Peak Opr. Volt - 500 V
 Freq. Limit - 10,000
 Nominal Impedence - 50 OR 70 OHMS

MATING ACCOMMODATIONS:

Type - UHF (MALE)

MATERIAL:

External Parts - BRASS
 Contact - BERYLLIUM COPPER
 Gasket -

FINISH:

External Parts - SILVER PLATE & RHODIUM FINISH
 Contact - SILVER PLATE & GOLD FLASH

REQ.	ITEM	PART NO.	MATERIAL			DESCRIPTION	SYMBOL
			MATERIAL			THE TECHNICAL MATERIEL CORP. MAMARONECK. NEW YORK	
			STOCK SIZE			ADAPTER, CONNECTOR	
			SEE NOTE			"UHF"(M) TO "QDM"(F)	
SYM	DESCRIPTION	DATE	CH. NO.	DRAFTS	CHECKER	ENG. APP.	
UNLESS OTHERWISE SPECIFIED DIMENSIONS ARE IN INCHES AND INCLUDE CHEMICALLY APPLIED OR PLATED FINISHES		SCALE					
TOLERANCES		FRACTIONS	CODE	S 401-70 (2623)			
.X ± .05		± 1/64					
.XX ± .01		ANGLES					
.XXX ± .005		± 0° 30'					
FINISH & SPEC. NO.		ELEC. DES. APP.	MECH. DES. APP.		SA-120		
SEE NOTE		M. TANTILLO		CHECKED		FINAL APPR VAL	