

SA-118

THE CONTENTS OF THIS DRAWING ARE THE EXCLUSIVE PROPERTY OF THE TECHNICAL MATERIEL CORP. ITS UNAUTHORIZED USE OR REPRODUCTION IN WHOLE OR IN PART IS STRICTLY FORBIDDEN.

SPECIFICATIONS

SERIES-QDL MALE to QDS FEMALE
 No. OF CONTACTS-ONE
 TYPE OF CONTACT- MALE
 DIELECTRIC~TEFLON

ELECTRICAL DATA

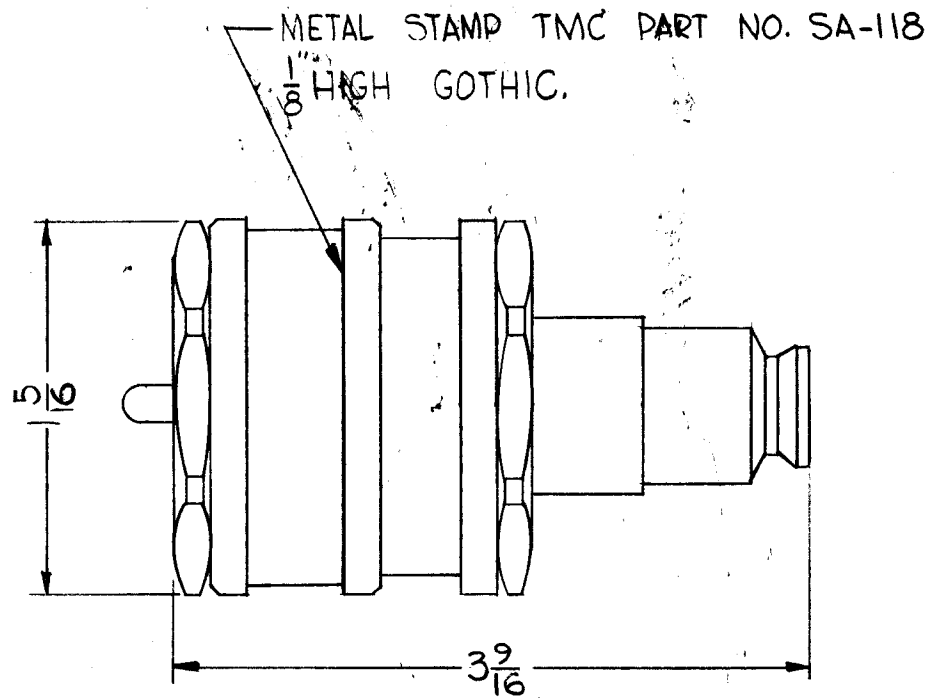
MAX. PEAK VOLTAGE ~ 5000
 FREQ. LIMIT ~ 10,000 MC
 NOMINAL IMPEDANCE ~ 50Ω

MATERIAL

EXTERNAL PARTS ~ BRASS
 CONTACTS ~ BERYLLIUM COPPER

FINISH

EXTERNAL PARTS-SILVER PLATE & RHODIUM FLASH
 CONTACTS ~ SILVER PLATE & GOLD FLASH



THE USER OF THIS DRAWING... THE TECHNICAL MATERIEL CORPORATION... MAMARONECK, NEW YORK

Property of:
 THE TECHNICAL MATERIEL CORPORATION
 MAMARONECK, NEW YORK

REQ. ITEM	PART NO.	PRITCHARD DESCRIPTION	SYMBOL
		THE TECHNICAL MATERIEL CORP., MAMARONECK, NEW YORK	
		ADAPTOR, CONNECTOR "QDL" (M) / "QDS" (F)	
		MATERIAL	
		TYPE & TEMPER	
		HEAT TREAT. SPEC.	
		DRAWN	
		CHECKED	
		FINAL APPROVAL	
		FINISH & SPEC. NO.	
		ELEC. DES. APP.	
		MECH. DES. APP.	

SYM	DESCRIPTION	DATE	CH. NO.	DRAFTS	CHECKER	ENG. APP.
	UNLESS OTHERWISE SPECIFIED: DIMENSIONS ARE IN INCHES TOLERANCES ON FRACTIONS ± 1/64 DECIMALS ± .005 ANGLES ± 1/2°	SCALE: SA-118-70 (2398)				
		MAXIMUM ALLOWABLE TOLERANCES HAVE BEEN DETERMINED AND ANY DEVIATIONS WILL BE CAUSE FOR REJECTION. REMOVE ALL BURRS AND SHARP EDGES				

REQ. PER UNIT	MODEL	SECTION	ASS'Y. NO.	DATE
				4-30-62
	USED ON			