

REQ. PER UNIT	USED ON		SA-102
	MODEL	ASS'Y. NO.	
	QDL		5-10-61

SPECIFICATIONS

SERIES ~ QDL
 NO OF CONTACTS ~ ONE (1) + (1)
 TYPE OF CONTACT ~ FEMALE, MALE
 DIELECTRIC ~ TEFLON

ELECTRICAL DATA

MAX. PEAK VOLT. ~ 10KV
 FREQ. LIMIT ~ 1000 MCS
 NOM. IMPEDANCE ~ 50Ω

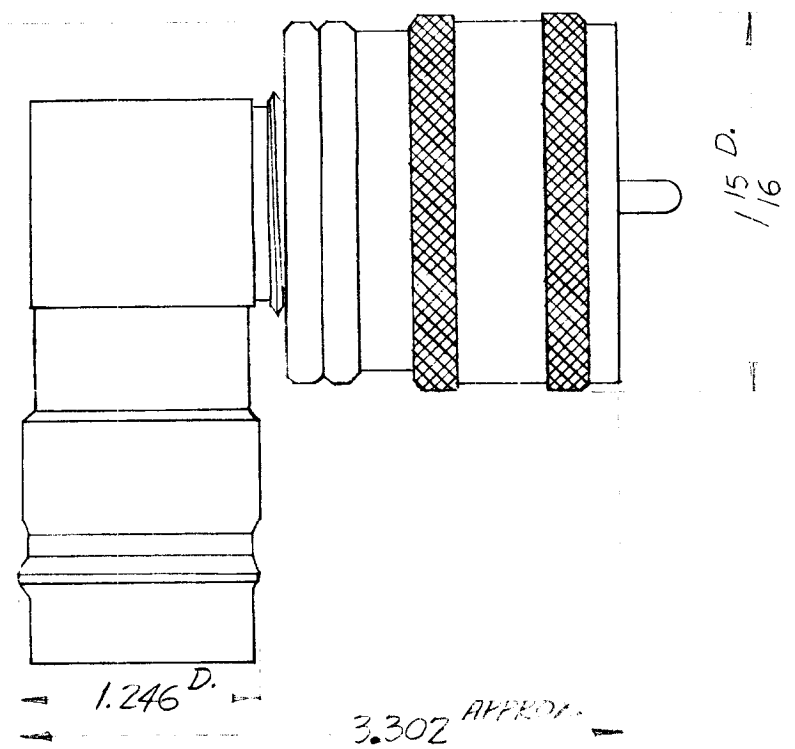
MATING ACCOMODATIONS

TYPE ~ QDL

MATERIAL

EXTERNAL PARTS ~ BRASS
 CONTACTS ~ MALE-BRASS; FEMALE-BERYLLIUM
FINISH
 ENTENAL PARTS ~ SILVER PLATE & RHODIUM FLASH.
 CONTACTS ~ SILVER PLATE & GOLD FLASH

APPROX.
3.050



NOTE: NOMENCLATURE WAS PL-142

ISSUE	ITEM	CHANGED FROM	DATE	CH. NO.	DRAFTS	CHECKER	ENG. APP.	REQ.	ITEM	PART NO.	DESCRIPTION	SYMBOL
											THE TECHNICAL MATERIEL CORP. MAMARONECK, NEW YORK ADAPTER, CONNECTOR RIGHT ANGLE, QDL	
								STOCK SIZE				
								MATERIAL				
								TYPE & TEMPER		HEATTREAT. SPEC.		
TOLERANCES			SCALE: 5-401-70 (1061)					DRAWN		CHECKED	FINAL APPROVAL	
DEC. DIM. ±			MAXIMUM ALLOWABLE TOLERANCES HAVE BEEN DETERMINED AND ANY DEVIATIONS WILL BE CAUSE FOR REJECTION. REMOVE ALL BURRS AND SHARP EDGES					45		SA	SA-102	
FRAC. DIM. ±								FINISH & SPEC. NO.		ELEC. DES. APP		MECH. DES. APP
ANGULAR DIM. ±												