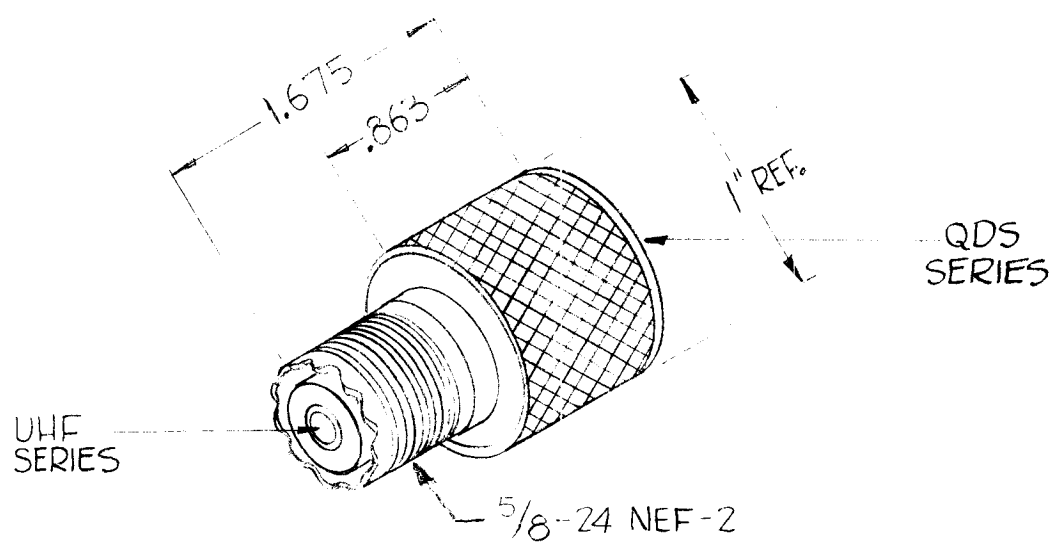


REQ. PER. UNIT	USED ON			SA-101
	MODEL	AS 'Y. N .	DATE	
			5/11/61	



SPECIFICATIONS
 SERIES ~ QDS to UHF
 NO OF CONTACTS ~ (1) ONE EACH ENT.
 TYPE OF CONTACTS ~ QDS MALE, UHF (FL)
ELECTRICAL DATA
 MAX. PEAK OPR. VOLT. ~
 NOM. IMPEDANCE ~

MATERIAL
 EXTERNAL PARTS ~ BRASS
 CONTACTS ~ MALE - BRASS
 FEMALE - BERYLLIUM COPPER
 O'RING ~ SILICONE, RUBBER
FINISH
 EXT. PARTS ~ SILVER PLATE & RHODIUM
 FLASH.
 CONTACTS ~ SILVER PLATE & GOLD
 FLASH.

NOTE ~ NOMENCLATURE WAS P-162

								REQ.	ITEM	PART NO.	DESCRIPTION	SYMBOL
										THE TECHNICAL MATERIEL CORP.		
										MAMARONECK, NEW YORK		
										ADAPTER, CONNECTOR		
										QDS to UHF		
										DRAWN		
										CHECKED		
										FINAL APPROVAL		
										SA-101		
										ELEC. DES. APP		
										MECH. DES. APP		

ISSUE	ITEM	CHANGED FROM	DATE	CH. NO.	DRAFTS	CHECKER	ENG. APP.
TOLERANCES			SCALE: 3-401-70 (3261)				
D. DIM. ±			MAXIMUM ALLOWABLE TOLERANCES HAVE BEEN DETERMINED AND ANY DEVIATIONS WILL BE CAUSE FOR REJECTION. REMOVE ALL BURRS AND SHARP EDGES				
C. DIM. ±							
JLAR DIM. ±							