

DATE <u>10/13/61</u>	TMC SPECIFICATION NO. S - 573		A
SHEET <u>1</u> OF <u>4</u>			
I.J.	TITLE: TEST PROCEDURE RAC-39		
COMPILED	CHECKED		
APPROVED <i>RP</i>			

1. Set up equipment as shown on sheet 2.
2. Use one 68 ohm and one 510 ohm RESISTORS (CARBON  $\frac{1}{2}$ W).
3. All readings taken with Hewlett-Packard Vacuum Tube Voltmeter, Model 410B or equivalent.

DATE 10/23/61  
SHEET 2 OF 4

# TMC SPECIFICATION NO. S

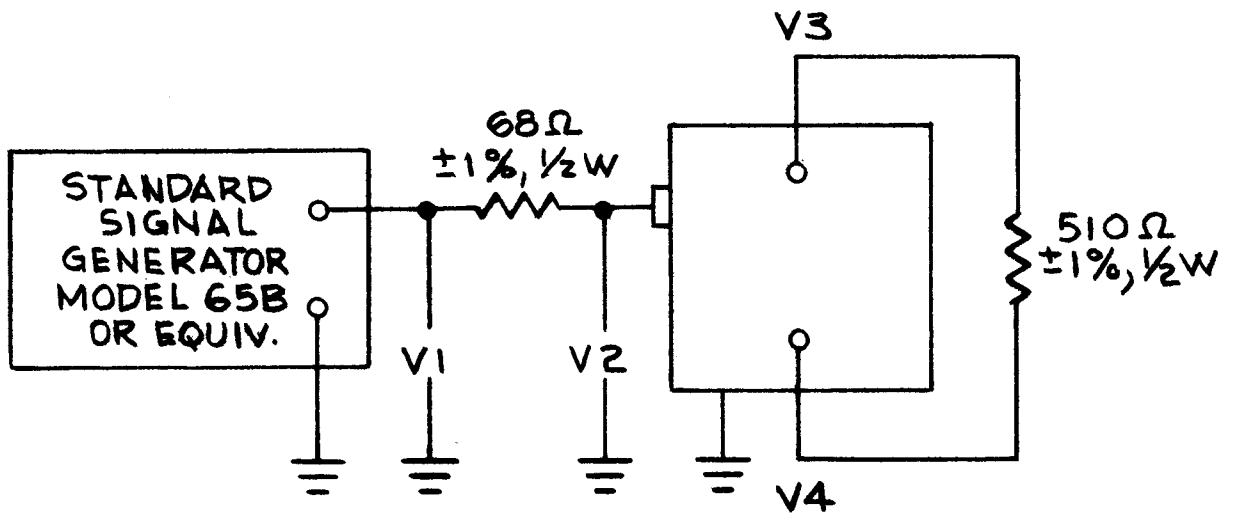
573

A

I.J.  
COMPILED      CHECKED

TITLE: TEST PROCEDURE RAC-39

APPROVED



DATE 10/23/61  
SHEET 3 OF 4

# TMC SPECIFICATION NO. S 573

A

I.J.  
COMPILED      CHECKED

TITLE: TEST PROCEDURE RAC-39

APPROVED

RF VOLTS				
FMC	V1	V2	V3	V4
14	1	.5 <sup>±.02</sup>	.66 <sup>±.01</sup>	.66 <sup>±.01</sup>
21	1	.5 <sup>±.02</sup>	.66 <sup>±.02</sup>	.66 <sup>±.02</sup>
28	1	.5 <sup>±.06</sup>	.66 <sup>±.03</sup>	.66 <sup>±.03</sup>

DATE 10/23/61  
SHEET 4 OF 4

TMC SPECIFICATION NO. S - 573

A

IJ  
COMPILED      CHECKED

TITLE: TEST PROCEDURE RAC-39

APPROVED

# DATA SHEET

RF VOLTS				
f <sub>MC</sub>	V <sub>1</sub>	V <sub>2</sub>	V <sub>3</sub>	V <sub>4</sub>
14				
21				
28				

DATE \_\_\_\_\_  
TESTED BY \_\_\_\_\_

