

DATE 10/23/61
SHEET 1 OF 4

TMC SPECIFICATION NO. S

572

I.J.
COMPILED

CHECKED

TITLE: TEST PROCEDURE RAC-38

APPROVED



1. Set up equipment as shown on sheet 2.
2. Use one 68 ~~ohm~~ and one 510 ohm RESISTORS (CARBON $\frac{1}{2}$ W).
3. All readings taken with Hewlett Packard Vacuum Tube Voltmeter, Model 410B or equivalent.

DATE 10/23/61

SHEET 2 OF 4

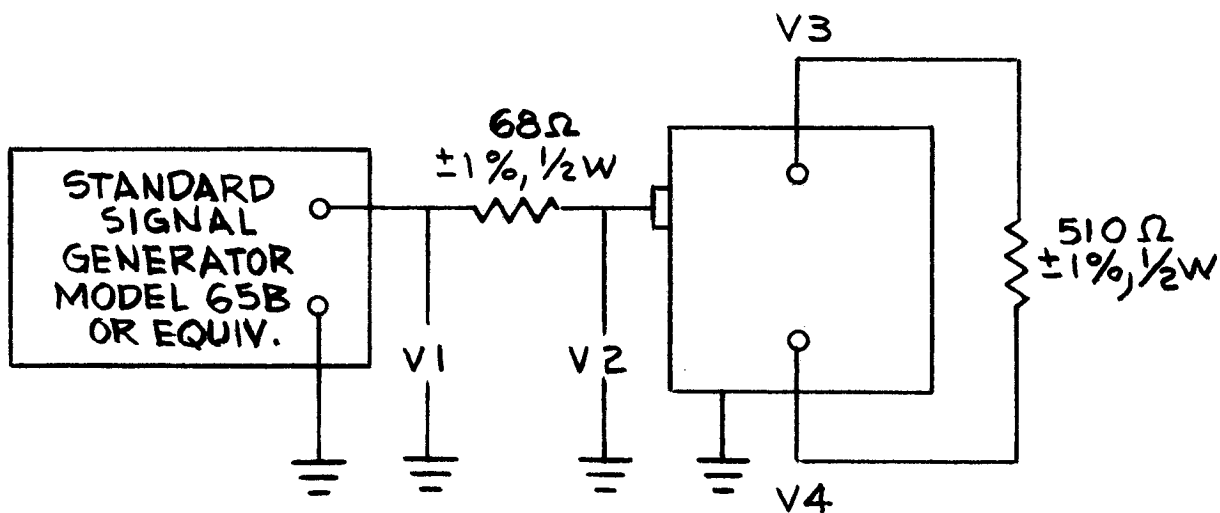
TMC SPECIFICATION NO. S 572

I.J.
COMPILED

CHECKED

TITLE: TEST PROCEDURE RAC-38

APPROVED



DATE 10/23/61

SHEET 3 OF 4

TMC SPECIFICATION NO. S 572

I.J.
COMPILED

CHECKED

TITLE: TEST PROCEDURE RAC-38

APPROVED

RF VOLTS				
FMC	V1	V2	V3	V4
11	1	$.5 \pm .02$	$.66 \pm .01$	$.66 \pm .01$
16	1	$.5 \pm .02$	$.66 \pm .02$	$.66 \pm .02$
22	1	$.5 \pm .06$	$.66 \pm .03$	$.66 \pm .03$

DATE 10/23/61

SHEET 4 OF 4

TMC SPECIFICATION NO. S - 572

IJ
COMPILED

CHECKED

TITLE: TEST PROCEDURE RAC-38

APPROVED

DATA SHEET

R F VOLTS				
f MC	V ₁	V ₂	V ₃	V ₄
11				
16				
22				

DATE _____

TESTED BY _____