

DATE 8/15/60

SH. 1 OF 7

COMPILED BY

TMC SPECIFICATION NO. S 508

REV

D

TITLE: TEST PROCEDURE FOR MODEL HFD

JOB

APPROVED 

1. EQUIPMENT REQUIRED

- a. RF signal generator
- b. RF VTVM

2. PROCEDURE

- 1. Set up test equipment and equipment to be tested as indicated in Figure 1.
- 2. Check each test frequency for voltages indicated in Table I, II, III, or IV, as appropriate.
- 3. Record results obtained on test data sheets for the unit.

DATE 8/15/60
SH. 2 OF 7
COMPILED BY

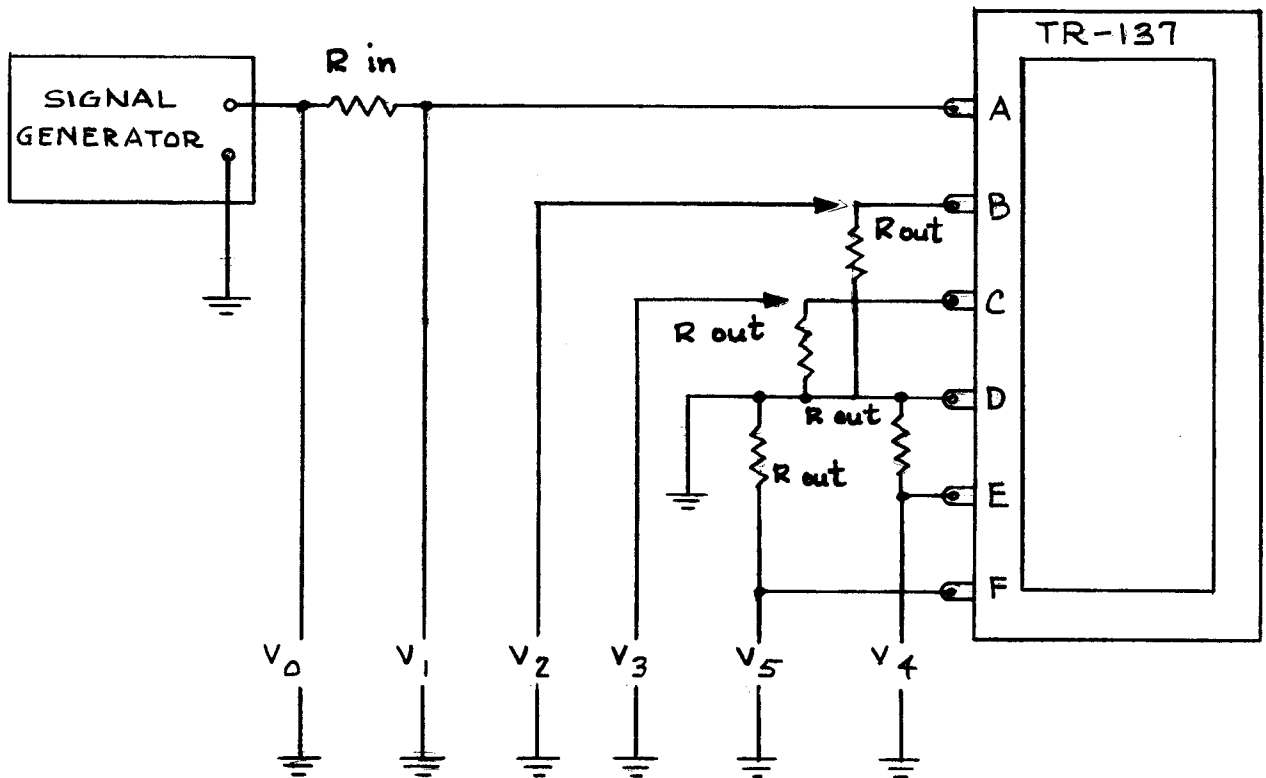
TMC SPECIFICATION NO. S 508

REV.
D

TITLE: TEST PROCEDURE FOR MODEL HFD

JOB

APPROVED



R_{in} and R_{out} = 47 or 68 ohm as specified by customer for
50 or 70 ohm nominal.

FIGURE 1
TEST EQUIPMENT DIAGRAM

DATE 8/15/60
 SH. 3 OF 7
 COMPILED BY _____

TMC SPECIFICATION NO. S⁵⁰⁸

REV. D

TITLE: TEST PROCEDURE FOR MODEL HFD

JOB _____

APPROVED _____

R in = 68 ohm

R out - 68 ohm

RF VOLTS
(LIMITS)

FMC	V ₀	V ₁	V ₂	V ₃	V ₄	V ₅
2	1.0	0.46 to 0.52	0.23 to 0.26	0.23 to 0.26	0.24 to 0.27	0.24 to 0.27
8	1.0	0.46 to 0.52	0.23 to 0.26	0.23 to 0.26	0.24 to 0.27	0.24 to 0.27
30	1.0	0.46 to 0.52	0.23 to 0.26	0.23 to 0.26	0.24 to 0.27	0.24 to 0.27
FREQUENCY RESPONSE			LESS THAN 1.12	LESS THAN 1.12	LESS THAN 1.12	LESS THAN 1.12

NOTE: Ratio of highest to lowest actual voltage at any given output terminal to be less than 1.12 (1 db).

TABLE I

TMC SPECIFICATION

NO. S 508

REV: D

COMPILED:

CHECKED:

APPD:

SHEET 4 OF 7

TITLE:

TEST DATA SHEET HFD TABLE II

$R_{in} = 47\Omega$ $R_{out} = 47\Omega$

RF VOLTS (LIMITS)						
F MC	V_0	V_1	V_2	V_3	V_4	V_5
2	1.0	0.46 To 0.52	0.23 To 0.26	0.23 To 0.26	0.23 To 0.26	0.23 To 0.24
8	1.0	0.46 To 0.52	0.23 To 0.26	0.23 To 0.26	0.23 To 0.26	0.23 To 0.26
30	1.0	0.46 To 0.62	0.23 To 0.26	0.23 To 0.26	0.23 To 0.26	0.22 To 0.24
VOLTAGE RATIO * \longrightarrow			LESS THAN 1.12	LESS THAN 1.12	LESS THAN 1.12	LESS THAN 1.2

DATE _____

TESTED BY _____

* RATIO OF HIGHEST TO LOWEST VOLTAGE FOR ANY SECONDARY.

TMC SPECIFICATION

NO. S 508

REV: **D**

COMPILED:

CHECKED:

APPD:

SHEET **5**

OF 7

TITLE:

TEST DATA SHEET HFD TABLE III

$R_{in} = 68 \Omega$ $R_{out} = 47 \Omega$

RF VOLTS (LIMITS)						
F Mc	V_0	V_1	V_2	V_3	V_4	V_5
2	1.0	0.37 To 0.39	.18 To .20	.18 To .20	.18 To .20	.18 To .20
8	1.0	0.39 To 0.41	.19 To .21	.19 To .21	.19 To .21	.19 To .21
30	1.0	0.42 0.44	.19 To .21	.20 To .22	.19 To .21	.18 To .20
VOLTAGE * RATIO \longrightarrow			<1.12	<1.12	<1.12	<1.12

DATE _____

TESTED BY _____

* RATIO OF HIGHEST TO LOWEST VOLTAGE
FOR ANY SECONDARY.

TMC SPECIFICATION

NO. S 508

REV: **D**

COMPILED:

CHECKED:

APPD:

SHEET **6**

OF **7**

TITLE:

TEST DATA SHEET

HFD

TABLE IV

$R_{in} = 47\ \Omega$

$R_{out} = 68\ \Omega$

RF VOLTS (LIMITS)						
F Mc	V_0	V_1	V_2	V_3	V_4	V_5
2	1.0	0.57 To 0.59	0.28 To 0.30	0.28 To 0.30	0.28 To 0.30	0.28 To 0.30
8	1.0	0.58 To 0.60	0.28 To 0.30	0.28 To 0.30	0.28 To 0.30	0.28 To 0.30
30	1.0	0.60 To 0.62	0.30 To 0.32	0.30 To 0.32	0.28 To 0.30	0.27 To 0.29
VOLTAGE * RATIO			<1.12	<1.12	<1.12	<1.12

DATE _____

TESTED BY _____

* RATIO OF HIGHEST TO LOWEST VOLTAGE
FOR ANY SECONDARY.

DATE 8/15/60
H. 7 OF 7
COMPILED BY _____

TMC SPECIFICATION NO. S 508

REV. D

TITLE: _____ JOB _____

APPROVED _____

TEST DATA SHEET HFD

R in _____ R out _____

F MC	RF VOLTS (ACTUAL)					
	V ₀	V ₁	V ₂	V ₃	V ₄	V ₅
2						
8						
30						
VOLTAGE RATIO < 1.12						

DATE _____

TESTED BY _____

