

DATE 2/20/58
SH. 1 OF 3
COMPILED BY
A.R.B.

TMC SPECIFICATION NO. S-361

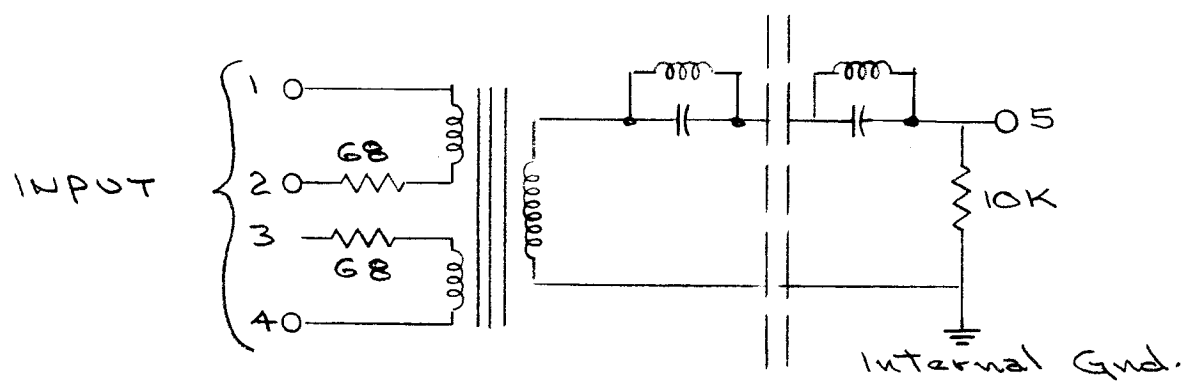
TITLE: PURCHASING SPECIFICATION FX-155 JOB

APPROVED

1. ELECTRICAL:

1.1 CHARACTERISTICS:

- 1.1.1 Pass Band - Output shall be flat within 3 db in the region of 17.35 Kc/s to 20.30 kc/s.
- 1.1.2 Band Rejection - Output must be down at least 60 db at 16.50 kc/s and below and at least 50 db at 22.70 kc/s and above.
- 1.1.3 Insertion Loss - Less than 4 db at point of minimum loss within the bandpass.
- 1.1.4 Temperature Range - The filter shall be constructed so that within the temperature range of 0° C. to 60° C. The specification 1.1.1, 1.1.2 and 1.1.3 shall be met.
- 1.1.5 Drift - The long term drift shall be such that specification 1.1.1, 1.1.2 and 1.1.3 shall be met after a period of two years after delivery.
- 1.1.6 Input Impedance nominal 1000 Ω \pm 15%, Balanced with split winding, 68 Ω $\frac{1}{2}$ W. 10% resistors inserted in each leg of CT winding.



- 1.1.7 Output Impedance - 10,000 Ω unbalanced, terminating resistor in can. $\frac{1}{2}$ W. 10%.

DATE 2/20/58
SH. 2 OF 3

TMC SPECIFICATION NO. S-361-A

COMPILED BY
A.R.B.

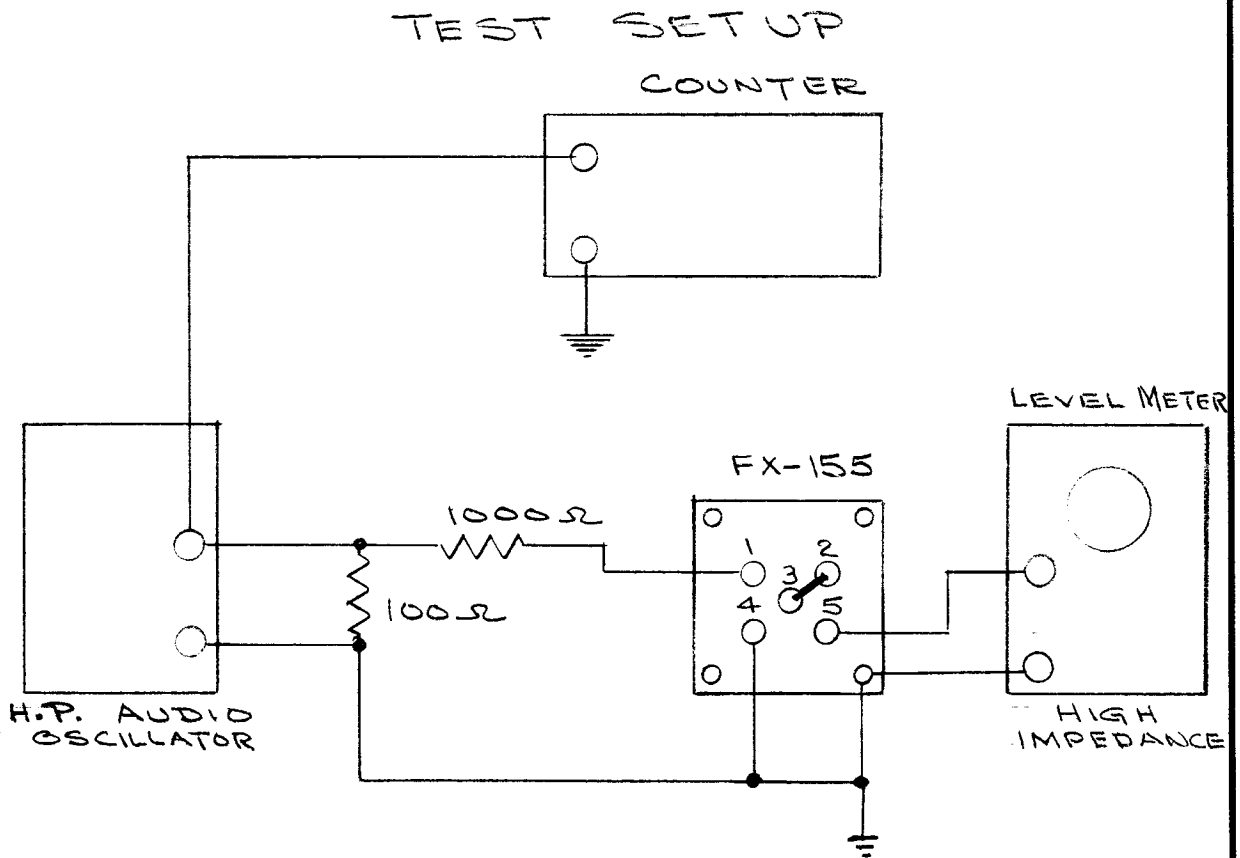
TITLE: PURCHASING SPECIFICATION FX-155

JOB

APPROVED

2. PHYSICAL:

- 2.1 Can dimensions, mounting system, terminal placement and markings as shown on accompanying drawing.
- 2.2 Unit shall be painted TMC gray according to TMC specification S-115 employing a paint which requires baking below 240° F.



FREQ.	db
17.35	≥ 3
20.3	≥ 3
16.5	≤ 60
22.7	≤ 50

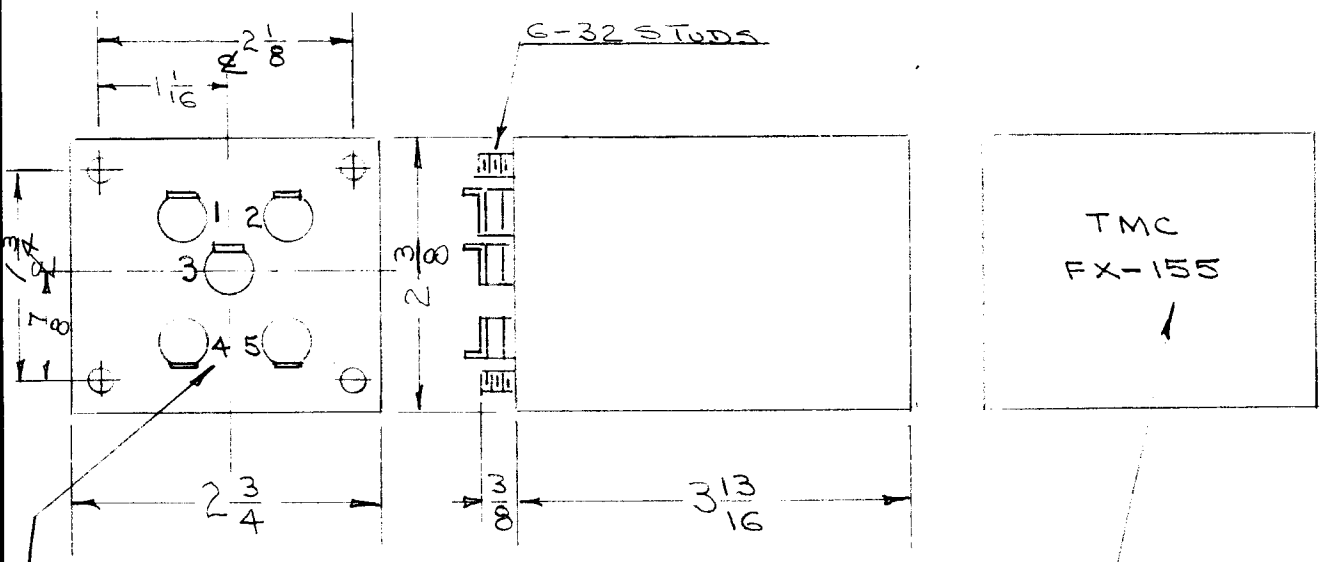
DATE 2/25/58
 SH. 3 OF 3
 COMPILED BY
A.R.B.

TMC SPECIFICATION NO. S-361

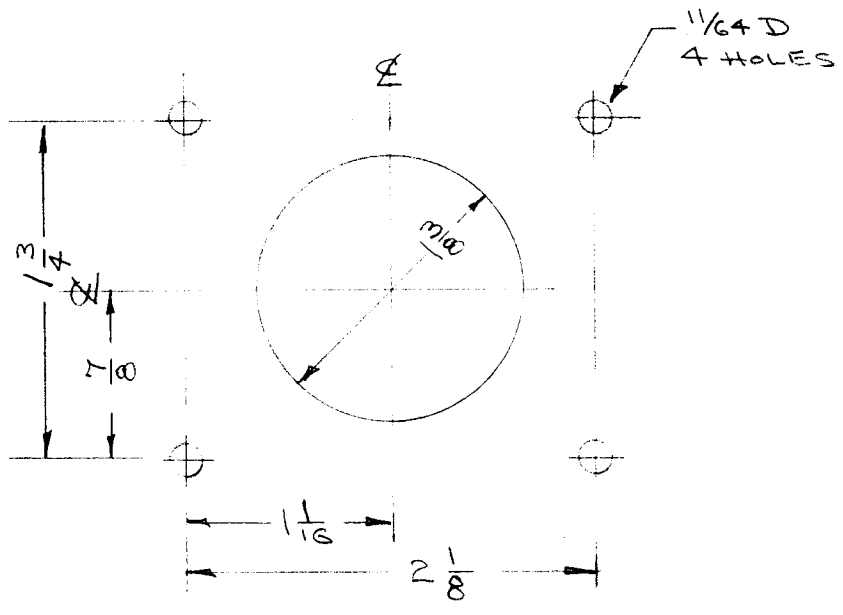
TITLE: PURCHASING SPECIFICATION FX-155

JOB

APPROVED



STAMPING NOTE:
 STAMP AS SHOWN 1/8 HIGH
 BLACK GOTHIC.



DRILLING PLAN

