

DATE 3/14/57  
SH. 1 OF 7  
COMPILED BY  
O. I. P.

TMC SPECIFICATION NO. S-322

TITLE: PRODUCTION TESTING OF THE MODEL TSR

JOB

APPROVED *[Signature]* AJJ

COMPLETE INSTRUCTIONS  
FOR THE  
PRODUCTION TESTING  
OF THE  
MODEL TSR

DATE 3/14/57

SH. 2 OF 7

COMPILED BY

O. I. P.

TMC SPECIFICATION NO. S-322

TITLE: PRODUCTION TESTING OF THE MODEL TSR

JOB

APPROVED

*[Signature]* AJS

I N D E X

	<u>PAGE</u>
1. TEST EQUIPMENT REQUIRED	3
2. TEST INSTRUCTIONS	3
3. GENERAL INSTRUMENT LAYOUT	4
4. TEST SEQUENCE AND PROCEDURE	5
A. GENERAL INSPECTION	5
B. RESISTANCE TEST	5
C. VOLTAGE TEST	5
D. HUM TEST	6
5. SAMPLE TEST REPORT SHEET	7

DATE 3/14/57  
SH. 3 OF 7

TMC SPECIFICATION NO. S-322

COMPILED BY  
O. I. P.

TITLE: PRODUCTION TESTING OF THE MODEL TSR

JOB

APPROVED MO AIT

1. TEST EQUIPMENT REQUIRED

1. Test load as per paragraph 3, General Instrument Layout
2. Simpson Model 260 voltohmmeter or equivalent.
3. Heathkit Model AV2 AC VTVM

2. TEST INSTRUCTIONS

Proceed as outlined in paragraph 4, Test Sequence and Procedure.  
Fill in the blank spaces on the Report Sheets and submit them  
to your supervisor.

DATE 3/14/57  
SH. 4 OF 7  
COMPILED BY  
O.I.P.

# TMC SPECIFICATION NO. S-322

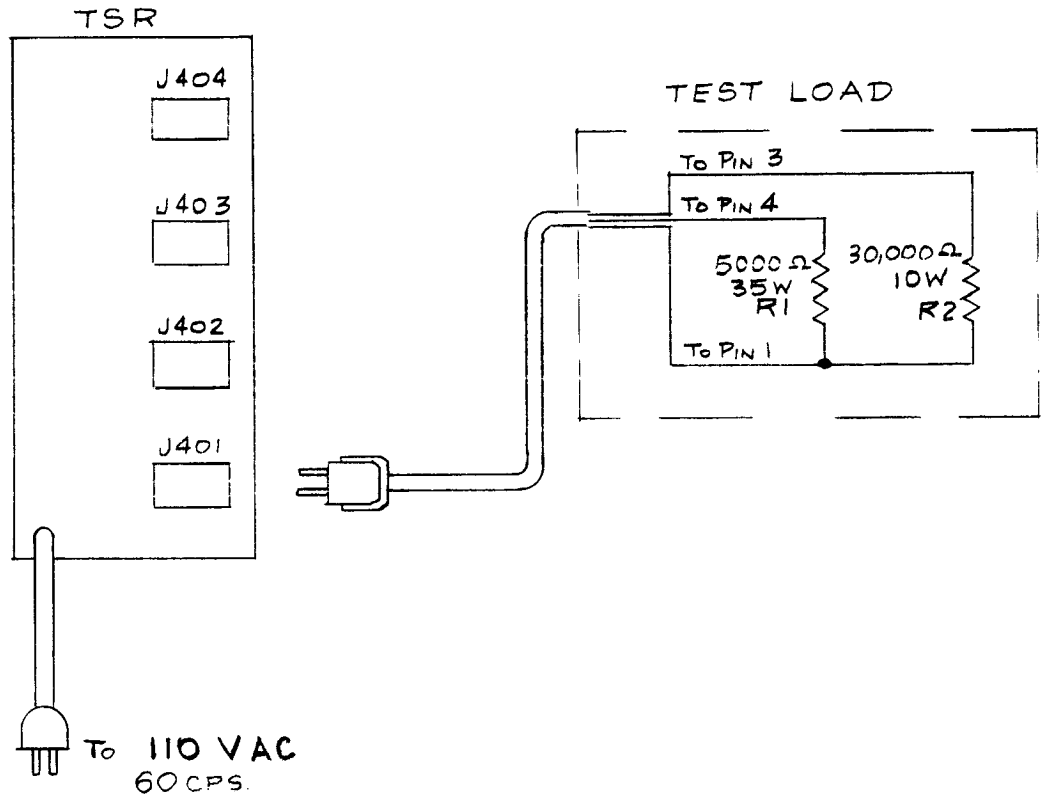
TITLE: PRODUCTION TESTING OF THE MODEL TSR

JOB

APPROVED

ATT

### 3. GENERAL INSTRUMENT LAYOUT



$R_1 = 5,000 \text{ ohms, } 35 \text{ W}$

$R_2 = 30,000 \text{ ohms, } 10 \text{ W}$

SIMPSON  
MODEL 260  
OR EQUIV.

HEATHKIT  
VTVM  
MODEL AV2  
(AC VOLTS)  
OR EQUIV.

DATE 3/14/57  
SH. 5 OF 7

TMC SPECIFICATION NO. S-322

COMPILED BY

O. I. P.

TITLE: PRODUCTION TESTING OF THE MODEL TSR

JOB

APPROVED

*[Signature]* *AJJ*

4. TEST SEQUENCE AND PROCEDURE

A. GENERAL INSPECTION

1. Inspect the unit for obvious mechanical errors.
2. The front panel must swing freely without endangering the cable to be pinched or scratched.
3. Inspect the unit for obvious electrical errors.
4. Be sure that there is no connection to terminal 5 of J-401, J-402, J-403, and J-404.
5. Check connection at C402. The white/orange wire must be connected to terminals 3 and 5; pin 1 must be grounded.
6. Check connection at C403. The white/red wire must be connected to pins 1 and 7. Pins 3 and 5 must be ground d

B. RESISTANCE TEST

1. Remove C402 and C403.
2. With ohmmeter measure resistance to ground (at the TSR)
  - a) Pin 3 of C402 9K-11K ohms
  - b) Pin 1 of C403 23K-27K ohms
3. Replace capacitors C402 and C403

C. VOLTAGE TEST

1. Turn off all four switches. (S-402, S-401, S-403, S-404)
2. Plug in the load into J-401. See paragraph 3, General Instrument Layout.
3. Apply power to TSR and turn on the switch S-401. The pilot light, I-401 must light. The AC power must be 110 VAC

DATE 3/14/57  
SH. 6 OF 7

TMC SPECIFICATION NO. S -322

COMPILED BY

O. I. P.

TITLE: PRODUCTION TESTING OF THE MODEL TSR

JOB

APPROVED

*[Signature]* A. J. J.

4. Measure following voltages to ground:

- a) Pin 4 of J-401, J-402, J-403, and J-404 VDC
- b) Pin 6 of J-401, J-402, J-403, and J-404 VDC
- c) Pin 3 of J-401, J-402, J-403, and J-404 VDC
- d) Pin 2 of J-401 6.3 - 7.0 VAC
- e) Pin 2 of J-402, J-403, and J-404 0 VAC

5. Turn off the switch S-401. The pilot light must go off.

6. Turn on the switch S-402. The pilot light must go on.

7. Pin 2 of J-402 6.3 - 7.0 VAC

7.1 Pin 2 of J-401, J-403, J-404, - 0 VAC

8. Turn off S-402.

9. Turn on S-403. The pilot light must go on.

10. At pin 2 of J-403 6.3 - 7.0 VAC

11. Turn off S-403.

12. Turn on S-404 at pin 2 of J-404 - 6.3 - 7.0 VAC

D. HUM TEST

At pin 4 of J-404 measure with AC VTVM

Disconnect all equipment. The unit must now be placed in its final form with cover plates on etc., and prepared for shipment. One copy of the report that must accompany the unit. Submit the other copy of the Report Sheet to your supervisor.

DATE 3/14/57  
SH. 7 OF 7  
COMPILED BY  
O. I. P.

TMC SPECIFICATION NO. S-322

TITLE: PRODUCTION TESTING OF THE MODEL TSR

JOB

APPROVED

W. A. J.

SAMPLE  
TEST REPORT SHEET  
MODEL TSR

	<u>ACCEPTED</u>	<u>REJECTED</u>
A. GENERAL INSPECTION	_____	_____
B. RESISTANCE TEST	_____	_____
C. VOLTAGE TEST	_____	_____
D. HUM TEST	_____	_____

SERIAL NO. \_\_\_\_\_

DATE \_\_\_\_\_

ACCEPTED \_\_\_\_\_

TESTED BY \_\_\_\_\_