

DATE 11-15-56

SH. 1 OF 3

COMPILED BY
A. R. B.

TMC SPECIFICATION NO. S-3135

TITLE: TEST PROCEDURE MODEL TRC-3500 JOB

APPROVED *ARB*

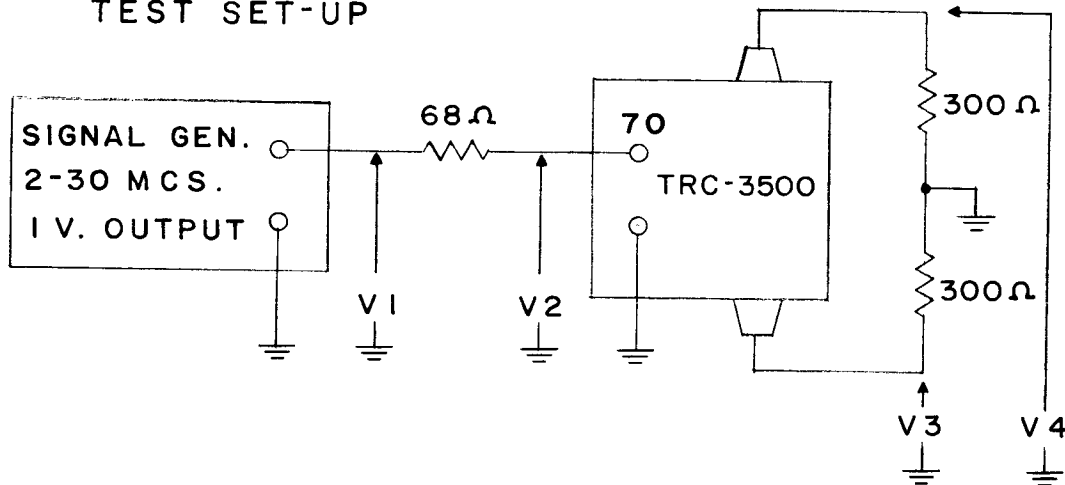
B

OBsolete

USE S-376

I. FREQUENCY RESPONSE:

TEST SET-UP

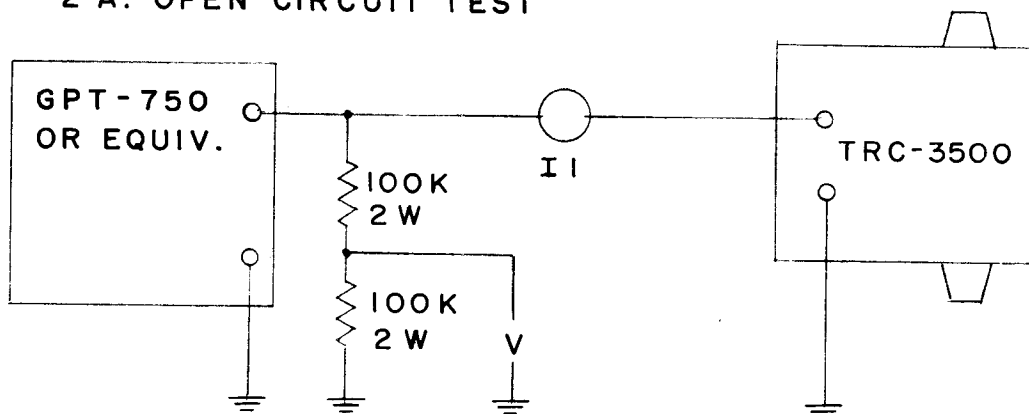


TEST DATA

f. mcs.	V 1	V 2	V 3	V 4
2	1.0	.58	.68	.74
4	1.0	.55	.66	.73
8	1.0	.46	.7	.71
16	1.0	.36	.66	.64
24	1.0	.75	.52	.49

2. POWER TEST (BEFORE AND AFTER POTTING)

2-A. OPEN CIRCUIT TEST



LOAD TRANSMITTER TO V = 200V.

RECORD I1. APPROX. 1.2 A.

AFTER TEST, ALLOW EQUIPMENT TO OPERATE FOR 5 MINUTES.

DATE 11-15-56

SH. 2 OF 3

COMPILED BY
A. R. B.

TMC SPECIFICATION NO. S-313B

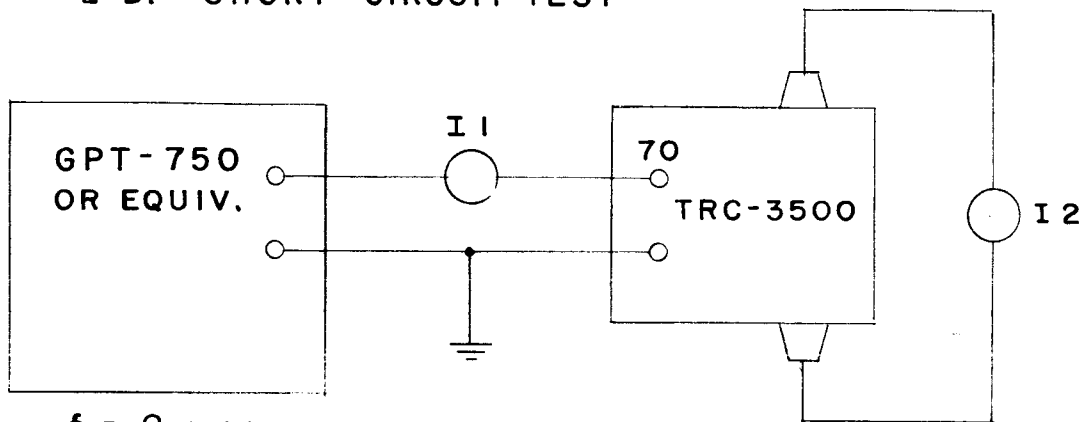
TITLE: TEST PROCEDURE MODEL TRC-3500

JOB

APPROVED *ARB B*

2. POWER TEST (CONT'D)

2-B. SHORT CIRCUIT TEST



f. = 2 mcs

LOAD TRANSMITTER TO 2.5 A. AT I2.

RECORD I1. APPROX. 6.25 A.

DATE <u>11-15-56</u> SH. <u>3</u> OF <u>3</u> COMPILED BY <u>A. R. B.</u>	TMC SPECIFICATION NO. S-313
TITLE: TEST DATA SHEET MODEL TRC-3500	JOB
APPROVED <u>ARB</u>	<u>B</u>

DATE _____ SERIAL NO. _____

I. FREQUENCY RESPONSE.

f mcs	V ₁	V ₂	V ₃	V ₄
2	1.0			
4	1.0			
8	1.0			
16	1.0			
24	1.0			

2-A. OPEN CIRCUIT TEST.

V ₁	I ₁
200	

2-B. SHORT CIRCUIT TEST

I ₂	I ₁
2.5 A	

