

DATE 6-30-61
SHEET 1 OF 10

TMC SPECIFICATION

S -224

REV. 1

COMPILED BY
APPROVED BY *JAM*

TMC R.F. COUPLING TRANSFORMERS

TMC PART NO.	IMPEDANCE Ω		FREQUENCY RANGE	USE	CASE	P.C.	
	TERMINATION 1.	TERMINATION 2.					
TR-001	70 UB	700 B, 200 B	2-30 MC	RAC	B	RA	
TR-002	70 UB	700 UB	2-64 MC	DMK-4	F	RU	
TR-003	75 UB	750 B- CT	100-1600 KC	BAC-2	B	RE	
TR-004	75 UB	350 B	100-1600 KC	BAC-2	B	RE	
TR-005	350 B	750 B- CT	100-1600 KC	BAC-1	B	RE	
TR-006	300 B, 70 UB	300 UB	100-400 KC		F	RE	
TR-007	70 UB	700 B, 200 B	100-1600 KC		F	RE	
TR-008					N.D.		NOT ASSIGNED
TR-009					N.D.		SP 600 J INACTIVE
TR-010	52 UB	475 B	2-30 MC	DAC-9	F	RU	
TR-011	52 B	600 B	100-1600 KC		N.D.	RD	
TR-012	50 UB	300 B	2-30 MC	RAC-11	B	RA	
TR-013	70 B	500 UB	2-30 MC	BAC-3-S20	B	RE	
TR-014	350 B	600 B- CT	20-200 KC	BAC-1-S20	B	RE	
TR-015	70 B	600 B- CT	20-200 KC	BAC-2-S20	B	RE	
TR-016	70 B	350 B	20-200 KC	BAC-2-S20	B	RE	
TR-017	75 B	300 B, 75 B	2-30 MC		B	RA	INACTIVE
TR-018	70 UB	500 UB	0.5-2 MC	BAC-3-S500	B	RE	
TR-019	75 UB		50-200 KC	LFA	C	TB	
TR-020	70 UB	700 UB	3.5 MC	DMK-4	F	RU	
TR-021	300 B, ^{CT} 75 UB	300 UB	2-32 MC	FFR-2	F	RU	
TR-022	70 UB	700 UB	2-30 MC	AMC-6	A	RA	
TR-023	70 UB	700 UB	2-30 MC	AMC-6	B	RA	
TR-024	70 UB	200 UB	2-30 MC		A	RA	
TR-025	5- J1100 UB	70 UB	190 KC	RAC-6	B	RU	

DATE 6-30-61

SHEET 2 OF 10

TMC SPECIFICATION

S-224

REV.

E

COMPILED BY

APPROVED BY

TMC R.F. COUPLING TRANSFORMERS

TMC PART NO.	IMPEDANCE Ω		FREQUENCY RANGE	USE	CASE	P.C.	
	TERMINATION 1.	TERMINATION 2.					
TR-026	70 UB	70 B- 70 B	2-30 MC		A	RA	
TR-027	70 UB	300 B	2-30 MC		A	RA	
TR-028	200 B	700 UB	2-30 MC	AMC-6A	B	RA	
TR-029					N.D.		INACTIVE
TR-030	70 UB	70 B	2-32 MC	DAC	F	RU	
TR-031	70 UB	300 UB	2-32 MC		A	RA	
TR-032	52 UB	600 B	2-32 MC	RAC-24	B	RA	
TR-033	70 UB	300 B - 700 B	2-30 MC		B	RA	
TR-034	50 UB	500 B	2-30 MC	RAC-9	B	RA	
TR-035					N.D.		INACTIVE
TR-036	350 UB	750 UB	2-32 MC	BAC-1-S-1.5	B	RE	
TR-037	75 UB	750 UB	2-32 MC	BAC-1-S-1.5	B	RE	
TR-038	75 UB	350 UB	2-32 MC	BAC-2-S-1.5	B	RE	
TR-039	70 UB	200 B	2-32 MC	DAC-3	F	RU	
TR-040	70 UB	70 UB	2-32 MC		A	RA	
TR-041					N.D.		SEE TR-042
TR-042	WHIP	70 UB	200-800 KC	VRA	B	RB	
TR-043	70 UB	300 UB	2-50 MC		F	RU	
TR-044	WHIP	70 UB	2-32 MC	VRA-2	B	RA	
TR-045			100-200 KC	VRA-3	N.D.		INACTIVE
TR-046			25-100 KC	VRA-4	N.D.		INACTIVE
TR-047	70 UB	CT 150,300,700B	2-30 MC	TRC-100	C	TB	
TR-047A	70 UB	CT 150,300,600,1200B	2-30 MC		C	TB	
TR-048	95 UB	700, 400 B	2-30 MC	RAC-3	B	RA	
TR-049							NOT ASSIGNED

TMC PART NO.	IMPEDANCE Ω		FREQUENCY RANGE	USE	CASE	P.C.	
	TERMINATION 1.	TERMINATION 2.					
TR-050	70 UB	700 UB	2-30 MC	AMC-6B	B	RA	
TR-051	70 UB	700 UB	2-30 MC	AMC-6	A	RA	
TR-052	70 UB	200 B	2-30 MC	AMC-6	A	RA	
TR-053	70 UB	200 B	2-30 MC	AMC-6	A	RA	
TR-054	70 UB	600 B, 200 B	2-30 MC	RAC-20	B	RA	
TR-055			2-30 MC	SPECIAL	A	RA	
TR-056	75 UB	300 B	2-30 MC	SPECIAL	A	RA	
TR-057	75 UB	600 UB	2-30 MC	AMC-6-2 AMC-6-3	A	RA	
TR-058	300 UB	300 UB	2-30 MC	AMC-6	A	RA	
TR-059	75 UB	400 UB	2-30 MC	AMC-6-2 AMC-6-3	B	RA	
TR-060	200 UB	400 UR	2-30 MC	AMC-6-2 AMC-6-3	B	RA	
TR-061	70 B	70 UB	2-32 MC	AMC-6-2	A	RA	TMC (Canada)
TR-062	400 UB	400 UB, 100 UB	2-30 MC	AMC-6-2 AMC-6-3	A	RA	
TR-063	50 UB	400 UB	2-30 MC	AMC-6-2 AMC-6-3	B	RA	
TR-064	50 UB	600 B	2-30 MC	RAC-24	B	RA	TMC (Canada) VERSION OF TR-032
TR-065					N.D.		NOT ASSIGNED
TR-066					N.D.		NOT ASSIGNED
TR-067	200 B	430 UB	2-30 MC	AMC-6-2	B	RA	
TR-068	70 UB	200 B	2-32 MC	DAC-4	F	RU	
TR-069	70 UB	600 B	2-32 MC	RAC-7A	B	RA	
TR-070	70 UB	200 B	2-30 MC				
TR-071	75 UB	400 UB		BAA-1	A	RA	
TR-072					N.D.		NOT ASSIGNED
TR-073	70 UB	60-0-60 B	2-30 MC	AMC-6-5	B	RA	
TR-074	70 UB	330-0-330 B	2-30 MC	AMC-6-5	A	RA	

DATE 6-30-61

TMC SPECIFICATION

S-224

REV.

SHEET 4 OF 10

F

COMPILED BY

APPROVED BY

TMC R.F. COUPLING TRANSFORMERS

TMC PART NO.	IMPEDANCE Ω		FREQUENCY RANGE	USE	CASE	P.C.	
	TERMINATION 1.	TERMINATION 2.					
TR-075	70 UB	300 B		TEST TRANSFORMER		RC	
TR-076	300 B	430 UB	2-30 MC	AMC-6-3/6-2		RA	
TR-077					N.D.		NO INFO
TR-078	70 UB	1000-0-1000 B		AMC-6-5	A	RA	
TR-079	70 UB	510-0-510 B		AMC-6-5	A	RA	
TR-080					N.D.		NO INFO
TR-081					N.D.		PROTOTYPE SEE TR-086
TR-082					N.D.		PROTOTYPE SEE TR-087
TR-083	70 UB	52 B	2-30 MC	DAC-6	F	RU	
TR-084	70 UB	1000-0-1000 B	.1-2 MC		A	RC	
TR-085	70 UB	510 B			N.D.		
TR-086	60 UB	60-0-60	.1-2 MC	LMC-10	B	RC	
TR-087	70 UB	1000-0-1000	.1-2 MC	LMC-10	A	RC	
TR-088	75 UB	516 B	4-15 MC	RAC-34	H	RA	
TR-089	516 B	140 B	4-15 MC	RAC-35	H	RA	
TR-090	52 UB	200 B, 600 B	2-30 MC	RAC-7	B	RA	REPLACED TR-032 IN RAC-7
TR-091	50 UB	200 B	2-30 MC	DAC-14	F	RU	
TR-092	70 UB	600 B, 150 B	2-30 MC	RAC-37	H	RA	
TR-093							
TR-094							
TR-095							
TR-096							
TR-097							
TR-098							
TR-099							
TR-100							

DATE 6-30-61	TMC SPECIFICATION	S-224	REV. F
SHEET 5 OF 10			
COMPILED BY			
APPROVED BY	TMC R.F. COUPLING TRANSFORMERS		

TMC PART NO.	IMPEDANCE Ω		FREQUENCY RANGE	USE	CASE	P.C.	
	TERMINATION 1.	TERMINATION 2.					
TR-101	70 UB	CT 70, 300, 700 B	2-32 MC	HLC-1	B	RC	
TR-102	70 UB	CT 200, 700 B	2-32 MC		B	RA	
TR-103	70 UB	150, 300, 700 B	2-30 MC	TRC -500	D	TC	
TR-104					N.D.		INACTIVE
TR-105					N.D.		INACTIVE
TR-106					N.D.		INACTIVE
TR-107	70 UB	2-70 UB	2-30 MC	TR-107	B	RB	UG-568/U
TR-108	70 UB	700 B	2-30 MC		N.D.		
TR-109	70-300 UB/BAL.	300 UB	100-500 KC		F	RU	
TR-110	VERTICAL ANT.	50 UB 50 UB 50 UB	15-50 KC 20-150 KC 150-550 KC		C	RD	
TR-111	70 UB	7000 UB	200-800 KC	HLC	B	RB	
TR-112	52 UB	800 B	2-30 MC	RAC-12	B	RA	
TR-113	70 UB	300 UB	2-30 MC		A	RA	
TR-114					N.D.		INACTIVE
TR-115					N.D.		INACTIVE
TR-116	300-70 UB BAL.	300 UB	2-32 MC	GPR	F	RU	
TR-117					N.D.		INACTIVE
TR-118	600 B 300 B	52 UB	1.6-30 MC	RAC-15	N.D.	RA	
TR-119	70 UB	300 B	2-32 MC	DAC-2	F	RU	
TR-120	50 UB	70 B	2-30 MC	DAC-6	F	RU	
TR-121	50 UB	200 B			N.D.		INACTIVE
TR-122					N.D.		PROTOTYPE INACTIVE
TR-123	70 UB	70 - 70 UB	2-30 MC		B	RA	TR107 With BNC
TR-124	70 UB	300 UB	2-30 MC		A	RA	
TR-125				TRC-500	N.D.		PROTOTYPE INACTIVE

COMPILED BY APPROVED BY TMC R.F. COUPLING TRANSFORMERS

TMC PART NO.	IMPEDANCE Ω		FREQUENCY RANGE	USE	CASE	P.C.	
	TERMINATION 1.	TERMINATION 2.					
TR-126	35' WHIP	70 UB	2-30 MC	USAF	C	RA	
TR-127	70 UB	1200 UB	2-8 MC		A	RA	
TR-128	600B, 270B	70 UB		NAVY RAC	N.D.		INACTIVE
TR-129	70 UB	1200 UB	2-8 MC	GPT-750	A		OBSOLETE 12-21-55
TR-130	70 UB	200B, 700B	2-32 MC	RAC-30	H	RA	
TR-131	4-50 UB	70 UB	15-2000 KC	LFD-1,2	E	RC	
TR-132	70 UB	200B, 600B	2-32 MC	RAC-30A	H	RA	
TR-133	70-300/UB/BAL.	300 UB/BAL.	2-32 MC		A	RA	
TR-134	4-70 UB	300 B	2-30 MC	HFD	N.D.		PROTOTYPE INACTIVE
TR-135	70 UB	2-70 UB	2-30 MC		B	RA	TR107 WITH UHF
TR-136	35 UB	600 B	2-32 MC	TRC-3500/35	8-775		PROTOTYPE
TR-137	70 UB	4-70 UB	2-30 MC	HFD-1,2	E	RB	
TR-138	70 UB	600 B	2-32 MC		N.D.		REPLACED BY TR-149
TR-139					N.D.		NOT ASSIGNED
TR-140	50 UB	300 UB	2-18 MC		N.D.		
TR-141	75 UB	300 UB	2-32 MC	RTF	F		
TR-142	70 UB	4000 UB	2-8 MC		A	RA	
TR-143					N.D.		PROTOTYPE INACTIVE
TR-144	70 UB	70 BAL	2-32 MC	Modified TR-030	B	RA	TF
TR-145					N.D.		NOT ASSIGNED
TR-146	50 UB 70 UB	13, 50, 200 UB 17, 75, 250 UB	2-30 MC	ATS-50TU ATS-70TU	J	TC	
TR-147	70 UB	300 B	.54-32 MC		A	RA	TF
TR-148	70 UB	700 UB	.54-30 MC	RAC-26	B	RA	TF
TR-149	70 UB	600 BAL	2-32 MC	TRC-3500	G	TD	
TR-150	50 UB	180 UB	2-6 MC			RA	TF

DATE 6-30-61

TMC SPECIFICATION

S- 224

REV

SHEET 7 OF 10

E

COMPILED BY

APPROVED BY

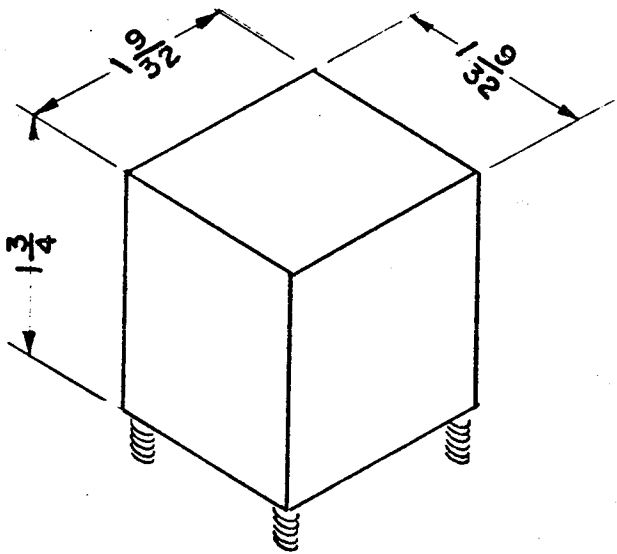
TMC R.F. COUPLING TRANSFORMERS

TMC PART NO.	IMPEDANCE Ω		FREQUENCY RANGE	USE	CASE	P.C.	
	TERMINATION 1.	TERMINATION 2.					
TR-151	50 UB 70 UB	13, 50, 200 UB 17, 70, 250 UB	2-30 MC	ATS-TU-2	J	TC	
TR-152	50 UB	200, 700 B		RAC-33	H	RA	TF
TR-153	50 UB	600 BAL.	2-32 MC	TRC-3500	G	TC	
TR-154	70 UB	350 UB	15-1500 KC	HLC-3		RC	TF
TR-155	70 UB	600 B	2-30 MC	HLC-3,4		RA	TF
TR-156	70 UB	420-350 UB	100KC - 5MC	HLC-3,4,5		RC	TF
TR-157	200 Turns	600 Turns		AK-100	F		RU
TR-158	70 UB	700 B			B	RA	TF
TR-159	70 UB	7000 UB	455 KC		A	RC	TF
TR-160	35' WHIP	70 UB	3-15 MC	VRA-1	B	RA	TF
TR-161	100 KC XTAL FILTER			DVM-2	F		
TR-162	50 UB	100, 200, 500 B	2-30 MC	SPECIAL TRC-500 FOR FAA	D	TC	RESTAMPED TR-103 TF
TR-163	A-2015 70 BAL	500 BAL	2-30 MC	CHG-1	F		RU
TR-164							OBSOLETE USE TR-153
TR-165	A-2093 70 UB	500 BAL	2-30 MC	CHG-2	F		
TR-166	70 UB	680 BAL	3 MC	RTC-2	F		RU
TR-167	A-2162 50 UB	600 BAL	2-28 MC	TRC-5K	K		SPE.
TR-168	A-2207 70 UB	500 BAL	2-30 MC	RAC-13	B		
TR-169	A-2174 50 UB	600 BAL	4-26 MC	TRC-20K	K		
TR-170	50	5000	150KC to 4MC	SBS-1 HFI-1 AFC-2			

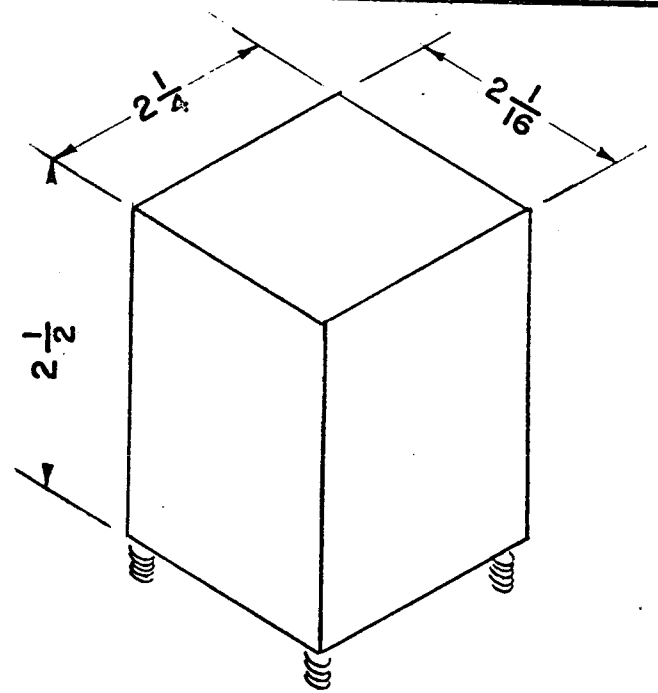
COMPILED BY

APPROVED BY

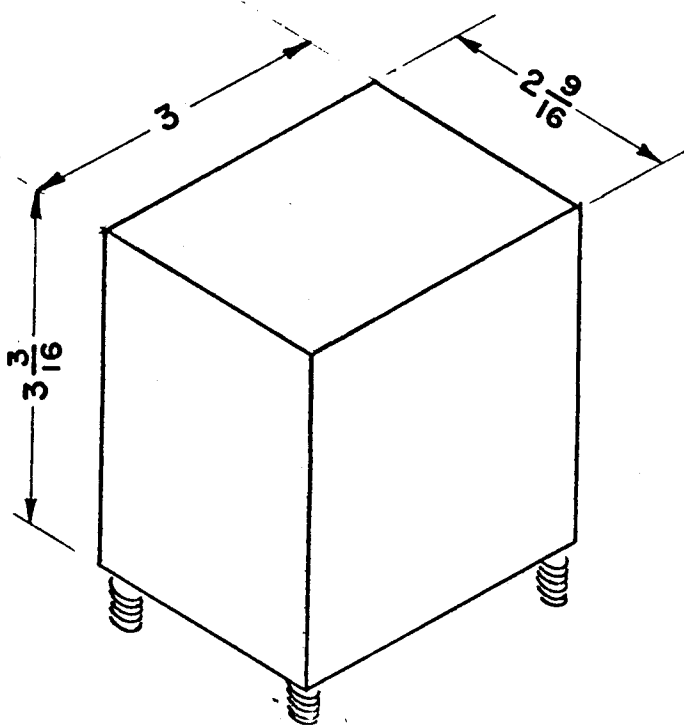
TMC R.F. COUPLING TRANSFORMERS



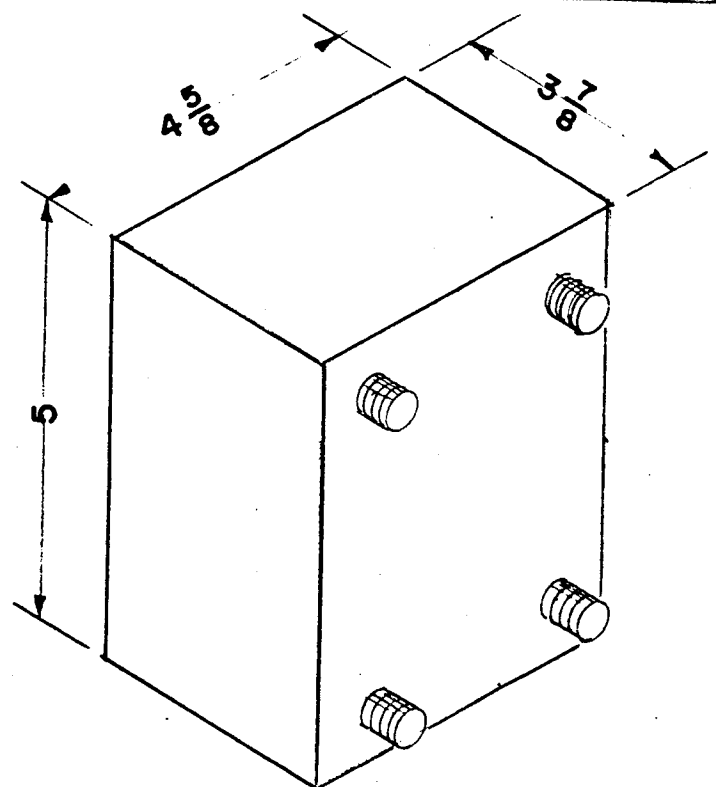
CASE TYPE A



CASE TYPE B



CASE TYPE C



CASE TYPE D

DATE - 6-30-61

SHEET 9 OF 10

TMC SPECIFICATION

S. 224

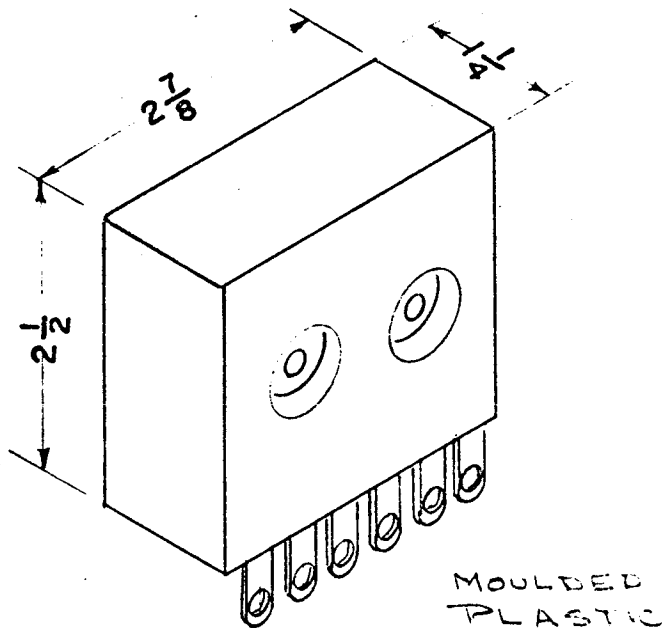
REV.

F

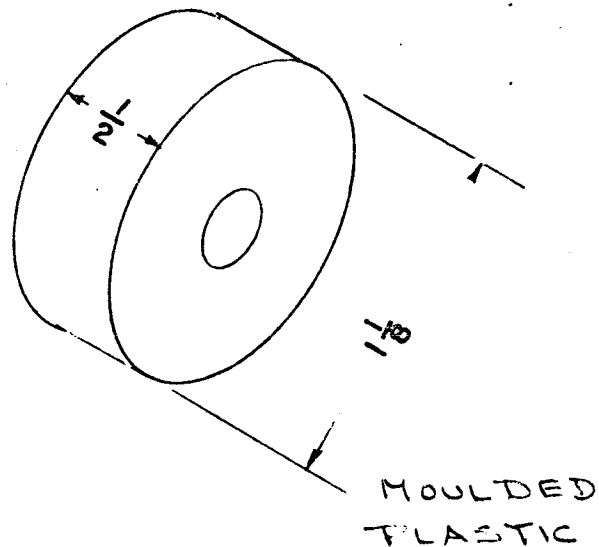
COMPILED BY

APPROVED BY

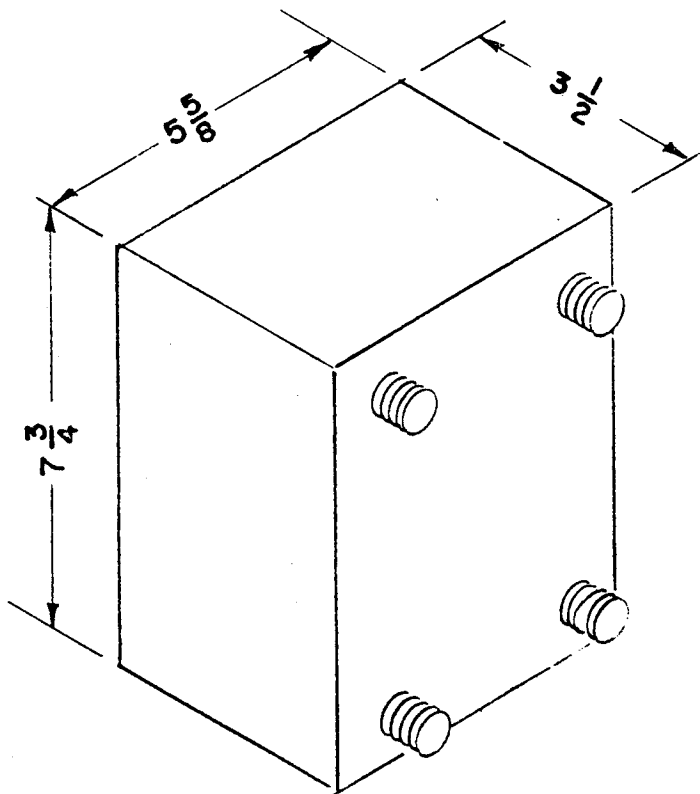
TMC R.F. COUPLING TRANSFORMERS



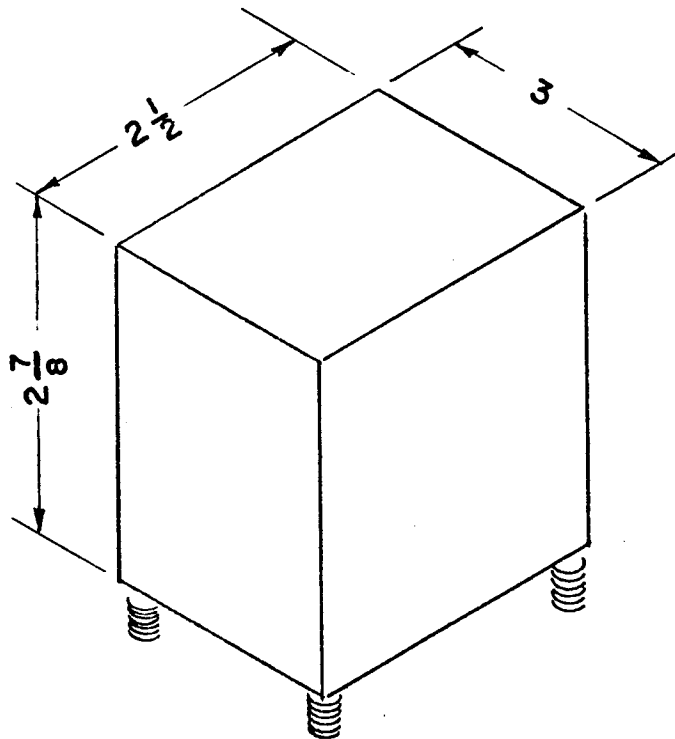
CASE TYPE E



CASE TYPE F



CASE TYPE G



CASE TYPE H

DATE - 6-30-61

SHEET 10 OF 10

TMC SPECIFICATION

S. 224

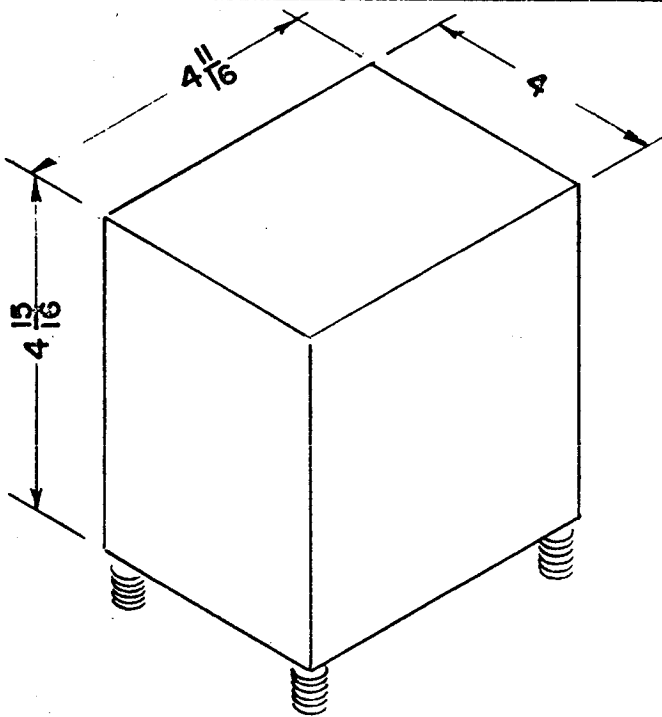
REV.

F

COMPILED BY

APPROVED BY

TMC R.F. COUPLING TRANSFORMERS



SPECIAL CASES
See Individual Assembly Drawings

CASE TYPE J

CASE TYPE K

