

REV:

0

COMPILED:

LA

CHECKED:

APPD:

OR

SHEET

1

OF 9

TITLE:

KIT 386

I. EQUIPMENT EFFECTED:

TMC Transmitter Model HFTA-1KJ2

II. PURPOSE:

Modification and updating of the High Voltage Power Supply AP-152,
Low Voltage Power Supply AP-151, and the Tuned Linear Amplifier TLAA-1K.

III. MATERIAL REQUIRED:

TABLE 1 list the material supplied with this KIT.

REV: 

COMPILED:

CHECKED:

APPD:

SHEET 2 OF 9

TITLE: KIT 386

TABLE 1

Modification Used On	Item	Quantity	Part Number	Description
AP-152	1	1	A-4921	Resistor, with Brackets and Leads
	2	2	SCBP0832BN7	Screw, Machine
	3	2	LWS08MRN	Lockwasher, External
	4	2	NTH0832BN10	Nut
		1	CK-1869	Diagram, Schematic
AP-151	5	2	RW110-5	Resistor
	6	2	WA102-5	Fiber Washer
	7	1	SCBP0832BN40	Screw, Machine
	8	1	LWE08MRN	Lockwasher, External
	9	1	NTH0832BN10	Nut
	10	1	1N645	Diode
	11	1	RC42GF151J	Resistor
	12	2 feet	MWC20(7)U2	Wire
	13	4 feet	LWC24(7)U2	Wire
	14	1 foot	PX830-18-1	Shrink Tubing
	15	8	CU142-10	Tie Wraps
	16	2	TE159-34161	Wire Lug
	17	1	CK-1870	Diagram, Schematic
18	2	FW08HBN	Washer, Flat	
TLAA-1K	19	2 inches	WL100-6	Wire
	20	1	CK-873	Diagram, Schematic

REV: 

COMPILED:

CHECKED:

APPD:

SHEET 4 OF 9

TITLE: KIT 386

V. Modification Procedure (AP-151) continued:

9. Place Item 16 (wire lug) on one end of a 24 inch piece of Item 13 (wire). Connect end with lug to Terminal B of CB301 screen overload. Run other end of lead through grommet hole, dress along main branch, using Item 15 (tie wraps) and connect to pin 1 of TB301.
10. Using a 3 inch piece of Item 13 (wire) connect a jumper between pin 1 and 8 of TB301.
11. Remove A-4877 (Printed Circuit Board) from its socket. Also, remove K1 and K2 from A-4877.
12. Replace R8 on A-4877 with Item 11 (150 ohm 2W resistor).
13. Relocate one end of CR8, from pin 5 of K2 to pin 2 of K2. Refer to Figure 4.
14. Using a small sharp cutting tool, cut approximately a 1/32 of an inch channel between pin 3 of K2 socket and ground land. (Back side of board) Refer to Figure 5.
15. Install Item 10 (diode on A-4877 in the following manner: Connect anode side of diode to pin 3 of K2, connect other side to pin 5 of K2. Refer to Figure 5.
16. Install K1 and K2 relays in sockets and place A-4877 back in its socket.

This completes the Modification to AP-151.

VI. Modification Procedure (TLAA-1K):

1. Remove A-4879 (overload board) from its socket.
2. Remove CR10 (1N645 diode) from board. In its place put a jumper Item 19. Refer to CK-873.
3. Place A-4879 back in its socket.

This completes the Modification to TLAA-1K.

NOTE

It has come to our attention that some TLAA-1K amplifiers have been shipped with excessively long 10-32 screws, which are used to mount the ledex adjusting plate on the PA bandswitch assembly. The three screws protrude past the mounting plate and come within close proximity of the PA tank coil. This can cause arcing. If your unit has long screws, cut them flush with the mounting nut or replace with shorter screws.

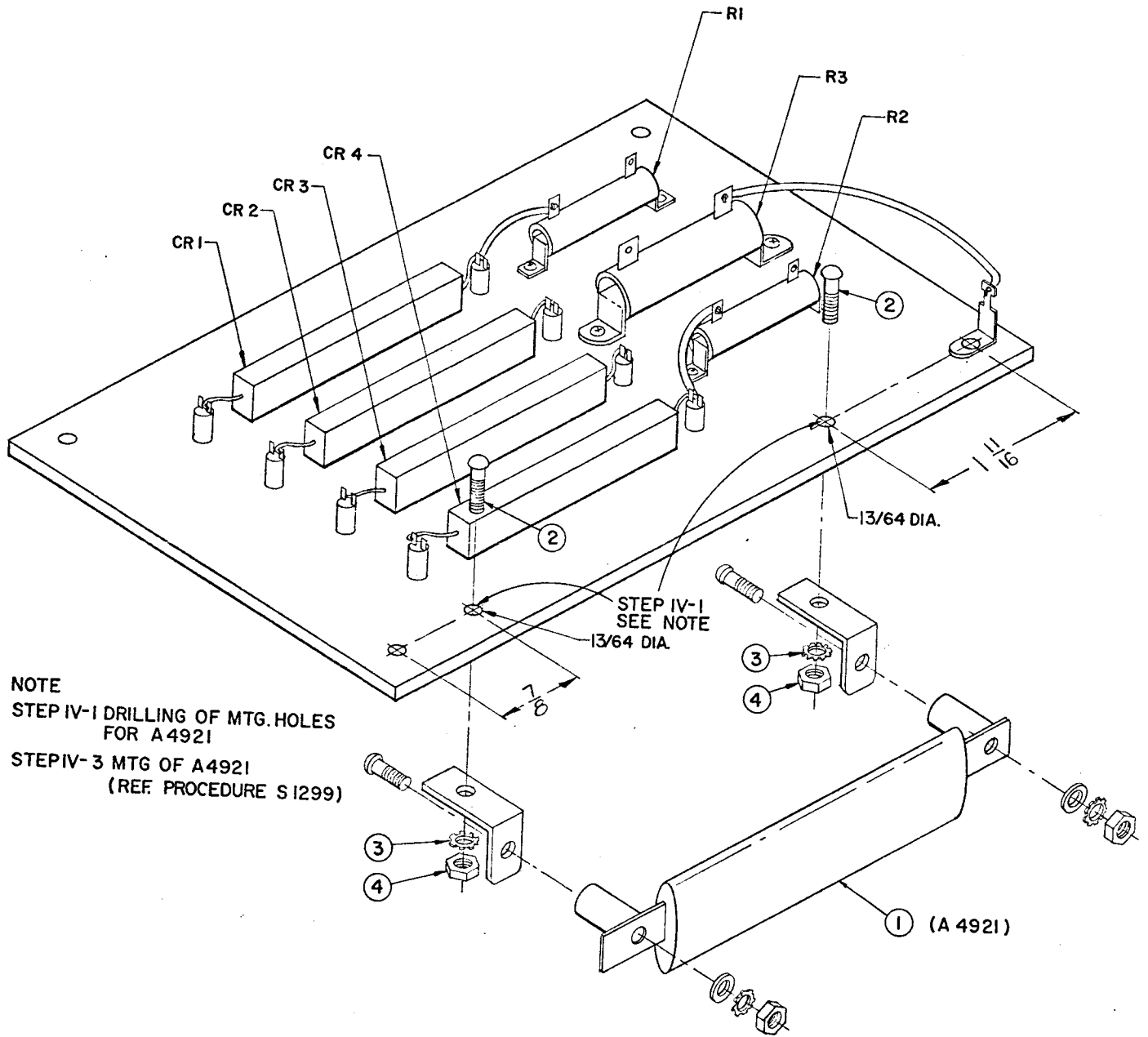
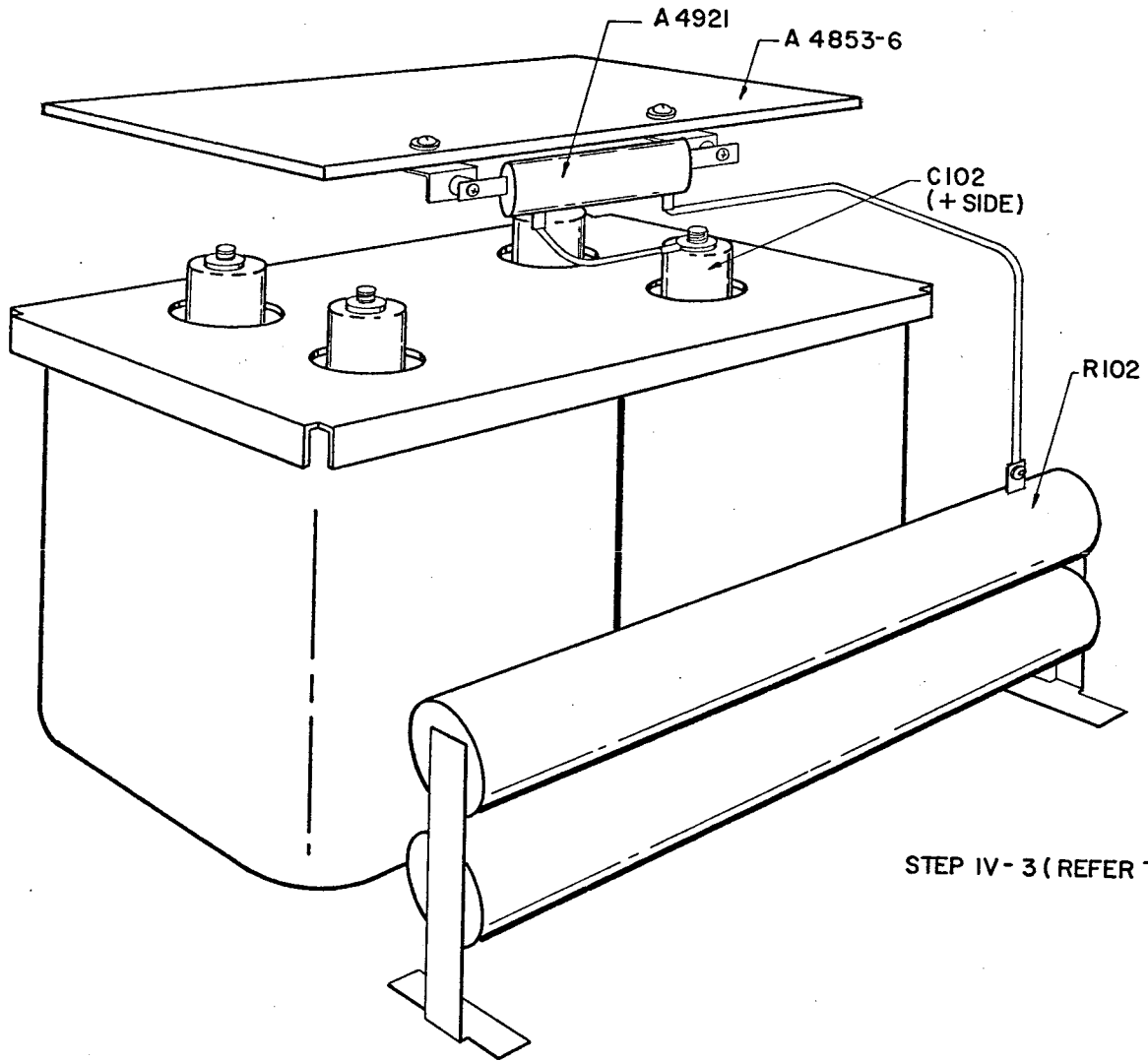


FIGURE 1



STEP IV- 3 (REFER TO S1299)

FIGURE 2

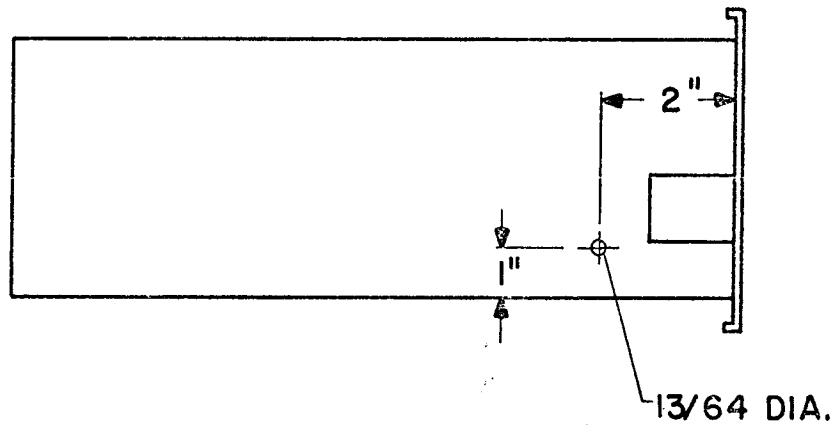


FIGURE 3

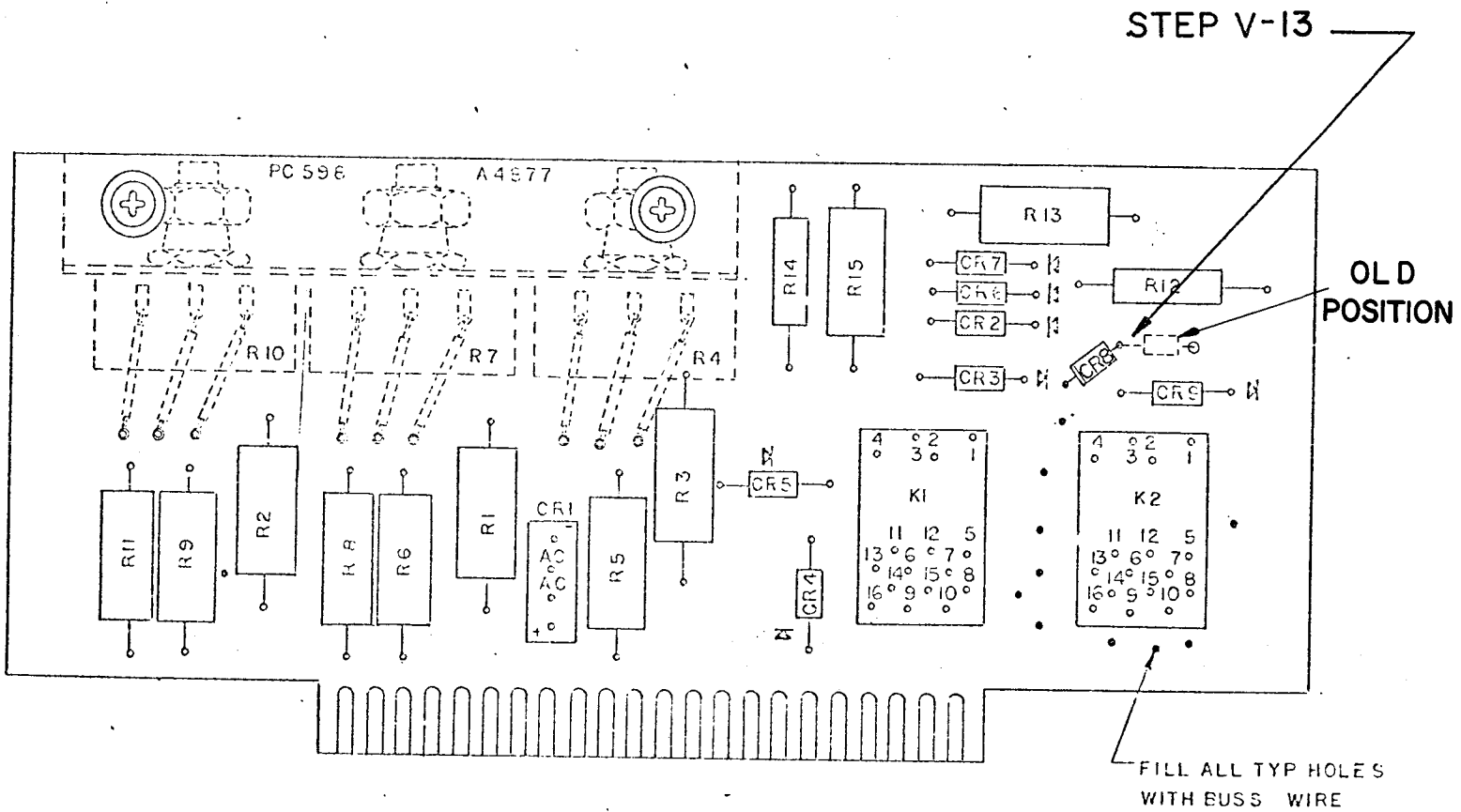


FIGURE 4

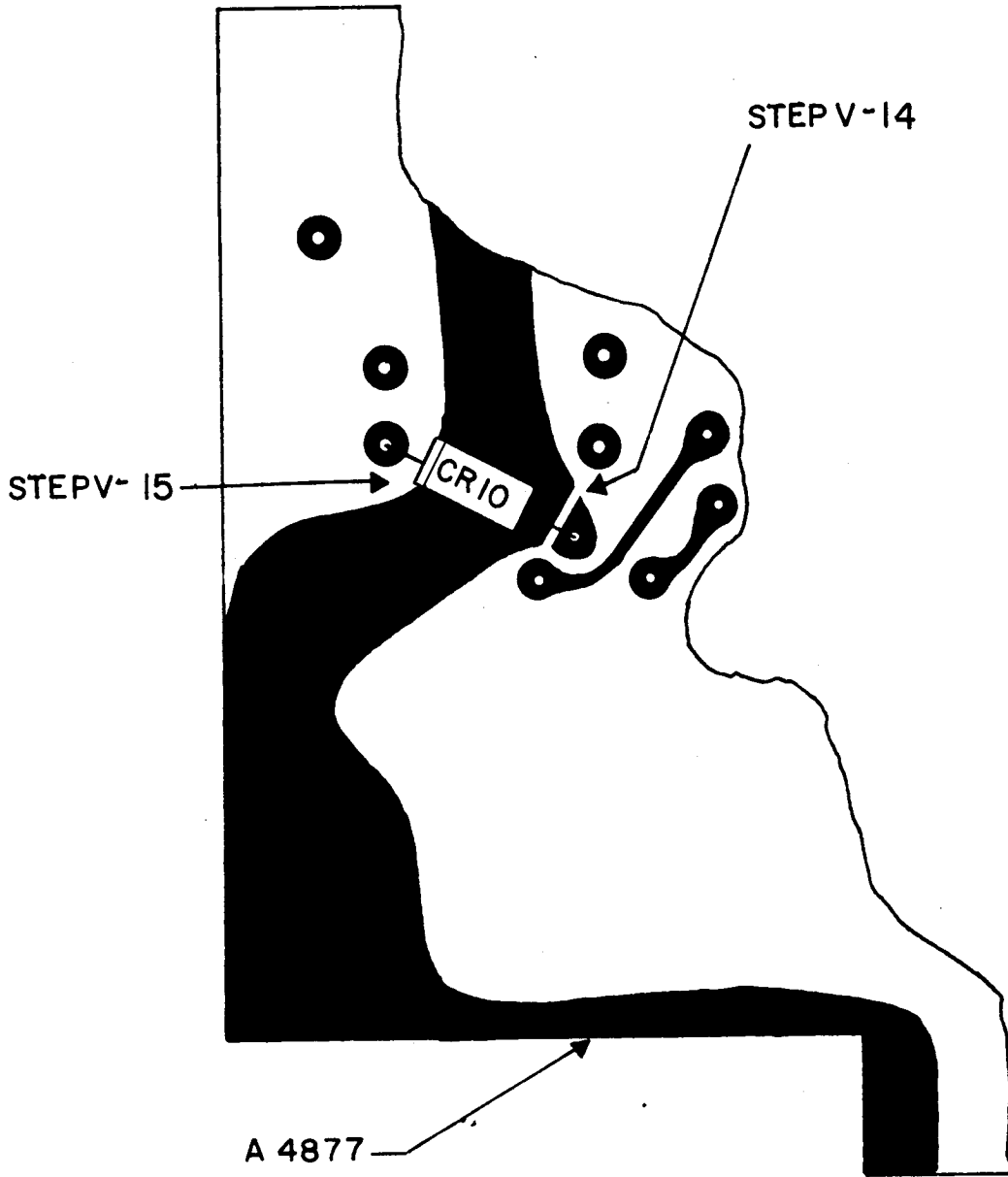


FIGURE 5