

# TMC SPECIFICATION

NO. S -1254

REV:

0

COMPILED: SR

CHECKED:

R.Riano

APPD:

*[Handwritten initials]*

SHEET

OF

TITLE:

jb/ 6/25/69

TEST PROCEDURE

MODEL TRC -5k=50/300

# TMC SPECIFICATION

NO. S-1254

REV:

COMPILED: SR

CHECKED:

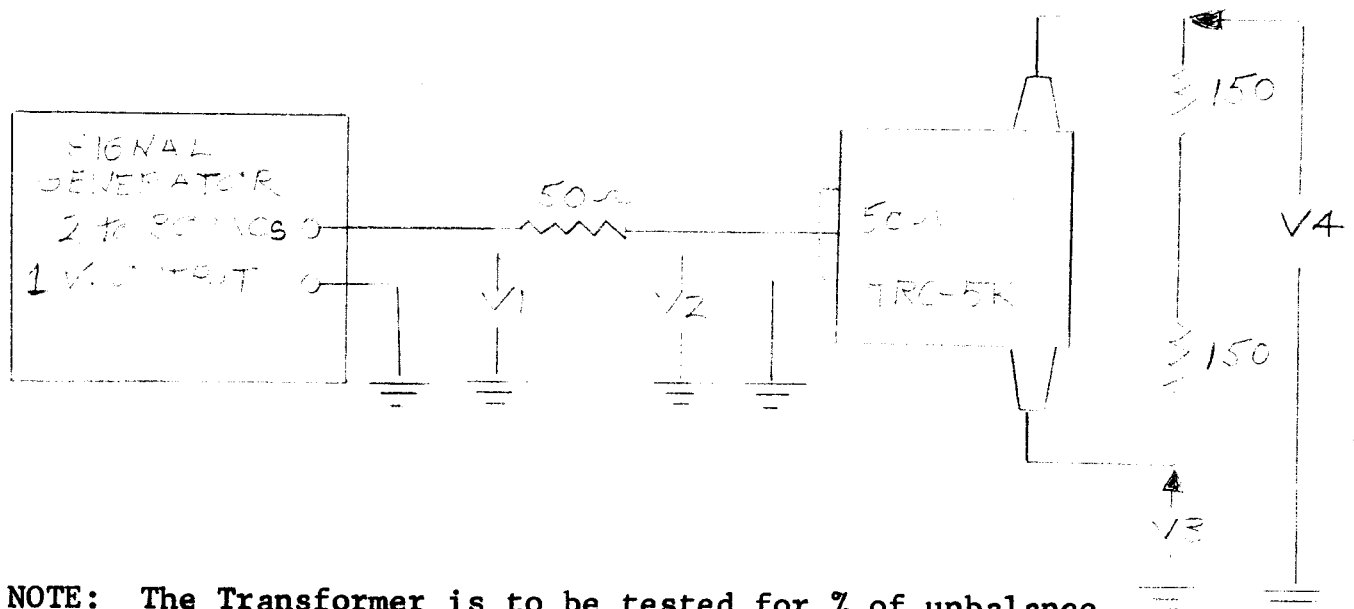
APPD:

SHEET 1 OF 5

TITLE: TEST PROCEDURE MODEL TRC-5K-50/300

## 1. FREQUENCY RESPONSE:

### Test Set-Up



NOTE: The Transformer is to be tested for % of unbalance and impedance measurements out of its case. It is to be tested for open circuit and short circuit after it is cased and potted.

fmc/s	V1	<u>TEST DATA</u>			
		V2	V3	V4	
2.0	1.0				Record V2, V3, and V4 and make sure the % of unbalance of V3 and V4 is less than 10%.
4.0	1.0				
12.0	1.0				
20.0	1.0				
24.0	1.0				
30.0	1.0				

# TMC SPECIFICATION

NO. S-1254

REV:

COMPILED: SR

CHECKED:

APPD:

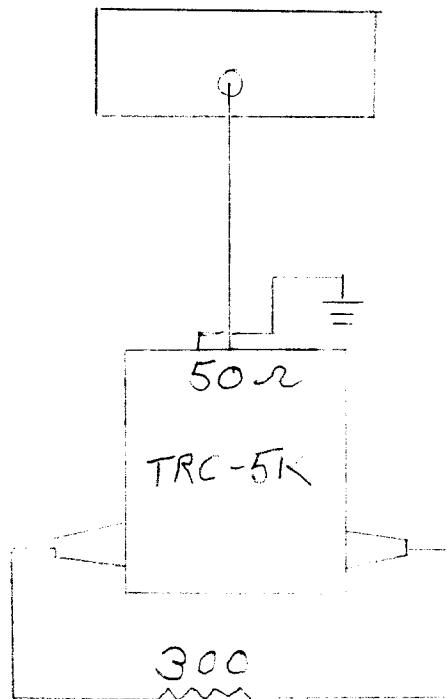
SHEET 2 OF 5

TITLE: TEST PROCEDURE MODEL TRC-5K-50/300

## 2. IMPEDANCE MEASUREMENTS:

### Test Set-Up

RF VECTOR  
IMPEDANCE METER  
MODEL 4815A



### EXAMPLE TEST DATA

FREQ. <u>MC</u>	<u>Z</u>
2	48
4	49
12.0	50
20.0	51
24.0	53
30.0	63

Impedance Readings should read no less than 30 ohms or no more than 90 ohms.

# TMC SPECIFICATION

NO. S-1254

REV:

COMPILED: SR

CHECKED:

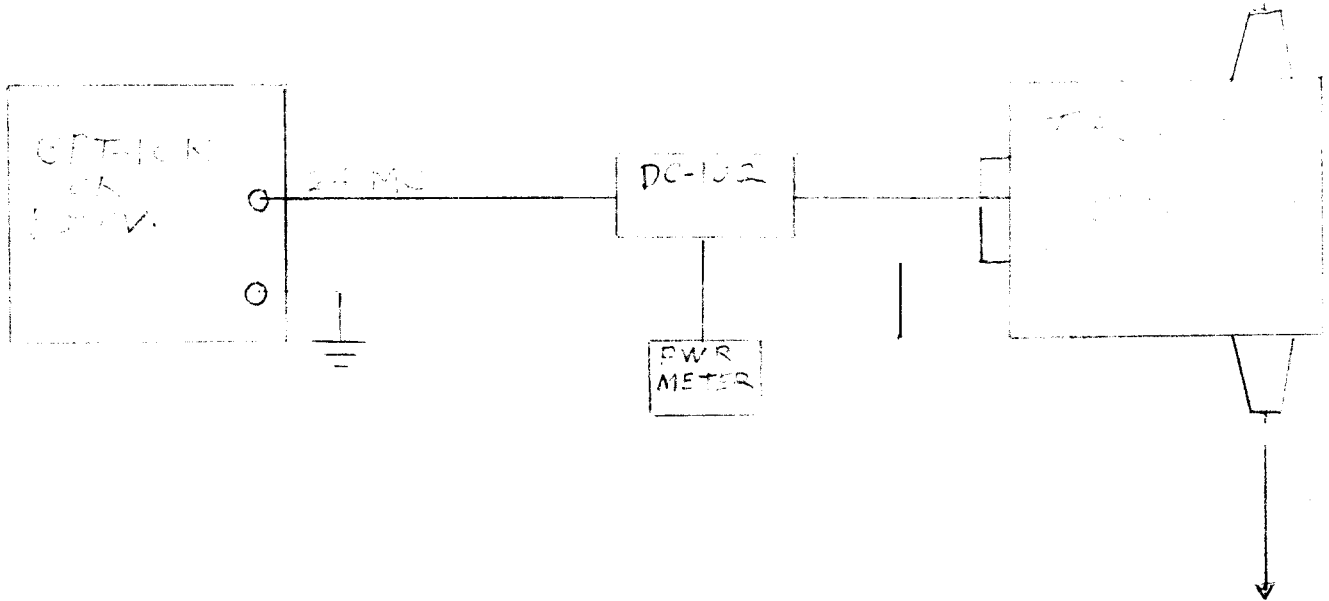
APPD:

SHEET 3 OF 5

TITLE: TEST PROCEDURE MODEL TRC-5K-50/300

## 3. POWER TEST:

### 3-A. Open Circuit Test



Drive transmitter until DC-102 meter reads 5kw. Operate for five minutes on 24 MC.

# TMC SPECIFICATION

NO. S -1254

REV:

COMPILED:

SR

CHECKED:

APPD:

SHEET

4

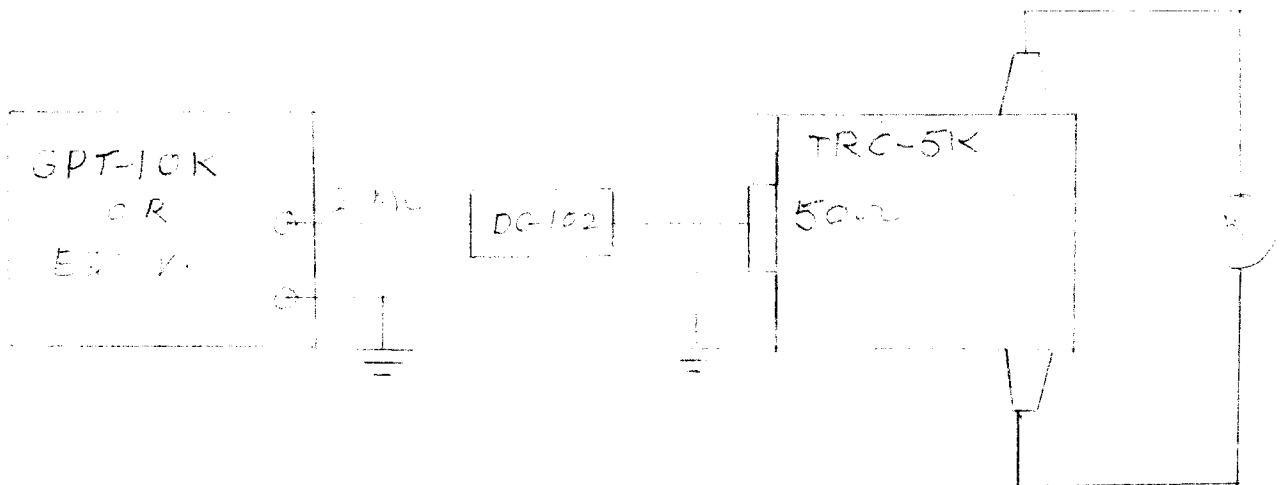
OF 5

TITLE:

TEST PROCEDURE MODEL TRC-5K-50/300

POWER TEST; (Cont)

3-B. Short Circuit Test



At 8 MC load transmitter until 5kw indication is obtained at DC-102. Record 11 and operate for one minute.

# TMC SPECIFICATION

NO. S -1254

REV:

COMPILED: **SR**

CHECKED:

APPD:

SHEET **5** OF **5**

TITLE: **TEST PROCEDURE MODEL TRC-5K-50/300**

**1. FREQUENCY RESPONSE:**

fMcs	V1	V2	V3	V4

**2. IMPEDANCE MEASUREMENTS:**

fmcS	Z

**3. OPEN CIRCUIT TEST:**

**4. SHORT CIRCUIT TEST:**

OUTPUT	Check
5kw	

DC-102	I1
5kw	

