

TMC SPECIFICATION

NO. S 1221

REV:

COMPILED:

CHECKED:

APPD:

SHEET

OF

TITLE:

TEST PROCEDURE

FOR

GPTM-10K-AB

TMC SPECIFICATION

NO. S.1221

REV: 0

COMPILED:

CHECKED:

APPD:

SHEET 2 OF 4

TITLE:

read approximately 600 volts.

- 13 - Place test switch in on position. Note: Scope display should activate within 40 milli secs. also transmitter should come up to full power (5KW).
- 13 transmitter should come up to full power (5KW).
- 14 - Place test switch in off position. Note: Scope display should deactivate within 300 milli secs., also transmitter output should drop to zero.
- 15 - Using field intensity meter model NF-105 and using procedure outlined in paragraph No. 3 of Contract No. M00039-68-C-1536 determine amount of residual noise emitted by transmitter in key up condition. It should be down at least -85 DB from a one milli watt refer nce level.
- 16 - Repeat step 15 at 15 MHZ.

TMC SPECIFICATION

NO. S 1221

REV: 0

COMPILED:

CHECKED:

APPD:

SHEET 3

OF 4

TITLE:

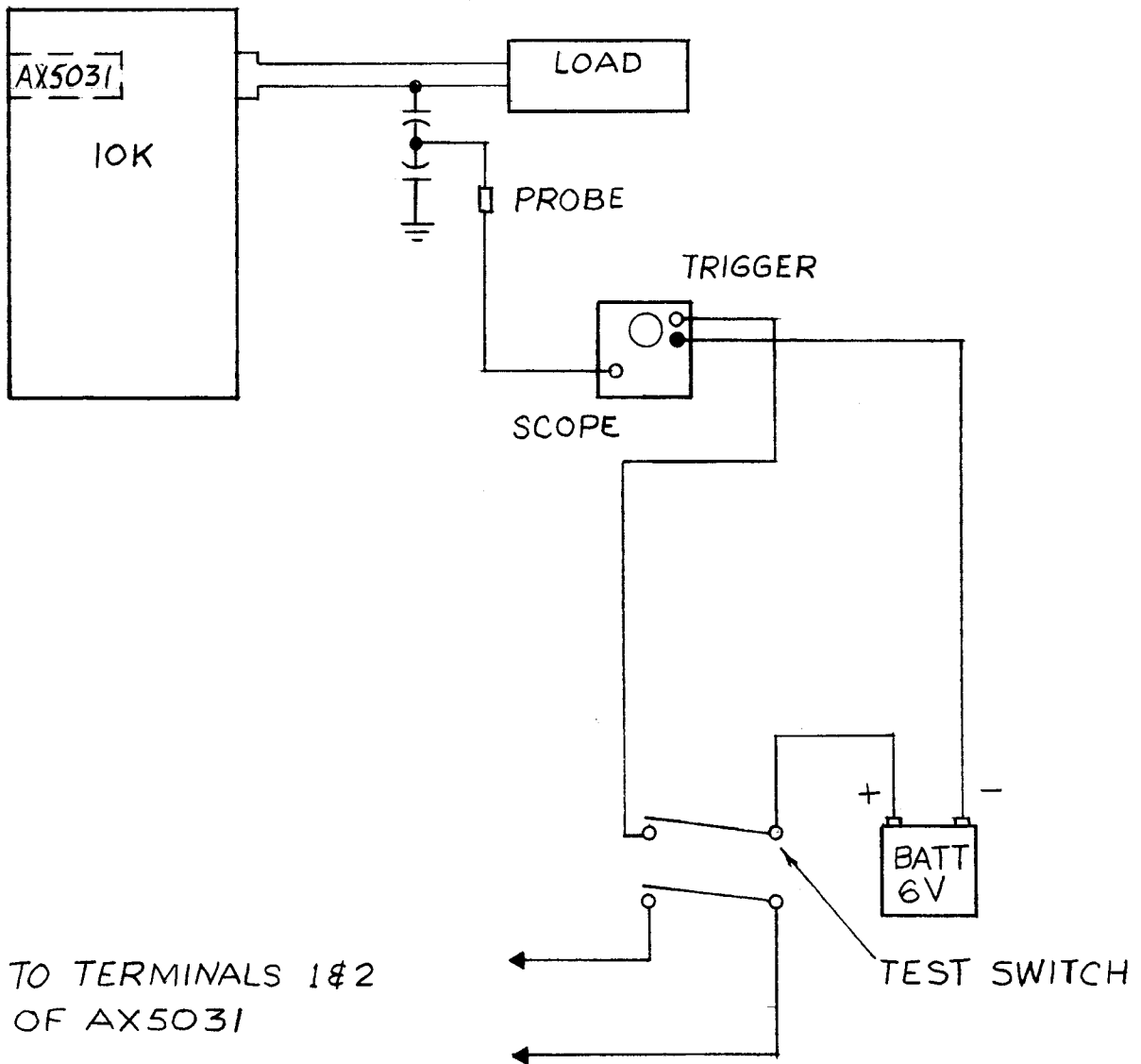


FIG. 1

TMC SPECIFICATION

NO. S 1221

REV: 0

COMPILED:

CHECKED:

APPD:

SHEET 4 OF 4

TITLE:

TEST DATA SHEET

PTT ATTACK TIME

MS

PTT DECAY TIME

MS

KEY-UP RESIDUAL NOISE AT 6 MC

DB

15 MC

DB

TESTED BY: _____

DATE: _____

MFG. NO. _____

SERIAL NO. _____

