

TMC SPECIFICATION

NO. S - 1126

REV: 0

COMPILED: AC

CHECKED: *[Signature]*

APPD: *[Signature]*

SHEET 1 OF 5

TITLE:

Typed by mtp 7/26/66

GPT-40K HARMONIC SUPPRESSION (Special)

KIT-244A

TMC SPECIFICATION

NO. S -1126

REV:

COMPILED: AC

CHECKED:

APPD:

SHEET 2 OF 5

TITLE: GPT-40K HARMONIC SUPPRESSION (Special) KIT-244A

Typed by mtp 7/26/66

I. EQUIPMENT AFFECTED

A. GPT-40K Transmitter set, radio (special).

II. PURPOSE

Modification to provide Harmonic Suppression at 27180 KC's.

III. MATERIALS SUPPLIED

<u>ITEM</u>	<u>QTY.</u>	<u>PART #</u>	<u>DESCRIPTION</u>
A.	1	CL-403-1	Coil, Harmonic
B.	1	CL-403-2	Coil, Harmonic
C.	2	CC-109-24	Cap, Ceramic
D.	3	M S -2665-16	Connector, Bkt., Elec.
E.	1	M S -3284-46	Strap, Elec.
F.	1	PX-370-37-7-7 1/2	Insl., Slvg., Teflon
G.	1	NP-854	Warning Plate
H.	1	1/16", Alum.	Shipping Plate

IV. TOOLS REQUIRED

- A. Screwdriver, 4" blade, std.
- B. Screwdriver, 4" blade, Phillips #2
- C. Wrench, Open end, 7/16" - 1/2"

V. PROCEDURE

- A. Remove all power from GPT-40K.
- B. Remove the front window from the final amplifier section, Save all hardware for remounting.
- C. Remove the existing coils from switching board and d-c coupler.

TMC SPECIFICATION

NO. S-1126

REV:

COMPILED: AC

CHECKED:

APPD:

SHEET 3 OF 5

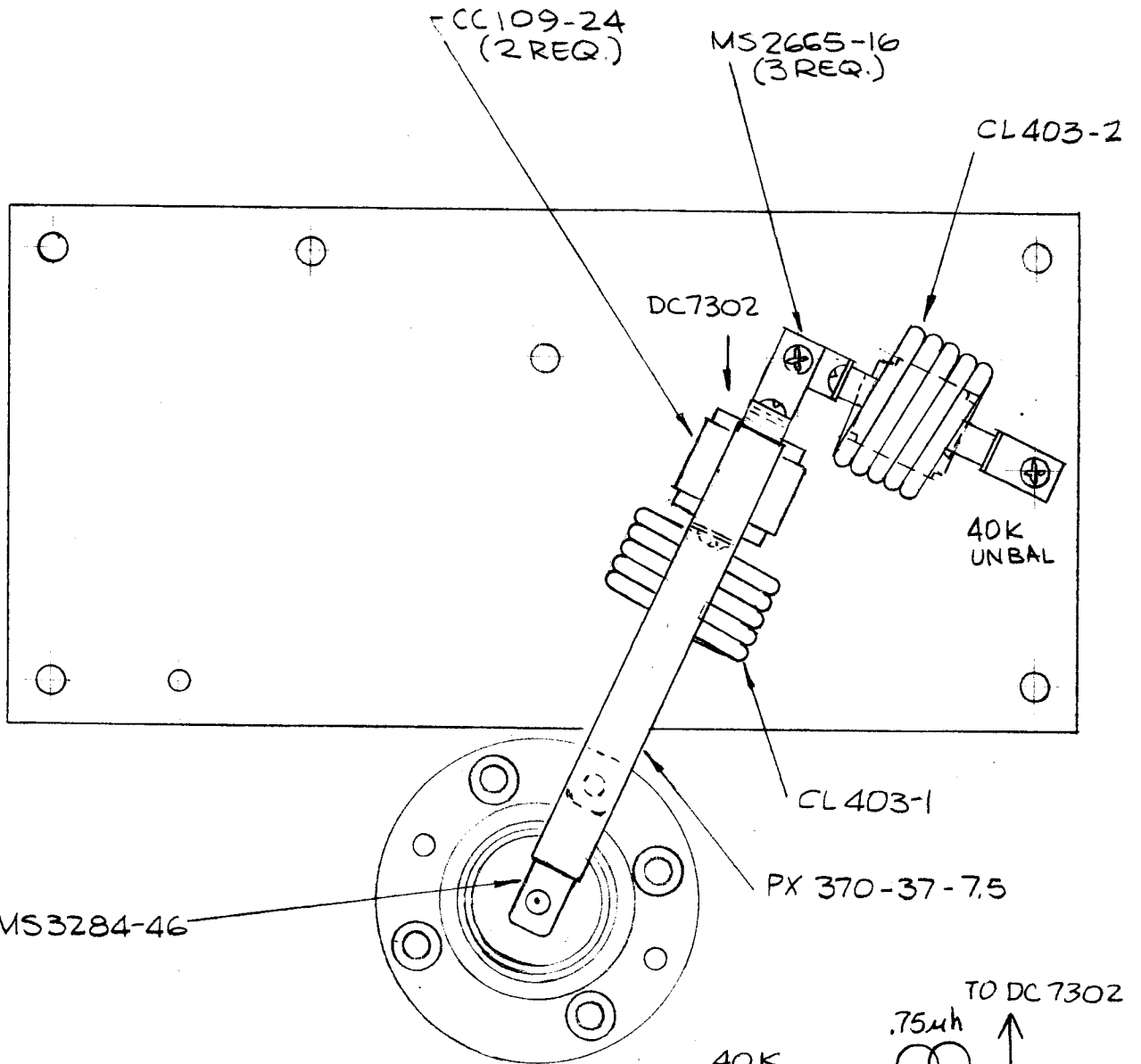
TITLE: GPT-40K HARMONIC SUPPRESSION (Special) KIT-244A

Typed by mtp 7/26/66

V. PROCEDURE - Cont'd

- D. Mount the CL-304-1 and -2, strap MS-3284-46 and brackets (MS-2665-16) Sheet 3.
- E. Attach NP-854 to a suitable conspicuous area on transmitter.
- F. Modification complete. Check and restore power to equipment.

DATE 7/26/66		TMC SPECIFICATION NO. S 1126
SHEET 4 OF 5		
AC COMPILED	CHECKED	TITLE: HARMONIC REDUCTION
APPROVED		KIT-244-A



FILTER, BANDPASS, REJECTION.
 2nd HARMONIC REJECTION
 28 DB AT 27.180 MHz,
 PASSBAND 2.0-14 MHz

