

DATE 10-30-53

SH. 1 OF 1

COMPILED BY  
A-R-B

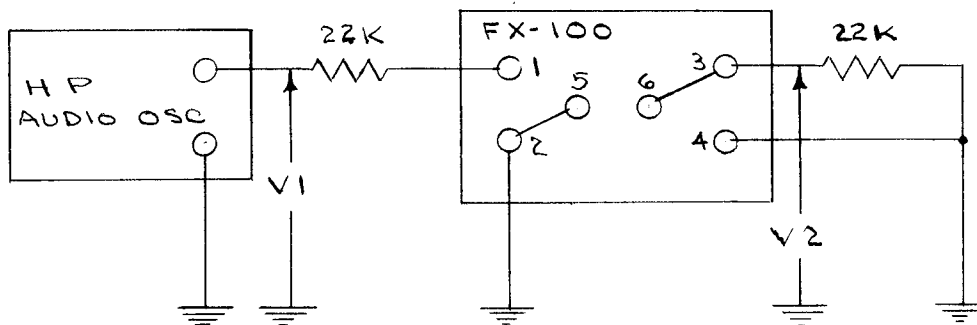
## TMC SPECIFICATION NO. S-187

TITLE: TEST PROCEEDURE FX-100 1500 cycle carrier

JOB

APPROVED *aps*

Freq. cps	V2(volts)
20	3.9
50	3.9
100	3.9
200	3.9
400	3.9
750	3.7
800	3.6
900	3.31
1000	2.91
1100	2.41
1200	1.82
1300	1.31
1400	.92
1500	.58
1800	.017
2000	.11
2500	.21
3000	.23
3500	.19
4000	.15
4500	.112
5000	.1
5500	.066
6000	.058
7000	.027
8000	.0072
9000	.0066
10,000	.018
12,000	.033
15,000	.016

KEEP V<sub>1</sub> AT 8 VOLTS