

DATE 11-11-52SH. 1 OF 1

COMPILED BY

M.H.S.

TMC SPECIFICATION NO. S - 130

TITLE: PRODUCTION TEST-TRANSFORMER, R.F. (TR 019)

JOB 109

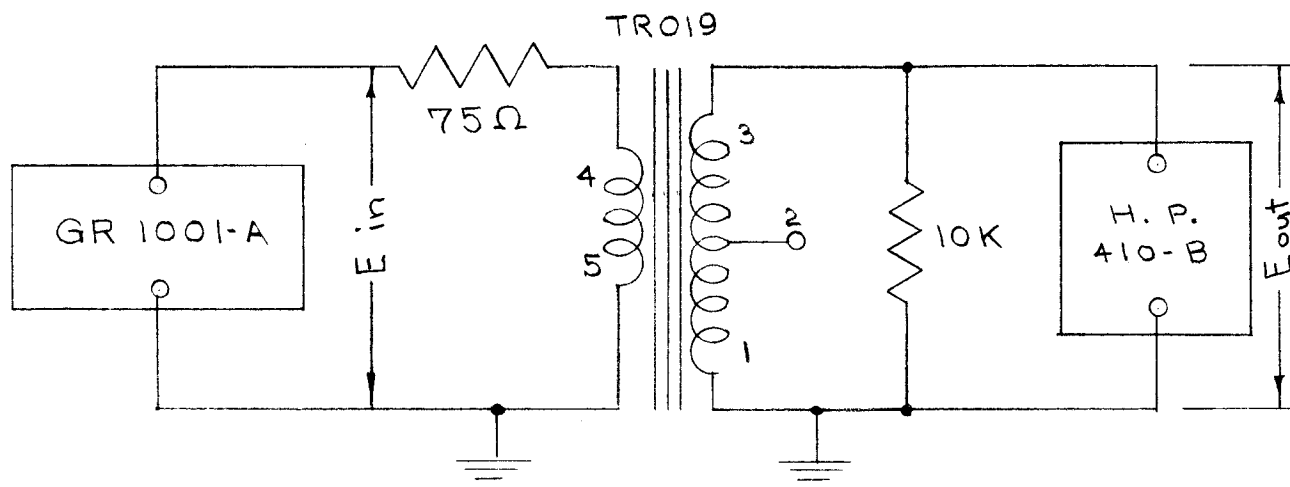
APPROVED A. J. J. *AJJ*

Equipment:

- 1-Signal Generator, General Radio Model 1001-A or equivalent
- 1-V.T.V.M., Hewlett Packard Model 410-B or equivalent having a low input capacitance
- 1-10K ohm, 1-75 ohm carbon resistor, any wattage

Procedure:

Using the following diagram check output at 50KC & 200KC with an input voltage of 1.5V.



Output Voltage — at 50 KC and 200 KC must be greater than 7.5 v rms.