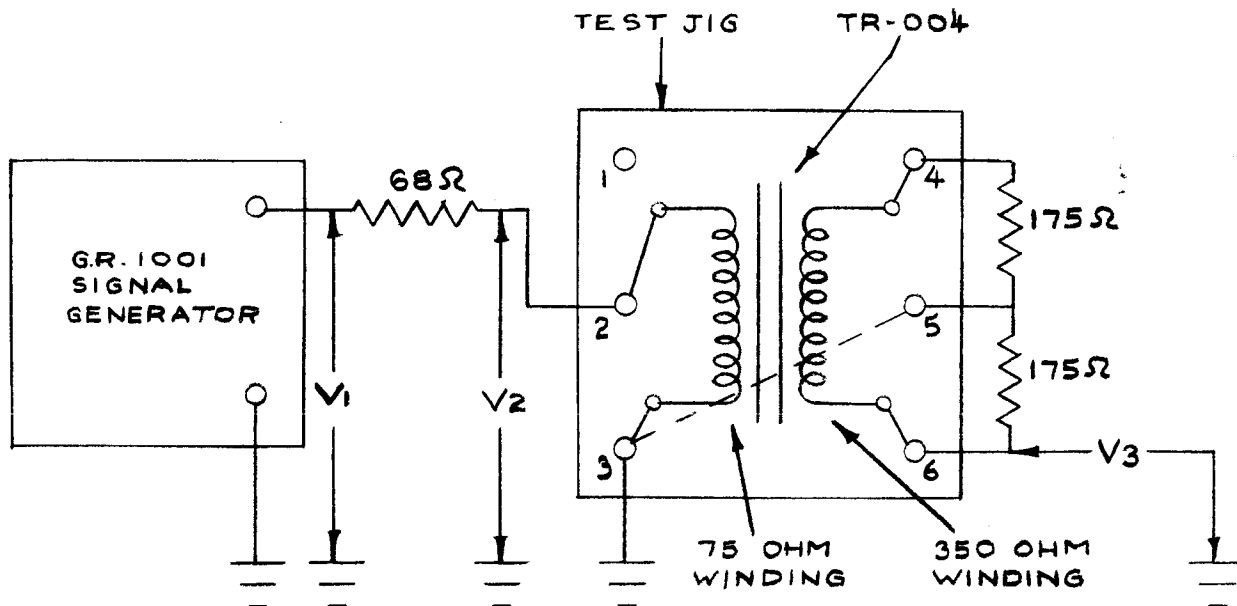


APPROVED *AMP*



COIL NO.	FREQ. (Kc)	V ₁	V ₂	V ₃
	100	.70	.28	.32
	400	.70	.32	.39
	1600	.68	.39	.37

IN CONNECTING 75 OHM WINDING TO THE GENERATOR INPUT, AVOID CROSSING THE WINDING LEADS AS IT LAYS NATURALLY ON THE TEST JIG.

