

DATE 26/8/55
SH. 1 OF 5
COMPILED BY
E. [Signature]

TMC SPECIFICATION NO. S10016

TITLE: Transformer P sting For AMC-6-2

JOB

APPROVED

All transformer should be tested on the transformer test bench. Two engineering samples of each type of transformer, identified by red cans, are provided and should be used to calibrate the test bench.

Test Instruments:

- 1) Signal generator; Standard Signal Generator, Model 82, 30% modulated at 1K/C.
- 2) V.T.V.M. HP model 410B or Heathkit (0015) model V-6 with AC probe. Readings off AC scale.

Test Procedure:

- 1) With control knob at position 1, adjust attenuator of signal generator to give 1 volt reading on the V.T.V.M.; call this V_1 .
- 2) Turn control knob to positions 2,3, and etc. to get respective readings for V_2 , V_3 and etc.

The following tables should be used for reference and tolerance set for each reading should be observed.

(P.T.O.)

DATE 26/8/55
 SH. 2 OF 5
 COMPILED BY
E. Chan

TMC SPECIFICATION NO. S 10016

TITLE: Transformer Testing For AMC-6-2

JOB 1

APPROVED [Signature]

Test Specifications:

TRO57

Freq. Volt.	2 MC		8 MC		28 MC	
	HP	Heathkit	HP	Heathkit	HP	Heathkit
V ₂	.46 ₋ 4.4%	.38 ₋ 4.4%	.46 ₋ 4.4%	.38 ₋ 4.4%	.41 ₋ 5%	.24 ₋ 5%
V ₃	.18 ₋ 5.5%	.09 ₋ 5.5%	.18 ₋ 5.5%	.09 ₋ 5.5%	.16 ₋ 6%	.06 ₋ 6%

TRO 59

Freq. Volt.	2 MC		8 MC		28 MC	
	HP	Heathkit	HP	Heathkit	HP	Heathkit
V ₂	.40 ₋ 5%	.38 ₋ 5%	.40 ₋ 5%	.38 ₋ 5%	.33 ₋ 6%	.28 ₋ 6%
V ₃	1.15 ₋ 3%	1.17 ₋ 3%	1.15 ₋ 3%	1.12 ₋ 3%	.90 ₋ 3%	.75 ₋ 3%

TRO 60

Freq. Volt.	2 MC		8 MC		28 MC	
	HP	Heathkit	HP	Heathkit	HP	Heathkit
V ₂	.47 ₋ 4%	.40 ₋ 4%	.46 ₋ 4%	.39 ₋ 4%	.36 ₋ 5%	.27 ₋ 5%
V ₃	.71 ₋ 3%	.66 ₋ 3%	.70 ₋ 3%	.63 ₋ 3%	.57 ₋ 4%	.42 ₋ 4%

DATE 31/8/55
 SH. 3 OF 5

TMC SPECIFICATION NO. S 10016

COMPILED BY

Z. Cherry

TITLE: Transformer Testing For AMC-6-2

JOB 1

APPROVED *[Signature]*

Test Specifications:

TRO 58

Freq Volt	2 MC		8 MC		28 MC	
	HP	Heath kit	HP	Heathkit	HP	Heathkit
V ₂	.43 ± 4%	.36 ± 4%	.43 ± 4%	.36 ± 4%	.34 ± 5%	.24 ± 5%
V ₃	.42 ± 4%	.36 ± 4%	.42 ± 4%	.36 ± 4%	.40 ± 4%	.30 ± 5%

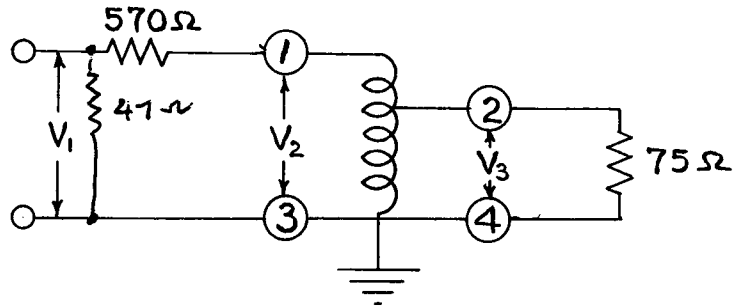
TRO 62

Freq. Volt.	2 MC		8 MC		28 MC	
	HP	Heathkit	HP	Heathkit	HP	Heathkit
V ₂	.36 ± 5%	.29 ± 5%	.36 ± 5%	.30 ± 5%	.17 ± 5.5%	.1 ± 6%
V ₃	.36 ± 5%	.28 ± 5%	.38 ± 5%	.33 ± 5%	.48 ± 4%	.37 ± 4%
V ₄	.20 ± 5.5%	.15 ± 6%	.19 ± 5.5%	.14 ± 6%	.08 ± 6%	.04 ± 6%

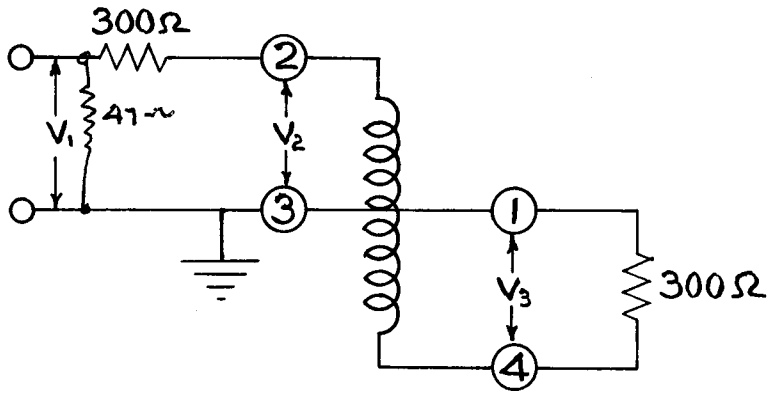
APPROVED *[Signature]*

TEST CIRCUITS:

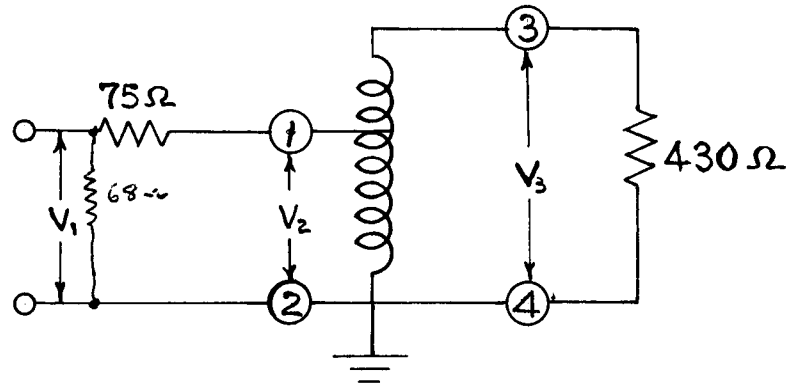
TR057



TR058



TR059



DATE 26/8/55
SH. 5 OF 5
COMPILED BY
Z. Chang

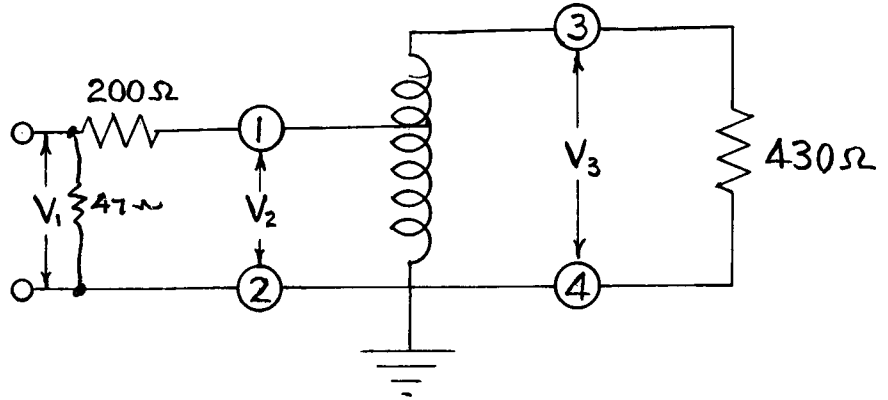
TMC SPECIFICATION NO. S-10016

TITLE: Transformer Testing for AMC-6-2

JOB 1

APPROVED [Signature]

TR060



TR062

