

DATE June 17/55

SH. 1 OF 2

COMPILED BY
CLB

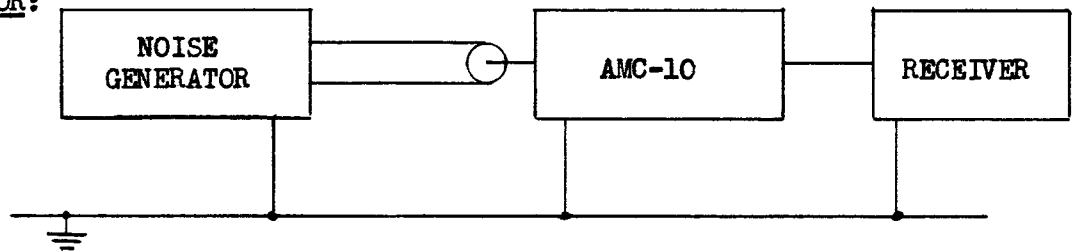
TMC SPECIFICATION NO. S - 10004

TITLE: TEST PROCEDURE AMC-10

JOB

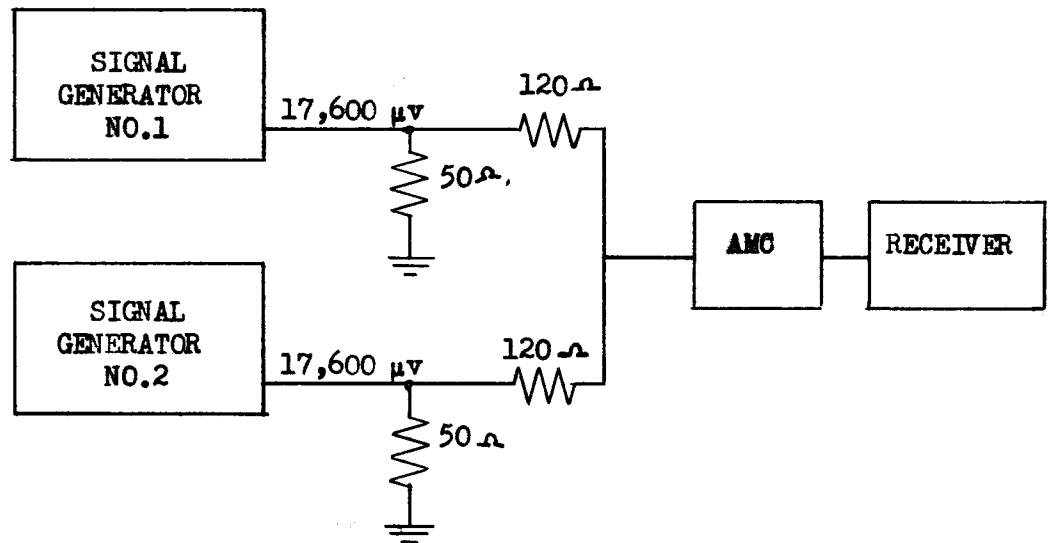
APPROVED

NOISE FACTOR:



Measured in accordance with Proceedings of the I.R.E., July 1953, paragraphs 10.1.2.2., 10.1.2.2.1., 10.1.4.

CROSS MODULATION:



Receiver calibrated at F_3 . Both generators at 17,600 μV.
Signal generator no. 2 returned to F_3 , and attenuator adjusted to give standard output.

$$\text{db attn} = 20 \log_{10} \frac{V_2}{V_1}$$

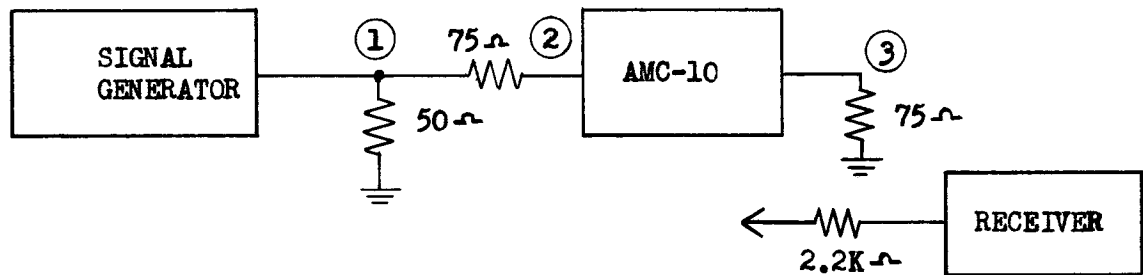
DATE June 17/55SH. 2 OF 2COMPILED BY
CLB

TMC SPECIFICATION NO. S - 10004

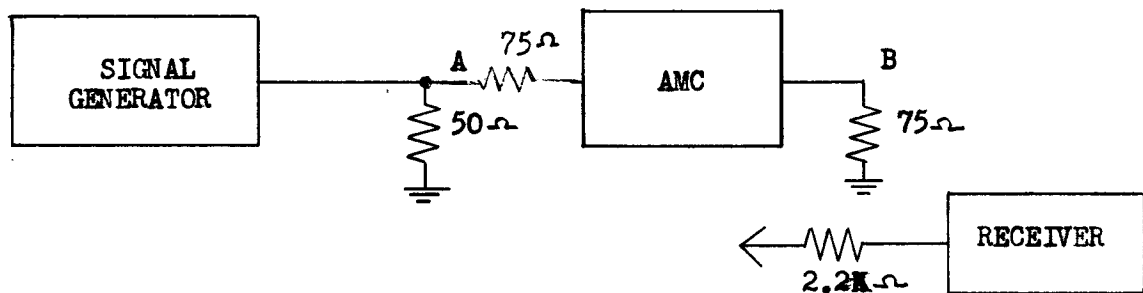
TITLE: TEST PROCEDURE AMC-10

JOB

APPROVED

GAIN:Receiver calibrated at $V_1 = K = 100 \mu v$.Receiver switched to V_2 and signal generator attenuator adjusted to give standard output. Measurements recorded.Receiver switched to V_3 and signal generator attenuator again adjusted to give standard output. Measurements recorded as V_3 .

$$\text{db gain} = 20 \log_{10} \frac{V_2}{V_3} .$$

FILTER:Signal generator output = $K = 100 \mu v$.

Receiver calibrated at A., switched to B and signal generator output adjusted to give standard output. Insertion loss of AMC related to average gain of AMC.

INPUT IMPEDANCE:

Measured by means of G.R. Bridge with AMC power ON.