

DATE \_\_\_\_\_  
SHEET 1 OF 8

# TMC SPECIFICATION NO. S

928



*Sam*  
COMPLETED

CHECKED

TITLE:

*OS*  
APPROVED

*RAL*

SINGLE PHASE SEPARATE 115 VOLT  
INPUT TO EXCITER FRAME AND  
UTILITY OUTLETS  
KIT - 204

DATE \_\_\_\_\_

SHEET 2 OF 8

# TMC SPECIFICATION NO. S 928



*Lmm*  
COMPILED

CHECKED

TITLE: SINGLE PHASE SEPARATE 115 VOLT INPUT TO EXCITER

*OS*  
APPROVED

FRAME AND UTILITY OUTLETS (TMC NO. KIT - 204)

I. EQUIPMENT AFFECTED:

A. TMC MODEL AUXILIARY FRAME (EXCITER) FOR SBG SYSTEM.

II. PURPOSE:

a) Provides for removal of Regulating or Step down Transformer from Exciter Frame and provides for a separate 115 volt, single phase input to Exciter Frame and Utility Outlets.

III. MATERIALS SUPPLIED IN KIT:

<u>ITEM NO.</u>	<u>AMOUNT</u>	<u>DESCRIPTION</u>
01	one ea.	TMC NO. NP-362-36, Name Plate
1	one ea.	TMC NO. APP-10 AUX. POWER PANEL
2	one ea.	TMC NO. SW-251-2-NEW CB-3000
3	one ea.	TMC NO. FU102-1.00; lamp.glass fuse.

IV. TOOLS REQUIRED:

TO BE PROVIDED BY THE INSTALLING ACTIVITY.

1. 6" screw driver, "OFFSET."
2. 6" screw driver, FLAT BLADE.
3. 6" screw driver, PHILLIPS'.
4. 6" PLIERS, DIAGONAL.
5. 6" PLIERS, LONGNOSE.
6. 6" WRENCH. ADJUSTABLE.

V. PROCEDURE:

REMOVE ALL INPUT POWER TO AUXILIARY FRAME AND ASSOCIATED TRANSMITTER TO BE MODIFIED.

DATE

SHEET 3 OF 8

## TMC SPECIFICATION NO. S 928


 COMPILED

CHECKED

TITLE: SINGLE PHASE SEPARATE 115 VOLT INPUT TO EXCITER


 APPROVED

FRAME AND UTILITY OUTLETS (TMC NO. KIT - 204)

## - VIEWING TRANSMITTER FROM FRONT -

1. Open rear door of Auxiliary Frame and associated Transmitter.
2. Remove CPP -2, CHL, TIS, CLI, CBE and CHG from auxiliary frame by disconnecting all connectors and connections from rear of units.
3. Remove the APP-3 or APP-8 (NO LONGER USED) at bottom front of Auxiliary Frame. NOTE: Save mounting hardware.
4. Remove cover from Auxiliary Frame Filter Board. (LD-1451/PX - 796) located bottom left of Auxiliary Frame.
5. Disconnect all external leads from T-3000/2. by removing the four phillips' screws on rear cover plate of transformer to expose the transformers' external cable connections.
6. Remove T-3000/2 (NO LONGER USED).
7. Remove the jumper, (CA-830) white lead and White/Red tracer lead) from AC FILTER BOARD (LD-1451/PX-796), located bottom left of Auxiliary Frame (viewing Aux. Frame from rear) and from Ø2 and Ø3 of the Three Phase input power board located at bottom rear of GPT-10K transmitter. (CABLE CA-830 NO LONGER USED). (REFER TO FIGURE #2).
8. Remove CB-3000 (NO LONGER USED) tagging all leads removed from CB-3000. NOTE: SAVE mounting hardware.
9. Mount item #2 supplied in kit, in CB-3000's location; (just removed in Step #8), with existing hardware.
10. Disconnect and remove the entire cable that routed from T-3000/2 through the left hole of the bracket (located below the CB-3000) (VIEWING AUX. FRAME FROM FRONT).(REFER TO FIGURE #3).
11. Rewire item #2, installed in Step #9 with existing tagged leads that were removed from CB-3000 in Step #8.
12. Reroute the remaining BX- cable,(that was originally connected to T-3000/2 thru the center shield, bottom hole of Auxiliary Frame and up the front of the center shield of the Aux. Frame)through the bracket hole, located below the CB-3000 and connect to the two bottom studs of the new CB-3000 after trimming excess BX metal covering. NOTE: Use the same color code as the cable removed in Step #10. (White wire to left bottom stud and Black wire of BX cable to right bottom stud of CB-3000). REFER TO FIGURE #4.
13. Place Item #1 supplied in kit, in location from which APP-3 or APP-8 was removed in Step #3.
14. Connect (customer supplied) 115 VAC primary power cable leads to CB-1 and CB-2 of APP-10 of Step #13 as per Figure #1 and mount APP-10 in same location and with existing hardware removed in Step #3.

DATE

SHEET 4 OF 8

## TMC SPECIFICATION NO. S 928

COMPILED

CHECKED

TITLE: SINGLE PHASE SEPARATE 115 VOLT INPUT TO EXCITER

APPROVED

FRAME AND UTILITY OUTLETS (TMC NO. KIT -204)

15. Connect (customer supplied) 115 VAC primary power cable leads to FILTER Terminals of FILTER BOARD (LD-1451/PX-796) (located left side, bottom rear, of Auxiliary Frame) REFER TO FIGURE #2.
16. Replace cover on FILTER BOARD that was removed in step #4.
17. Disconnect and Disassemble (P-3008), Plug, from JACK (J-3006) of Side Band Frame top Fan, (B-3000), located top right of side band frame, viewing transmitter from the front.
18. Remove fan fuse (F-3000) .5 amp and replace with item #3 supplied in KIT (1 amp fuse, glass).
19. Rewire Plug (P-3008) as per figure #2a (new plug wiring diagram).
20. Reassemble P-3008 and connect to (J-3006).
21. Install units removed on Step #2 and Reconnect all connections and connectors of CPP-2, CHL, TIS CLL, CSS, CBE and CHG.
22. Close Rear doors of Auxiliary Frame and associated transmitter.
23. This completes Modification #204 of your Auxiliary Frame for the SBG system.
24. Apply item #01 directly to right of name plate of Auxiliary power panel.

DATE \_\_\_\_\_  
SHEET 5 OF 8

# TMC SPECIFICATION NO. S

928

*LMM*  
COMPILED

CHECKED

TITLE: SINGLE PHASE SEPARATE 115 VOLT INPUT TO EXCITER

*[Signature]*  
APPROVED

FRAME AND UTILITY OUTLETS (TMC NO. KIT - 204)

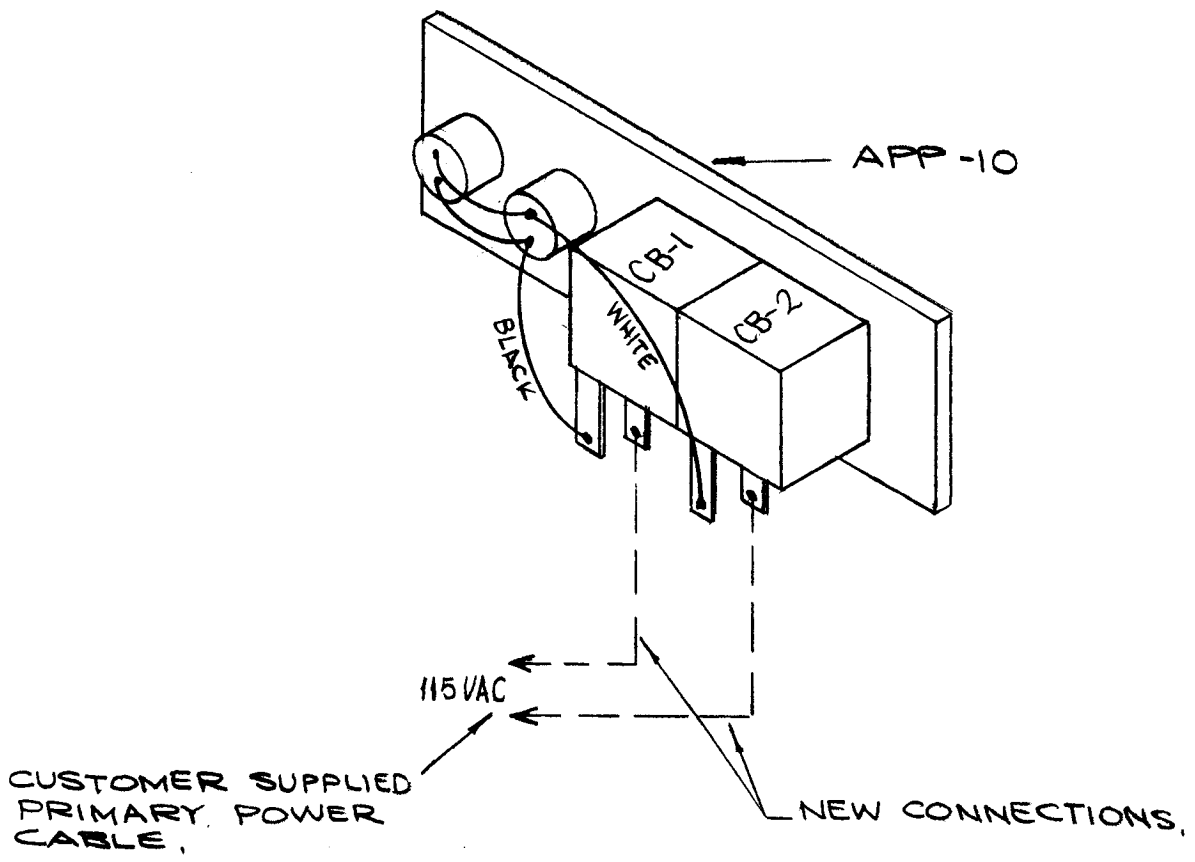


FIG. # 1



*[Signature]*  
 COMPILED

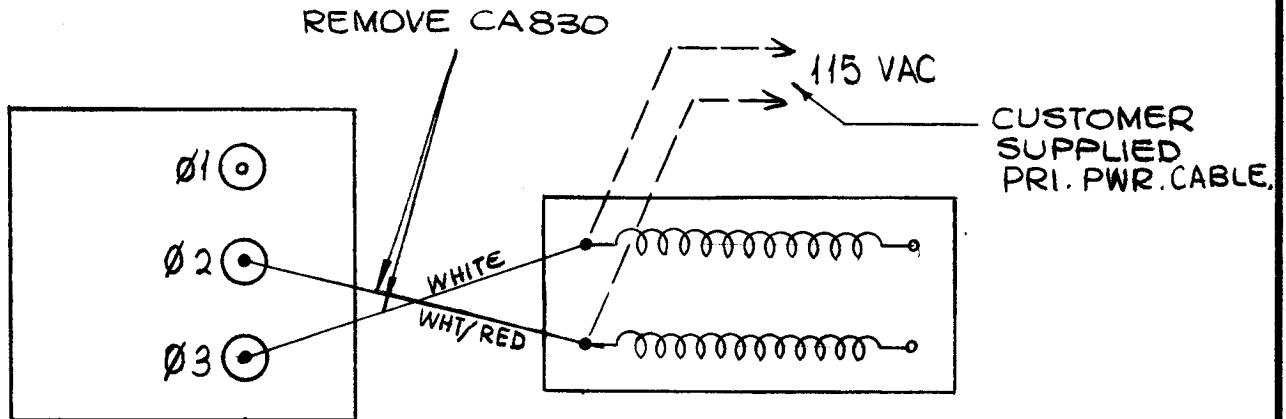
CHECKED

TITLE: SINGLE PHASE SEPARATE 115 VOLT INPUT TO EXCITER

*[Signature]*  
 APPROVED

FRAME AND UTILITY OUTLETS (TMC NO. KIT -204)

FIG. #2



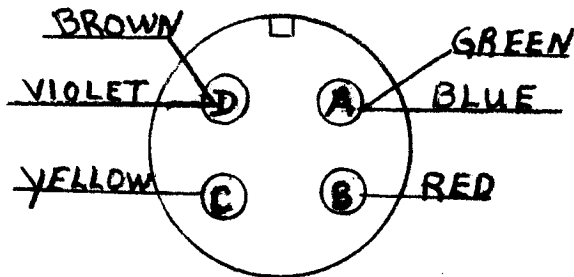
GPT-10K PRI PWR  
 Ø3 TERM BOX

AC FILTER BOX  
 LD 1451/PX 796

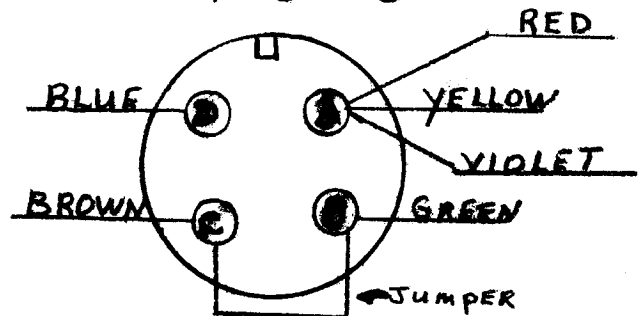
— VIEWING PLUGS FROM SOLDER END —  
 (OLD) (NEW)

P-3008

P-3008



230VAC Plug  
 WIRING



115VAC Plug  
 WIRING

SIDE BAND FRAME TOP FAN PLUG WIRING

FIG. #2a

DATE \_\_\_\_\_  
SHEET 7 OF 8

# TMC SPECIFICATION NO. S

928



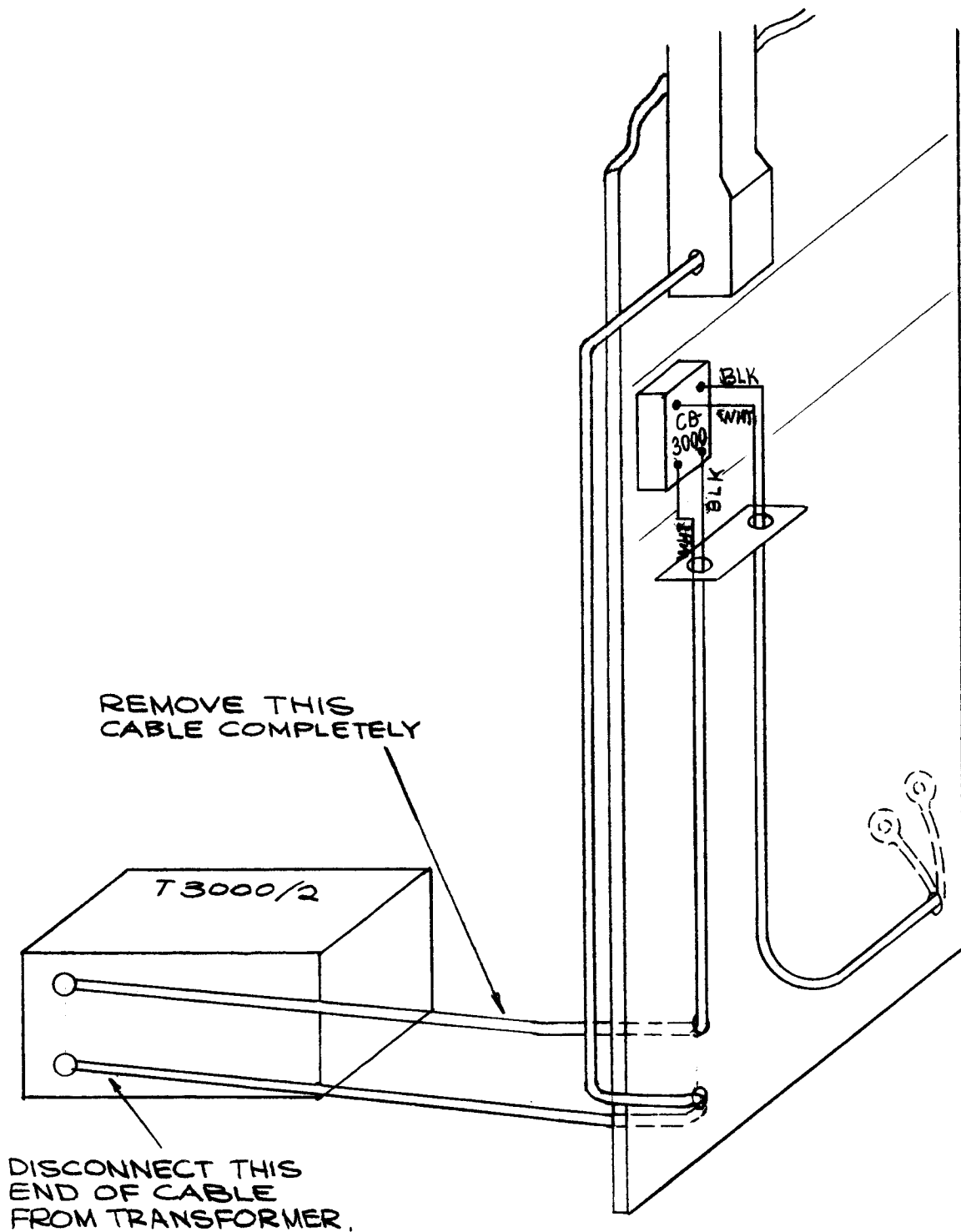
*Lmm*  
COMPILED

CHECKED

TITLE: SINGLE PHASE SEPARATE 115 VOLT INPUT TO EXCITER

*DB*  
APPROVED

FRAME AND UTILITY OUTLETS (TMC KIT NO. 204)



ORIGINAL WIRING

FIG. #3

DATE \_\_\_\_\_  
SHEET 8 OF 8

# TMC SPECIFICATION NO. S 928



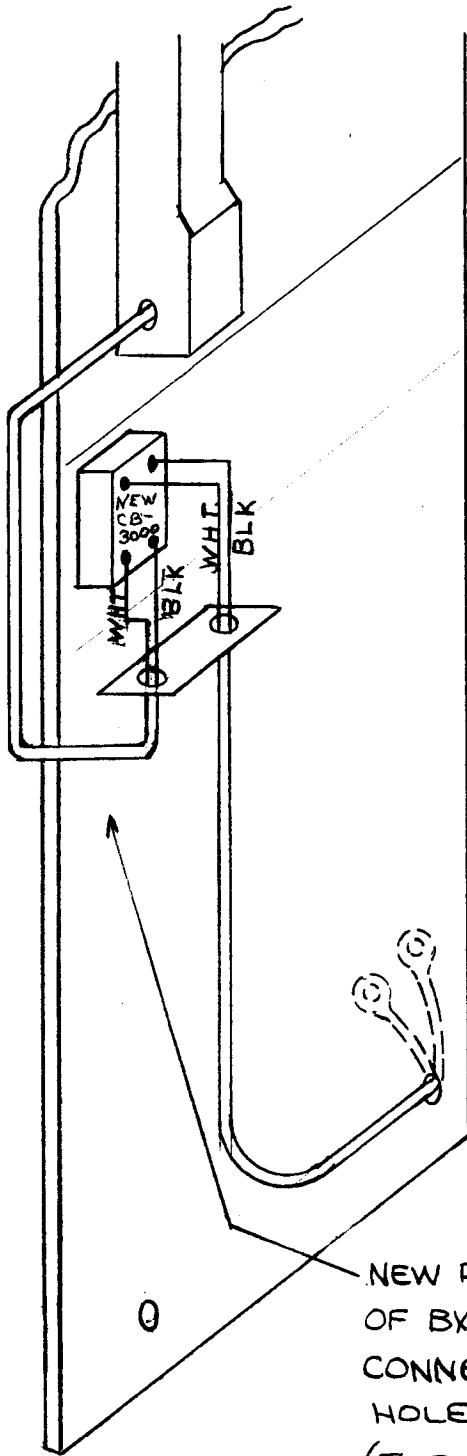
*LMM*  
COMPILED

CHECKED

TITLE: SINGLE PHASE SEPARATE 115 VOLT INPUT TO EXCITER

*APPROVED*  
APPROVED

FRAME AND UTILITY OUTLETS (TMC NO. KIT 204)



NEW ROUTING & CONNECTIONS  
OF BX CABLE THAT ORIGINALLY  
CONNECTED THRU BOTTOM  
HOLE OF TRANSFORMER  
(T-3000/2) AND CENTER  
SHIELD.

NEW WIRING  
FIG #4



