

DATE _____		TMC SPECIFICATION NO. S 927		B
SHEET 1 OF 9				
<i>[Signature]</i> COMPILED	CHECKED	TITLE:		
<i>[Signature]</i> APPROVED	<i>[Signature]</i>			

ADDITION OF APP-10 AND TF-275
TO AUXILIARY FRAME

KIT NO. 200

DATE

SHEET 2 OF 9

TMC SPECIFICATION NO. S

927

B


 COMPILED

CHECKED

TITLE: ADDITION OF APP-10 AND TF-275


 APPROVED

TO AUXILIARY FRAME (TMC KIT NO. 200)

I. EQUIPMENT AFFECTED:

A. TMC MODEL AUXILIARY FRAME FOR SBG SYSTEM.

II. PURPOSES

A. Provides for addition of a Transformer in Exciter Frame and a new, improved Auxiliary Power Panel.

III. MATERIALS SUPPLIED IN KIT:

<u>ITEM NO.</u>	<u>AMOUNT</u>	<u>DESCRIPTION</u>
1	1 ea.	TMC NO. TF-275 T-3003 TRANSFORMER
2	1 ea.	TMC NO. APP-10 Auxiliary Power Panel
3	2 ea.	TMC NO. MS-1838 Bracket, Conn. Cable
4	1 ea.	TMC NO. CA-741-3-Cable
5	1 ea.	TMC NO. CA-741-4-Cable
6	1 ea.	TMC NO. CA-741-5-Cable
7	1 ea.	TMC NO. RY-157-1 RUBBER STRIP
8	4 ea.	TMC NO. TE2520AE90R Post, Mechanical
9	4 ea.	TMC NO. SM-2520-SN-2.500 1/4-20 Threaded rod.
10.	4 ea.	TMC NO. SCHH 2520-BN-16 Hex Head, Screw
11.	4 ea.	TMC NO. LWS25MRN Split, Lockwasher
12	4 ea.	TMC NO. FW25HBN Washer, Flat.
13	4 ea.	TMC NO. CU-105 Straight, Box Conn. Electrical.
14	2 ea.	TMC NO. CU-110 90° Angle, Box Conn. Electrical
15	2 ea.	TMC NO. SCBP0632BN5 SCR, MACH for MS1838
16	2 ea.	TMC NO. SCFP0632BN7 SCR MACH for MS1838 Side
17	4 ea.	TMC NO. LWE06MRN Washer, Lock for MS1838
18	4 ea.	TMC NO. NTH0632BN8 Nut, Hex for MS1838
19	1 ea.	5/8" Drill bit for holes for Figure #2
20	1 ea.	#23- Drill Bit. for holes for Figure #2a
21	1 ea.	82 DEG countersink for holes of Figure #1.
22	1 ea.	TMC NO. NP-362-35, Name Plate

DATE

SHEET 3 OF 9

TMC SPECIFICATION NO. S

927

B

COMPILED

CHECKED

TITLE:

ADDITION OF APP-10 AND TF-275

APPROVED

TO AUXILIARY FRAME (TMC KIT NO. 200)

IV. TOOLS REQUIRED:

TO BE PROVIDED BY INSTALLING ACTIVITY.

1. Phillips' screwdriver, medium
2. 6" Flat Blade Screwdriver
3. 6" Offset screwdriver
4. 6" Plier, gas.
5. Socket and Speed wrench for removing Aux. Frame outside cover.

V. PROCEDURE:

REMOVE ALL INPUT POWER FROM AUXILIARY FRAME (EXCITER RACK) AND ASSOCIATED TRANSMITTER TO BE MODIFIED.

--VIEWING AUX. FRAME FROM THE FRONT--

1. Remove Rear Doors of Auxiliary Frame (Exciter Rack).
2. Remove Left Side Cover and Shield from Auxiliary Frame.
3. Remove CPP-2, CHL, TIS, CLL and CSS from Auxiliary Frame by removing all connectors and connections at rear of these units.
4. Remove and disconnect the APP-3/APP-8 located bottom Aux. Frame Front NOTE: SAVE HARDWARE.
5. Install Item #2 supplied in kit in Frame opening created in Step #4.
6. Refer to Figure #1 and drill two holes with item #20 supplied in kit, countersink with item #21 supplied in kit.
- 6a. Install item #3 with items #16, 17 and 18 supplied in kit.
7. Refer to Figure #2 and drill two holes with item #19 supplied in kit, in the location designated in Figure #2.
8. Refer to Figure #2a and drill two holes with item #20 supplied in kit, in the location designated by Figure #2a.
9. Attach item #3, bracket, supplied in kit, with item #15, #17 and #18 supplied in kit, in location where the two holes were drilled in Step #8 (orient bracket as existing bracket configuration, located at left of newly installed bracket).
10. ATTACH the two item #13 supplied in kit, BX connectors to the new bracket, item #3 supplied in kit, installed in Step #9 (orient connectors as existing connector configuration located to left of newly installed bracket).
11. Attach item #13 supplied in kit, to the holes of bracket installed in Step #6a.
12. Place item #4 cable supplied in kit, in bottom hole drilled in Step #7 and route along bottom left side of Auxiliary Frame and thru bottom hole of bracket installed in Step #6a.

DATE _____

SHEET 4 OF 9

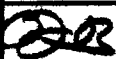
TMC SPECIFICATION NO. S 927

B


 COMPILED

CHECKED

TITLE: ADDITION OF APP-10 AND TF-275



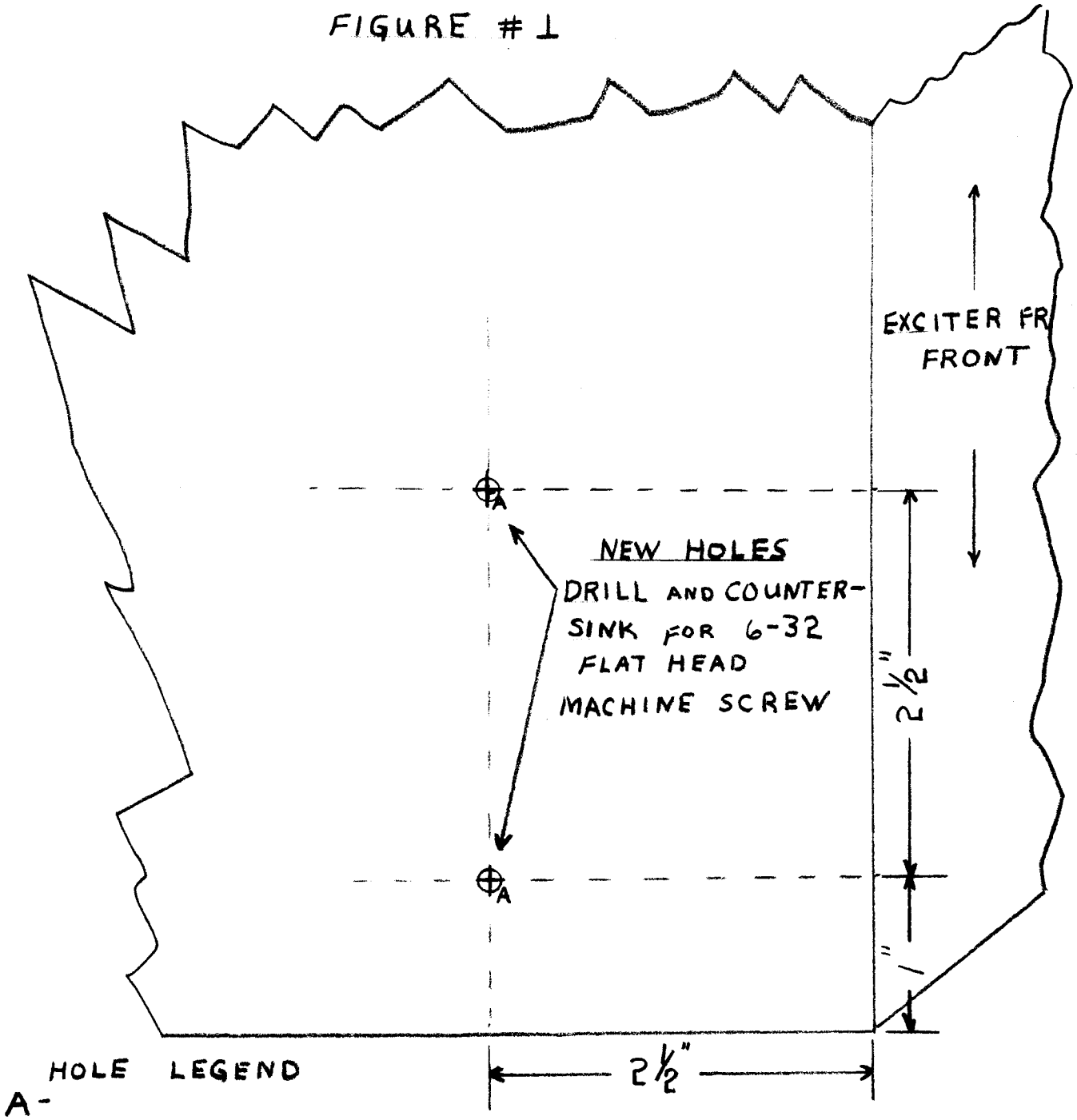
APPROVED

TO AUXILIARY FRAME (TMC KIT NO. 200)

13. Place item #5 supplied in kit, in top hole drilled in Step #7 and route up to (right side) hole of item #3 installed in Step #9.
14. Remove mounting screws from T-3000/2, located on front bottom of Auxiliary Frame.
15. Using items #8, #9, #10, #11, and #12, install the four new standoffs' as per Figure #3.
16. Place item #7 (rubber pad) on top of existing XMFR T-3002 located bottom of Auxiliary Frame. (Refer to Figure #3).
17. Place T-3003, item #1 supplied in kit, on top of rubber pad, (item #7 installed in step #17. (Refer to Figure #3).
18. Using existing hardware from T-3000/2, secure item #1 installed in Step #17, to the new mounting installed in Step #15. (Refer to Figure #3).
19. Connect one end of item #5 as per figure #4 to item #1, supplied in kit using 90° box connector item #14 to secure BX cable to XMFR case.
20. Connect one end of item #4, supplied in kit, as per figure #4 to item #1, supplied in kit using 90° box connector item #14 to secure BX cable to XMFR case.
21. Pull the excess of item #4 and item #5 thru the hole drilled in step #7 and tighten screws on the two BX connectors (item #13) that were installed in Step #7.
22. Route item #5 supplied in kit, and installed in Step #13, thru the (right side) hole of item #3 installed in Step #9 and connect as per Figure #4.
23. Connect item #4 as per Figure #4. Tighten bottom BX connector installed in Step #11.
24. Insert item #6 thru (left side) hole of bracket (item #3) installed in step #9 and connect this end as per Figure #4.
25. Route item #6, just inserted in Step #24, down and thru the top hole of bracket installed in step #6a, tighten BX connectors and attach to APP-10 (supplied in kit) as per drawing #4.
26. Replace Auxiliary Frame, left side shield and cover removed in Step #1.
27. Replace CPP-2, CHL, TIS, CLL AND CSS in Auxiliary Frame connecting all connectors and connections at rear of units.
28. Replace rear cover on Transformers T-3003.
29. Install Rear Door of Auxiliary Frame.
30. Apply item #22 to the right of name plate of Auxiliary power panel.
31. This completes modification Kit #200 of your Exciter Frame.

DATE _____		TMC SPECIFICATION NO. S	927	B
SHEET <u>5</u> OF <u>9</u>				
<i>[Signature]</i> COMPILED	CHECKED	TITLE: ADDITION OF APP-10 AND TF-275		
<i>[Signature]</i> APPROVED		TO AUXILIARY FRAME (TMC KIT NO. 200)		

FIGURE # 1



LEFT-BOTTOM OF EXCITER FRAME

DATE

SHEET 6 OF 9

TMC SPECIFICATION NO. S

927

B

COMPILED

CHECKED

TITLE: ADDITION OF APP-10 AND TE-275

APPROVED

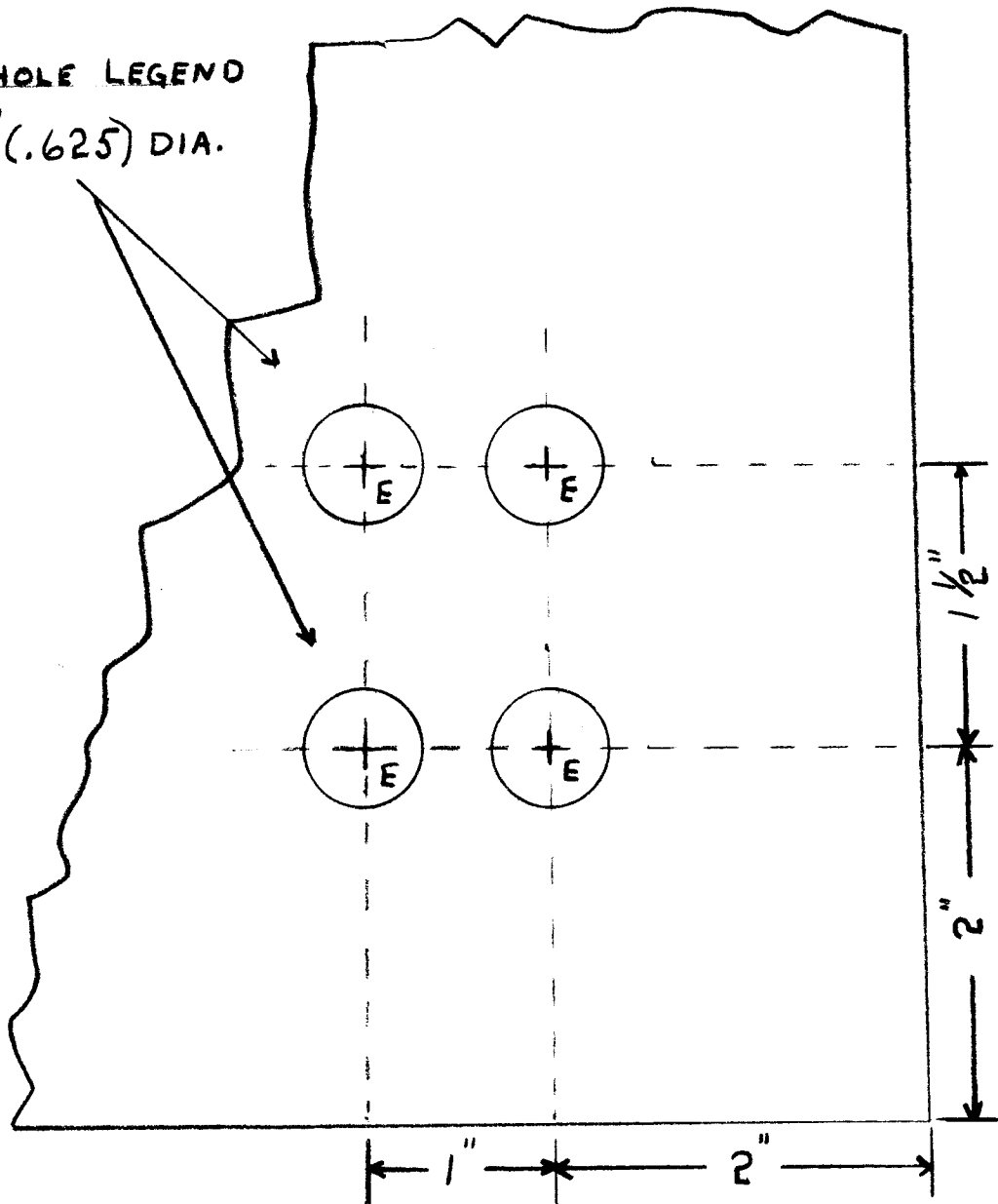
APPROVED

TO AUXILIARY FRAME (TMC KIT NO. 200)

FIGURE #2

NEW HOLE LEGEND

E - $\frac{5}{8}$ " (.625) DIA.

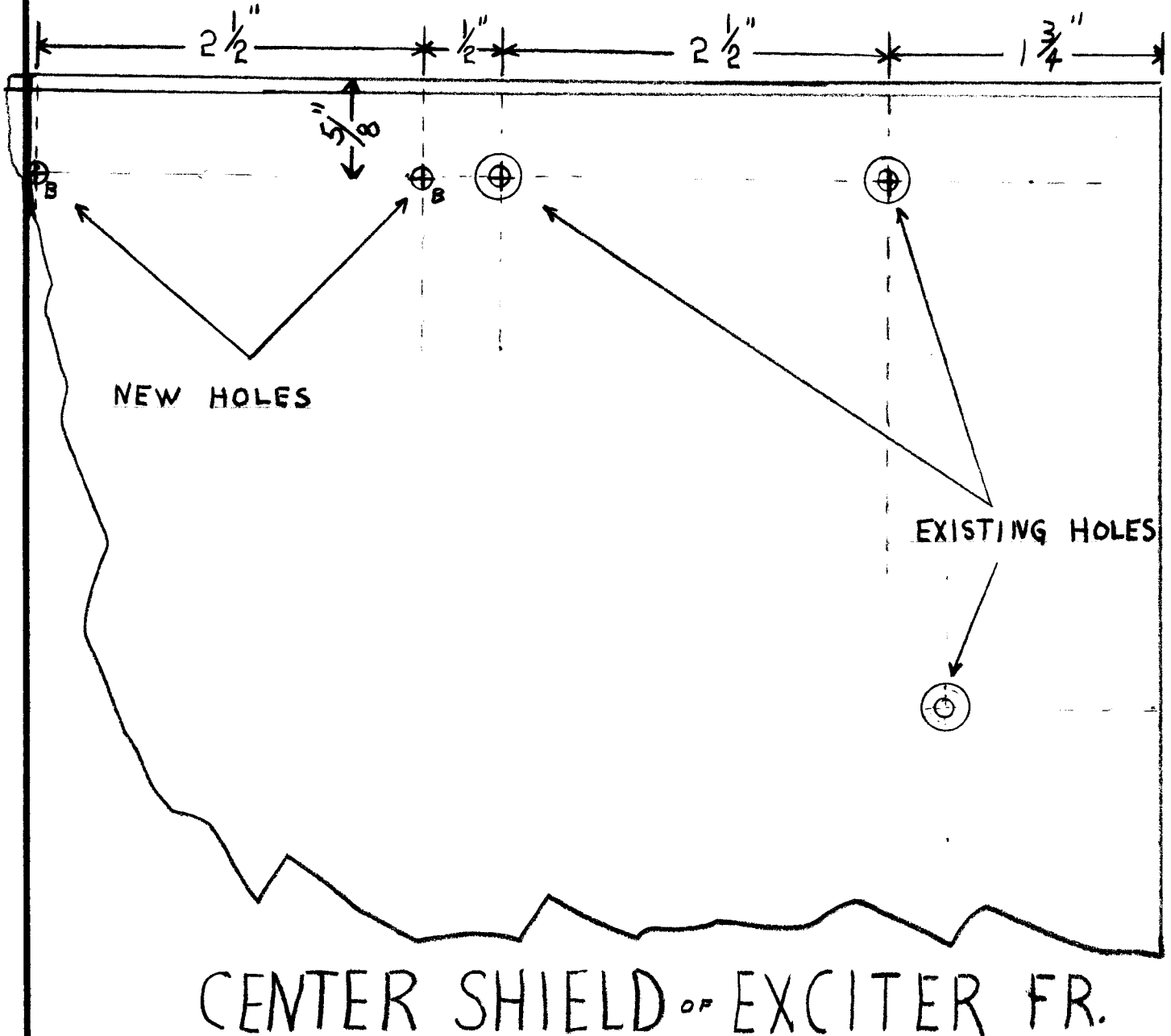


CENTER SHIELD, BOTTOM, EXCITER FR

DATE _____		TMC SPECIFICATION NO. S	927	B
SHEET <u>7</u> OF <u>9</u>				
<i>Sam</i> COMPILED	CHECKED	TITLE: ADDITION OF APP-10 AND TF-275		
<i>DB</i> APPROVED		TO AUXILIARY FRAME (TMC KIT NO. 200)		

FIGURE #2a.

NEW HOLE LEGEND
 B-#23
 DRILL (.154) DIA.



DATE _____
SHEET 8 OF 9

TMC SPECIFICATION NO. S 927

B

[Signature]
COMPILED

CHECKED

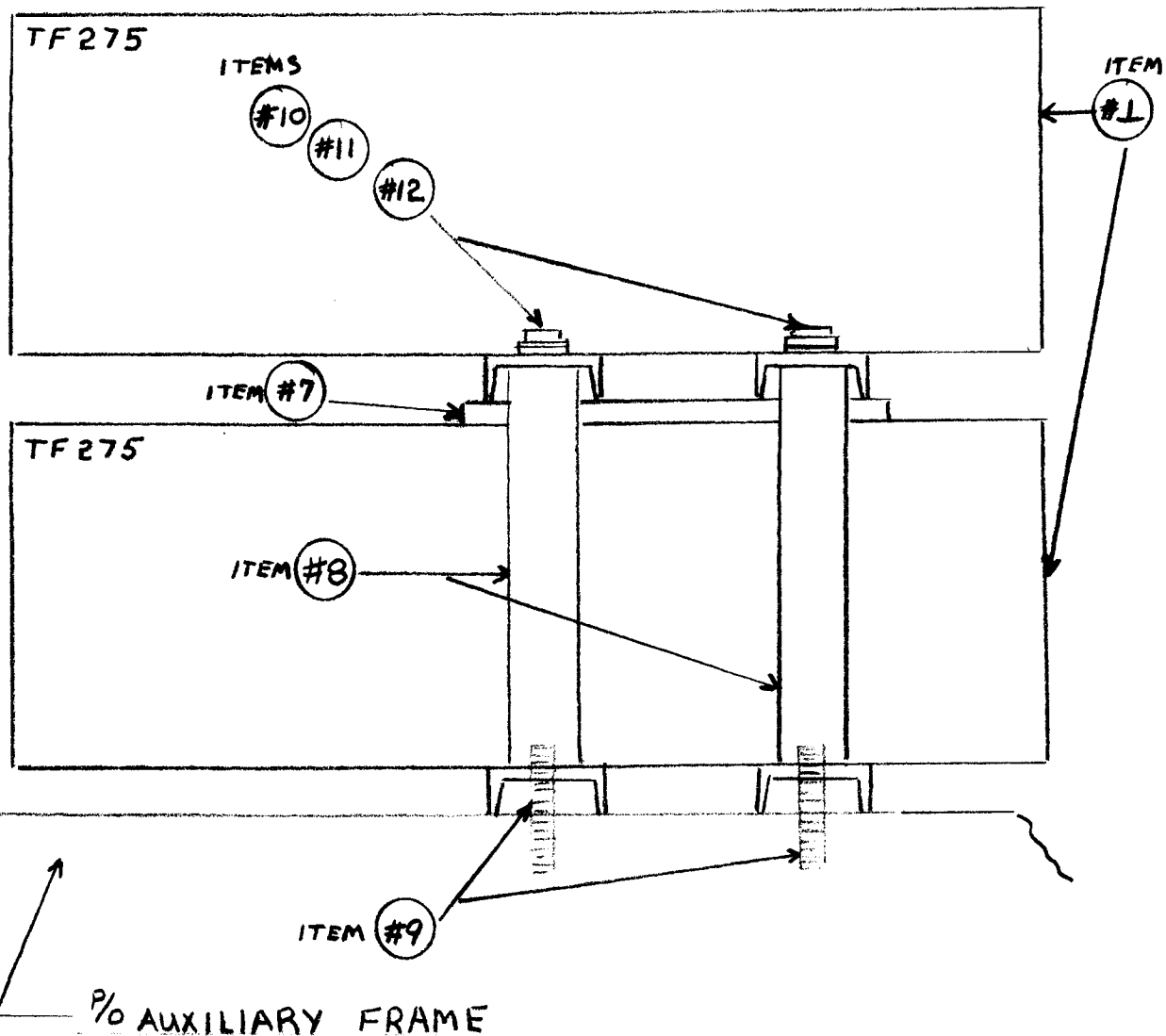
TITLE: ADDITION OF APP-10 AND TF-275

[Signature]

APPROVED

TO AUXILIARY FRAME (TMC KIT NO. 200)

FIGURE # 3



Linman
 COMPILED

CHECKED

TITLE: ADDITION OF APP-10 AND TF-275

[Signature]
 APPROVED

TO AUXILIARY FRAME (TMC KIT NO. 200)

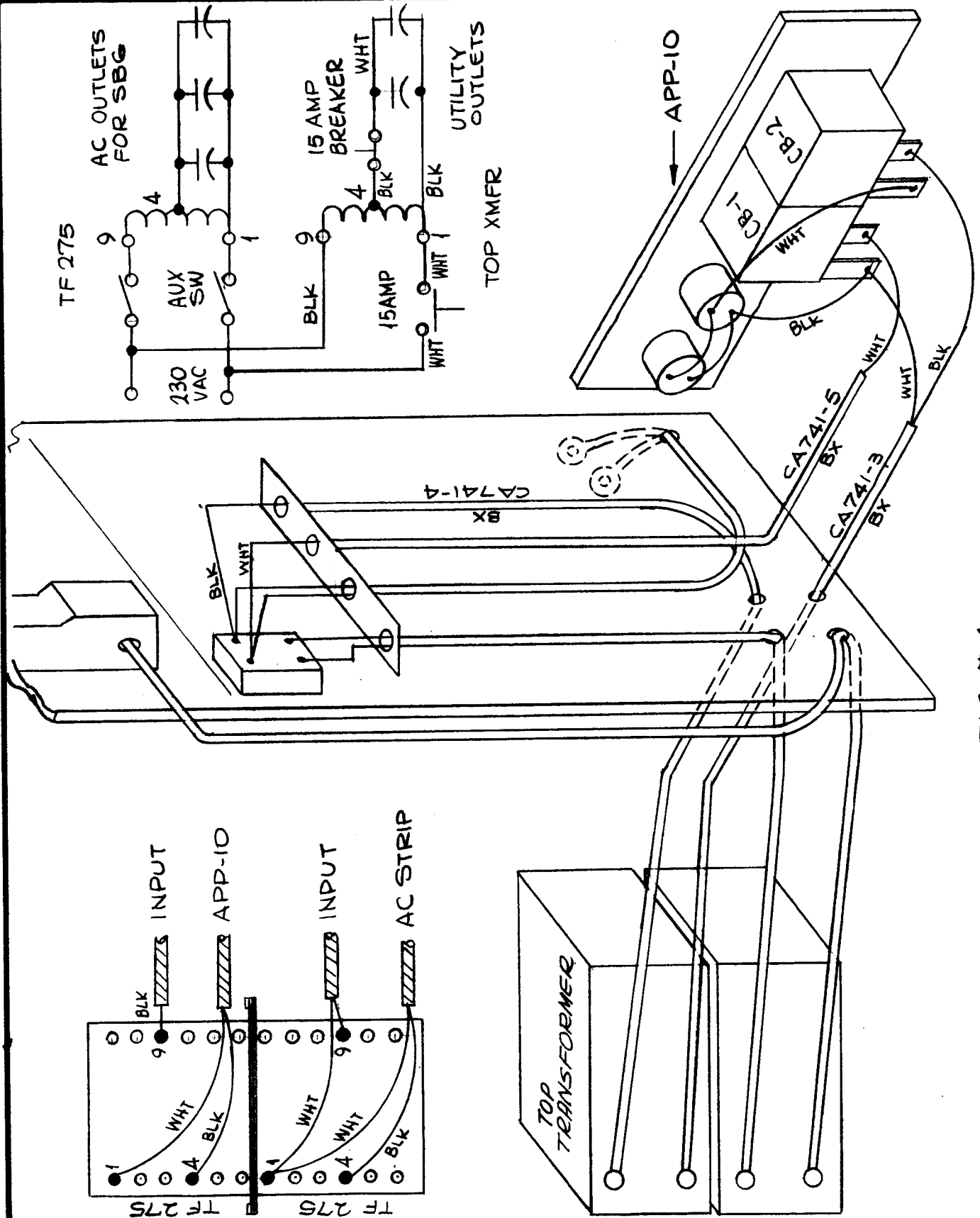


FIG. #4

