

DATE 10/23/61	TMC SPECIFICATION NO. S	574	A
SHEET 1 OF 4			
I.J. COMPILED	CHECKED	TITLE: TEST PROCEDURE RAC-40	
APPROVED <i>BP</i>			

1. Set up equipment as shown on sheet 2.
2. Use one 68 ohm and one 510 ohm RESISTORS (CARBON $\frac{1}{2}$ W)
3. All readings taken with Hewlett Packard Vacuum Tube Voltmeter, Model 410B or equivalent.

DATE 10/23/61
SHEET 2 OF 4

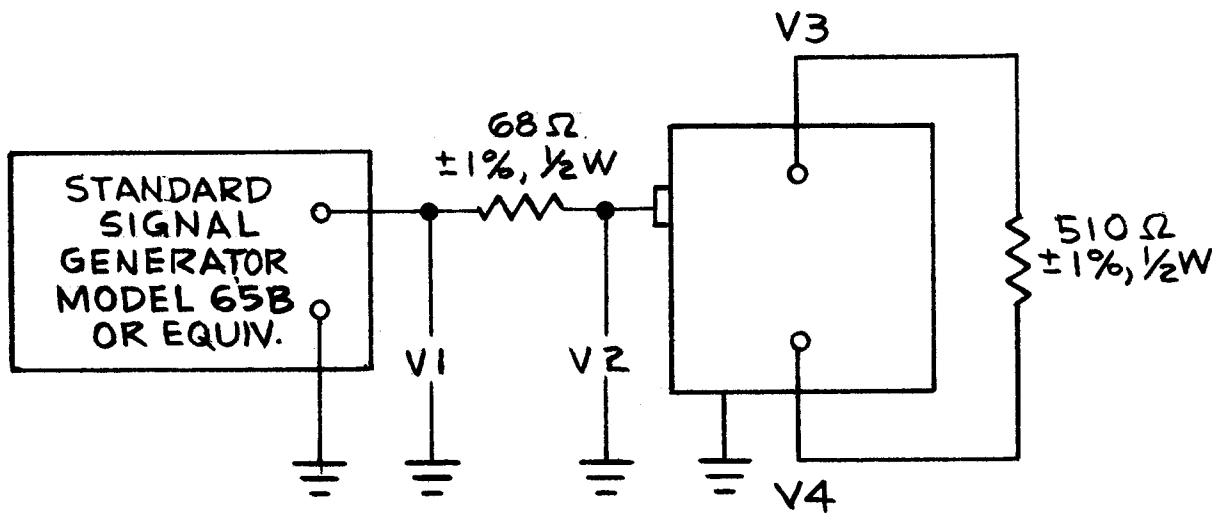
TMC SPECIFICATION NO. S 574

A

I.J.
COMPILED CHECKED

TITLE: TEST PROCEDURE RAC-40

APPROVED



DATE 10/23/61
SHEET 3 OF 4

TMC SPECIFICATION NO. S 574

A

I.J.
COMPILED

CHECKED

TITLE: TEST PROCEDURE RAC-40

APPROVED

RF VOLTS				
FMC	V1	V2	V3	V4
13	1	$.5 \pm \frac{.02}{0}$	$.66 \pm .01$	$.66 \pm .01$
20	1	$.5 \pm .02$	$.66 \pm \frac{0}{.02}$	$.66 \pm \frac{0}{.02}$
26	1	$.5 \pm \frac{0}{.06}$	$.66 \pm \frac{0}{.03}$	$.66 \pm \frac{0}{.03}$

DATE 10/23/61
SHEET 4 OF 4

TMC SPECIFICATION NO. S - 574

A

IJ
COMPILED CHECKED

TITLE: TEST PROCEDURE RAC-40

APPROVED

DATA SHEET

RF VOLTS				
fmc	V ₁	V ₂	V ₃	V ₄
13				
20				
26				

DATE _____
TESTED BY _____

