

DATE 7-1-59

SH. 1 OF 3

COMPILED BY

TMC SPECIFICATION NO. S - 436

TITLE: MODIFICATION OF INTERLOCK CIRCUIT FOR USE

JOB

B

APPROVED:  WITH ATS-1 MODIFICATION KIT GPT-750()I

MATERIALS FURNISHED:

One JJ-132 with marker plate and hardware.

One 6" length SRIR 18

One drill bit 3/8 " (.375)

One cable interconnect from ATS-1, J102 to GPT-750 () I, JJ-132 (supplied).

NOTE:

See figure I (Rear of GPT-750()I)

PROCEDURE:

1. Remove all power from transmitter.
2. Disconnect and remove middle drawer.
3. Remove internal cover plate over E501, J501. This cover plate is located at the right rear middle inside the transmitter cabinet.
4. Remove rear cover of the transmitter.
5. Using the 3/8" (.375) drill supplied, drill a hole in the location indicated by the attached sketch. Make sure that wiring is free of the hole location.
6. Insert the jack (JJ-132) provided through this hole from the inside of the cabinet, attach the marker plate and secure the jack by tightening the nut.
7. Remove one lead from the interlock switch S504. Connect and solder this lead to the normally closed contact on the jack.

NOTE:

See figure II (Interior of GPT-750()I)

8. Connect the lead attached to the jack to the terminal on S504.

DATE 7-1-59  
SH. 2 OF 3  
COMPILED BY

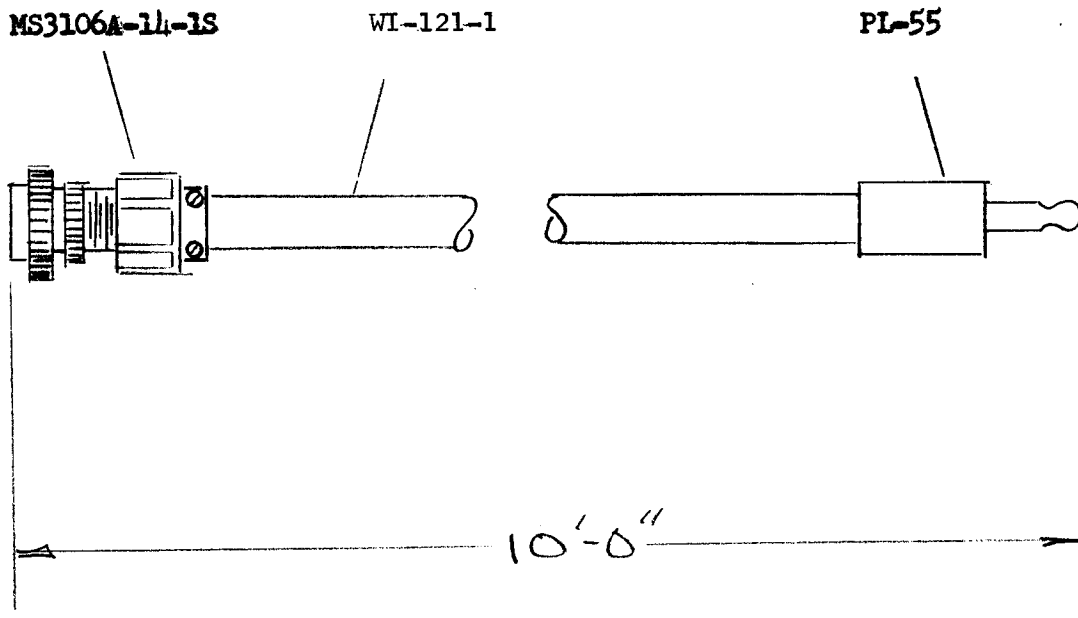
# TMC SPECIFICATION NO. S-436

TITLE: MODIFICATION OF INTERLOCK CIRCUIT FOR USE

JOB B

APPROVED [Signature] WITH ATS-1 MODIFICATION KIT GPT-750(I)

9. Replace the cover plate removed in number 3 above.
10. Replace middle drawer and rear cover of the transmitter.
11. Reconnect power to the transmitter.



DATE 7-1-59  
SH. 3 OF 3  
COMPILED BY

# TMC SPECIFICATION NO. S-436

TITLE: MODIFICATION OF INTERLOCK CIRCUIT FOR USE

JOB B

APPROVED 

WITH ATS-1 MODIFICATION KIT GPT-750()I

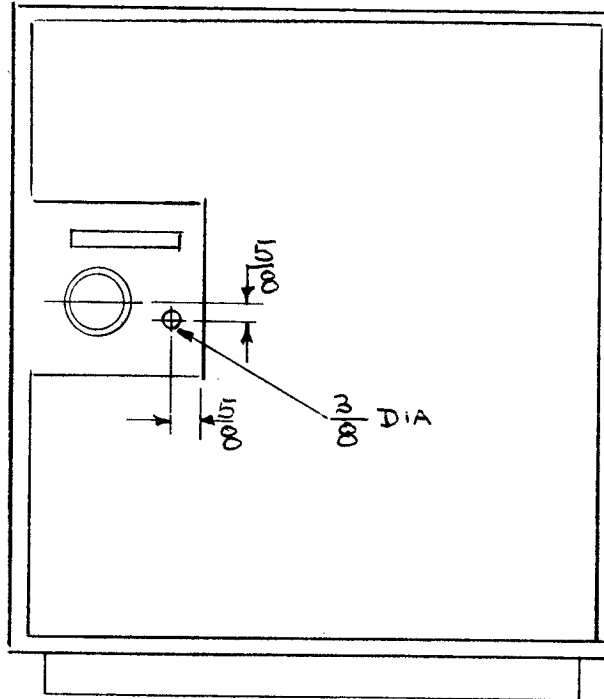


FIG. I  
REAR OF GPT-750() I

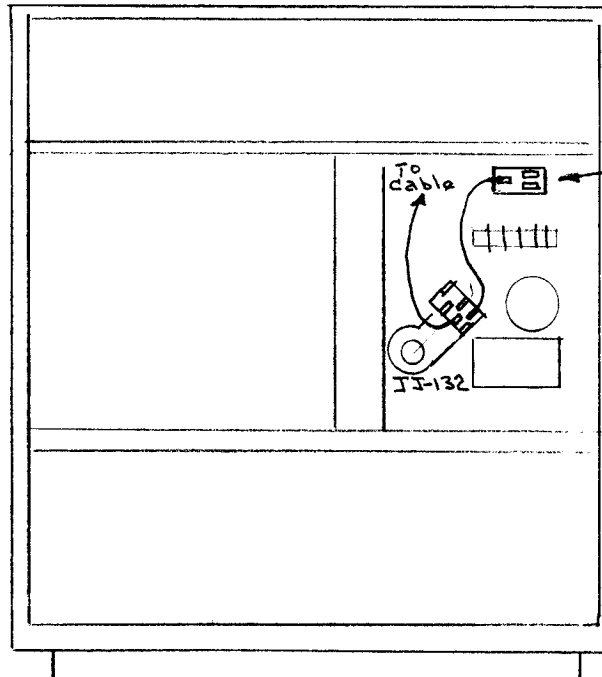


FIG. II  
INTERIOR OF  
POWER PANEL  
GPT-750() I

