

DATE 3-2-59

SH. 1 OF 2

COMPILED BY

RWB

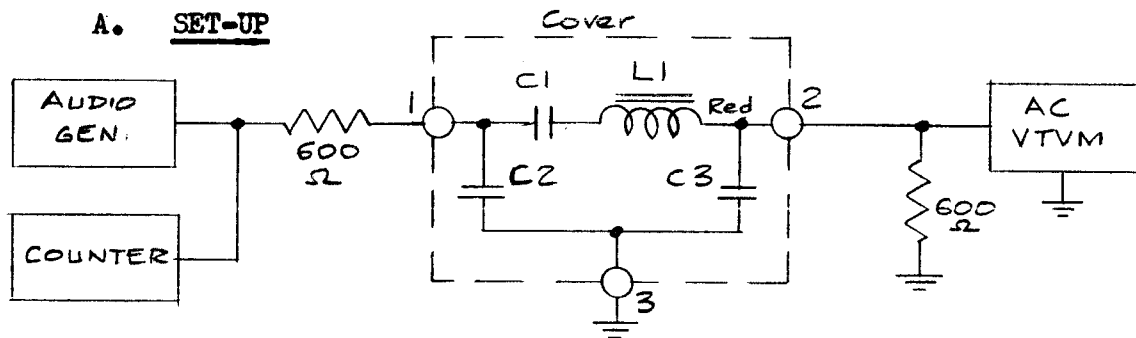
TMC SPECIFICATION NO. S-417

TITLE: RESONATING AND TEST PROCEDURE FOR FX-156

JOB

APPROVED

- I. Refer to drawing A-1651. Follow procedure steps 1 and 2 of A-1651.
- II. Connect red lead of coil (item 4) to terminal 2 of Cover. Connect other end of coil (bare lead), to terminal strip. Leave coil unmounted.
- III. Resonate as follows:

A. SET-UPB. PROCEDURE

1. Tune Audio Generator around bandpass frequency. (935 cps)
Observe VTVM.
2. When Indication is observed, tune generator to Peak Deflection of VTVM.
3. Set output level of Generator so that 1.0 VAC is seen on VTVM.
4. Retune Generator for peak Deflection of VTVM and reset level as per step 3. Counter reading will be below 935 cps.
5. To bring counter reading up to 935 cps (± 10 cps), remove coil (L1) from Test Setup and remove turns as required.
USE CAUTION - Do not remove more turns than necessary. Keep checking to see how close to 935 cps the counter reading is. Each time turns are removed, Step 4 must be repeated.

DATE 3-2-59SH. 2 OF 2

COMPILED BY

RWB

TMC

SPECIFICATION NO. S-417

TITLE: RESONATING AND TEST PROCEDURE FOR FX-156

JOB

APPROVED

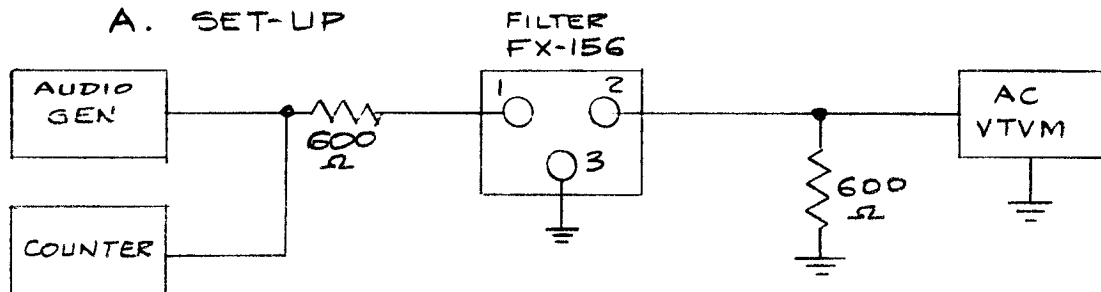
RWB

IV. After resonating, the "End" lead of the coil (bare wire) must be terminated with wire (LWC28(7)U0) as per Specification S-337 and coil drawing, A-1649, items 5, 6, and 7.

V. Refer to drawing A-1651, Step 3, and complete assembly of Filter.

VI. Final Test of Filter.

A. SET-UP



B. PROCEDURE

1. Tune Audio Generator around bandpass frequency. (935 cps).
Observe VTVM.
2. When Indication is observed, tune generator to Peak Deflection of VTVM.
3. Set output level of Generator so that 1.0 VAC is seen on VTVM.
4. Counter reading should be between 925 cps and 945 cps.