

DATE 7/30/58
SH. 1 OF 3

TMC SPECIFICATION NO. S-384

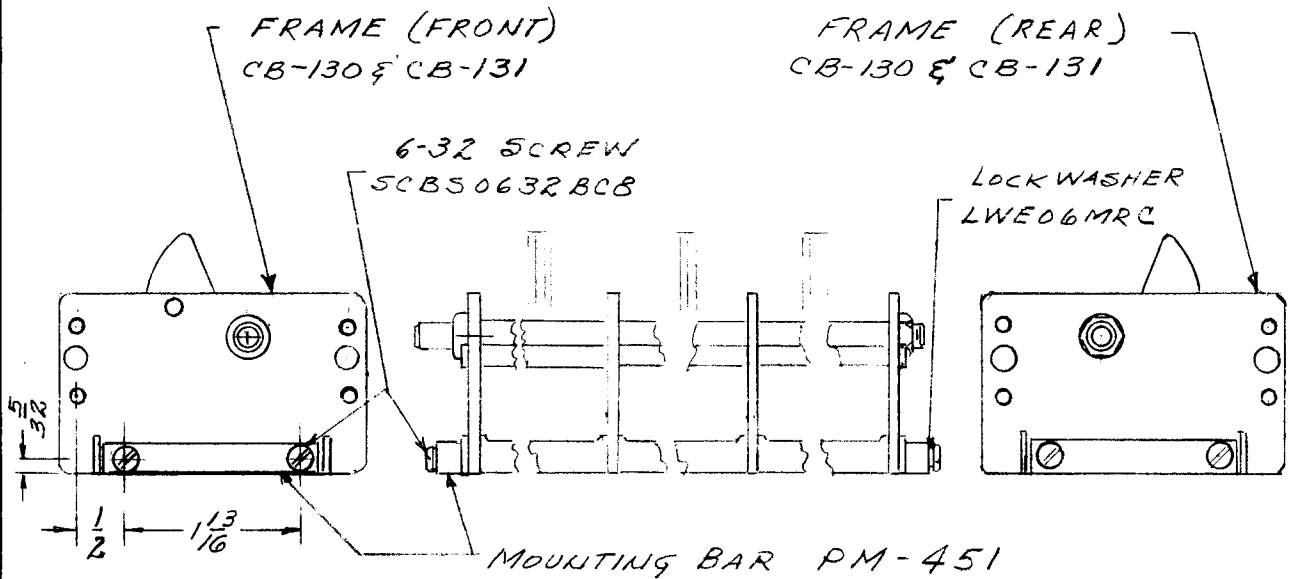
COMPILED BY
asc

TITLE: ASSEMBLY PROCEDURE

GPR-90

JOB

APPROVED DJK



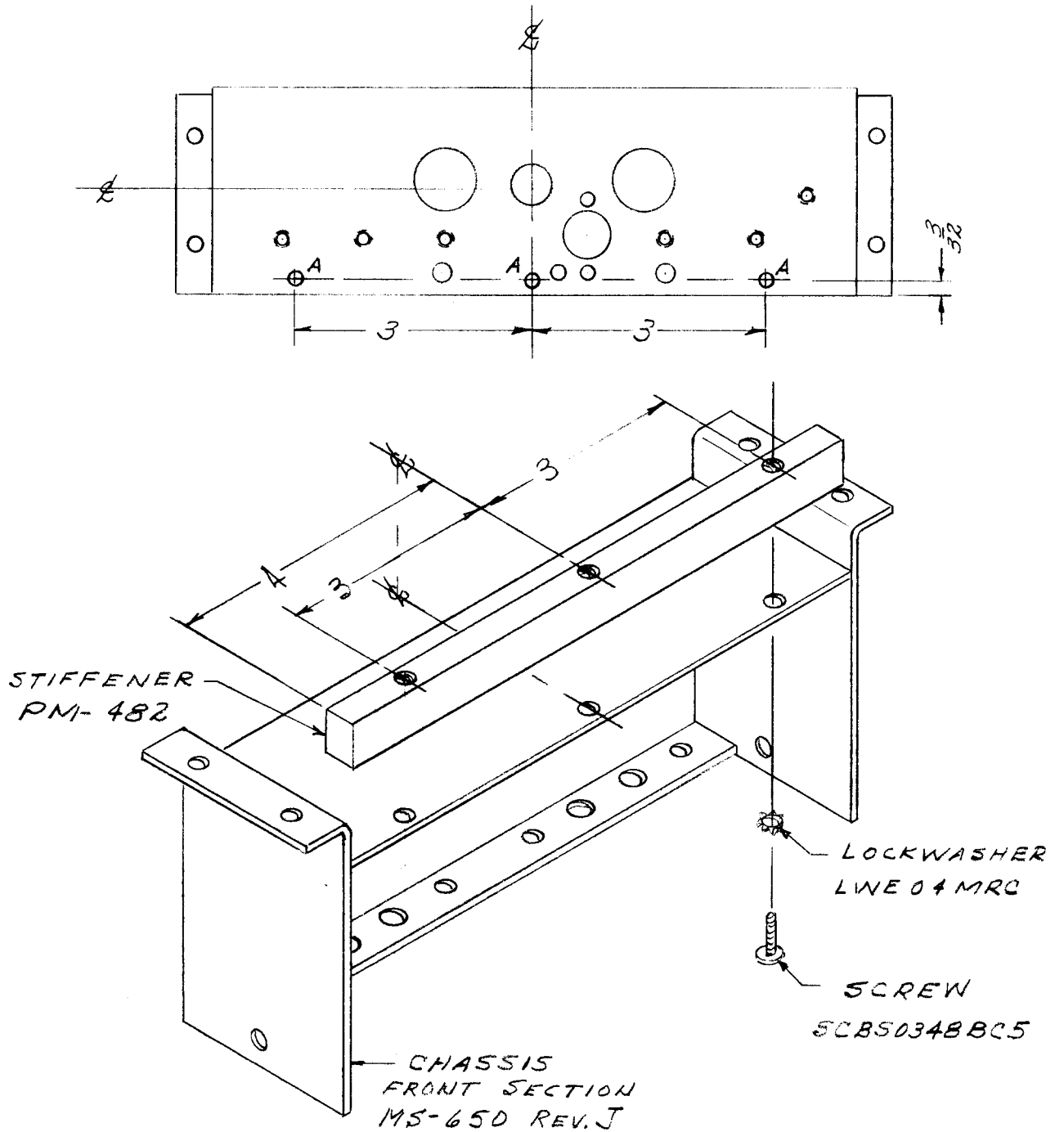
1. BAR IS FASTENED TO CAPACITOR FRAME WITH BOTH FRAME & BAR LYING ON A FLAT SURFACE.
2. CAPACITOR & BAR ASS'Y IS MOUNTED ON CHASSIS USING SELF-THREADING 6-32 SCREWS.

DATE 7/30/58
SH. 1 OF 3
COMPILED BY
awc

TMC SPECIFICATION NO. S-384

TITLE: ASSEMBLY PROCEDURE GPR-50 J B

APPROVED

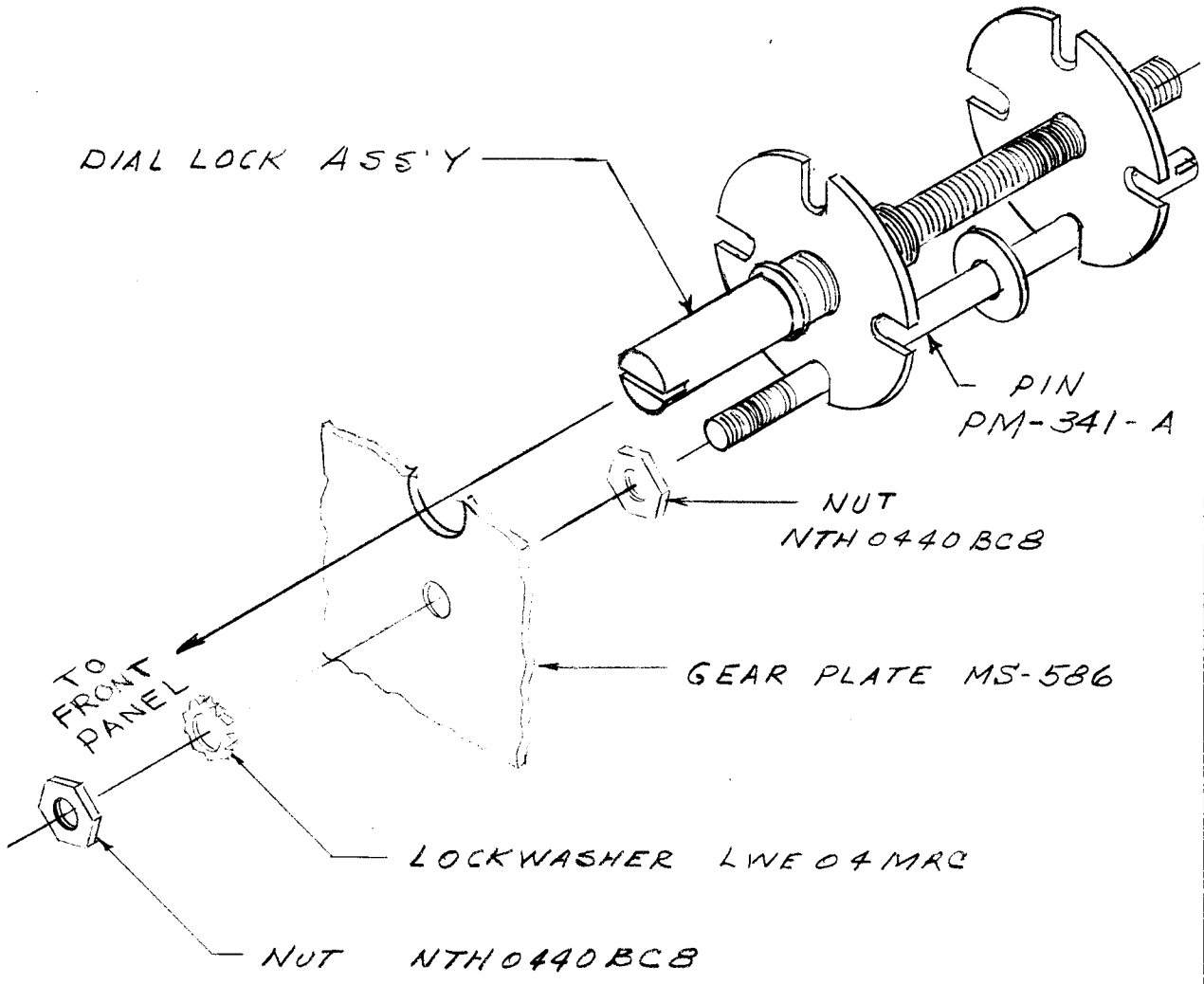


DATE 7/30/58
SH. 2 OF 3
COMPILED BY
AKC

TMC SPECIFICATION NO. S-384

TITLE: ASSEMBLY PROCEDURE GPR-90 J B

APPROVED



ASSEMBLE AS SHOWN