

DATE 2/18/58
SH. 1 OF 1
COMPILED BY
A. J. J.

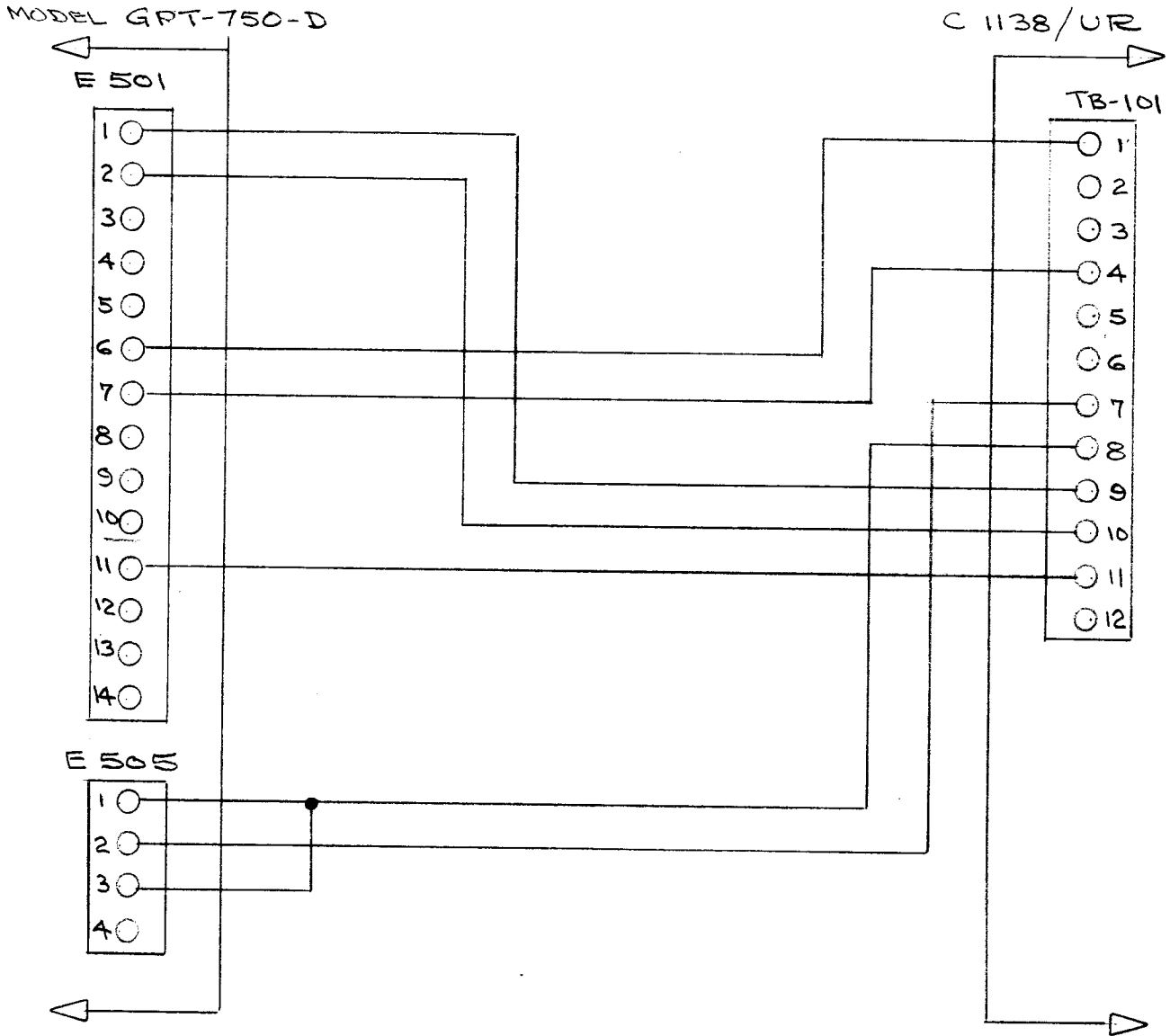
TMC SPECIFICATION NO. S -358

TITLE: COMBINATION OF CONTROL UNIT C-1138/UR WITH

JOB

APPROVED A. J. J. GPT-750-D

The following information is intended to show how the C-1138/UR Control Unit is to be connected to the Model GPT-750-D.



NOTE: All cable wires shall be #22 or heavier and shall be insulated for 500 V or greater.