

# TMC SPECIFICATION

NO. S 286

REV:

COMPILED:

CHECKED:

APPD:

SHEET 1 OF 3

TITLE:

TRC-500-70U/600B

TEST PROCEDURE

# TMC SPECIFICATION

NO. S 286

REV: \_\_\_\_\_

COMPILED: \_\_\_\_\_

CHECKED: \_\_\_\_\_

APPD: \_\_\_\_\_

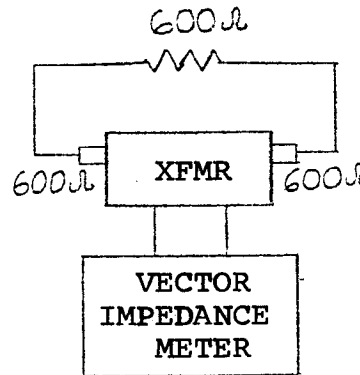
SHEET 2 OF 3

TITLE: TRC-500-70U/600B TEST PROCEDURE

**TEST EQUIPMENT REQUIRED:**

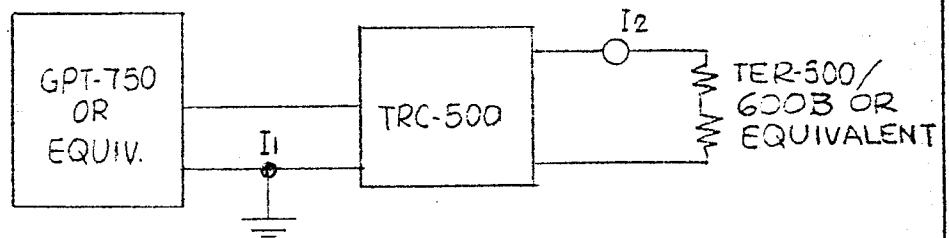
1. H.P. Model 4815A R.F. Vector Impedance Meter.
2. 600 ohm load VSWR 1.2 or less.
3. 1, 1A. R.F. Meter. (Internal Thermocouple)
4. 1. 5A. R.F. meters. (Internal Thermocouple)
5. Dummy load TER 500/600B or equivalent.

**1. R.F. Bridge Measurements**



- a.) Hook up test equipment and Transformer as shown (keeping all terminating leads as short as possible.)
- b.) Resistance and Reactance should show VSWR 2:1 or better as plotted on Smith Chart.

**2. Power Test**



Set up transmitter at 20 Mcs, connect TRC-500 and load to reading of 3.16 amperes at  $I_1$  Record Reading of  $I_2$ .

Test Data  
+10%

Load	$I_1$	$I_2$
600	2.7A	.9A

# TMC SPECIFICATION

NO. S 286

REV:

COMPILED:

CHECKED:

APPD:

SHEET

3

OF

3

TITLE:

TRC-500-70U/600B

TEST PROCEDURE

THE TECHNICAL MATERIEL CORPORATION  
MAMARONECK, N.Y.

TRC-500-70U/600B TEST DATA SHEET

SERIAL NO. \_\_\_\_\_

MFG. NO. \_\_\_\_\_

## TEST 1 BRIDGE MEASUREMENTS

Freq. Mcs.	Impedance	Degrees	S.W.R.
2			
4			
8			
12			
16			
20			
24			
28			
30			

VSWR should be within 2:1 as plotted on Smith Chart

DATE: \_\_\_\_\_

TESTER: \_\_\_\_\_

# TMC SPECIFICATION

NO. S **286**

REV: \_\_\_\_\_

COMPILED: \_\_\_\_\_

CHECKED: \_\_\_\_\_

APPD: \_\_\_\_\_

SHEET **3** OF **3**

TITLE: **TRC-500-70U/600B TEST PROCEDURE**

THE TECHNICAL MATERIEL CORPORATION  
MAMARONECK, N.Y.

TRC-500-70U/600B TEST DATA SHEET

SERIAL NO. \_\_\_\_\_

MFG. NO. \_\_\_\_\_

TEST 1 BRIDGE MEASUREMENTS

Freq. Mcs.	Resistance	Reactance
2		
4		
8		
12		
16		
20		
24		
28		
30		

VSWR should be within 2:1 as plotted on Smith Chart

TEST 2 TRANSMITTER LOAD TEST

LOAD	I <sub>1</sub>	I <sub>2</sub>
600	2.7A	

( I<sub>2</sub> = .9A , Tolerance +10% )

DATE: \_\_\_\_\_

TESTER: \_\_\_\_\_

