

DATE 3/17/55
 SH. 1 OF 1

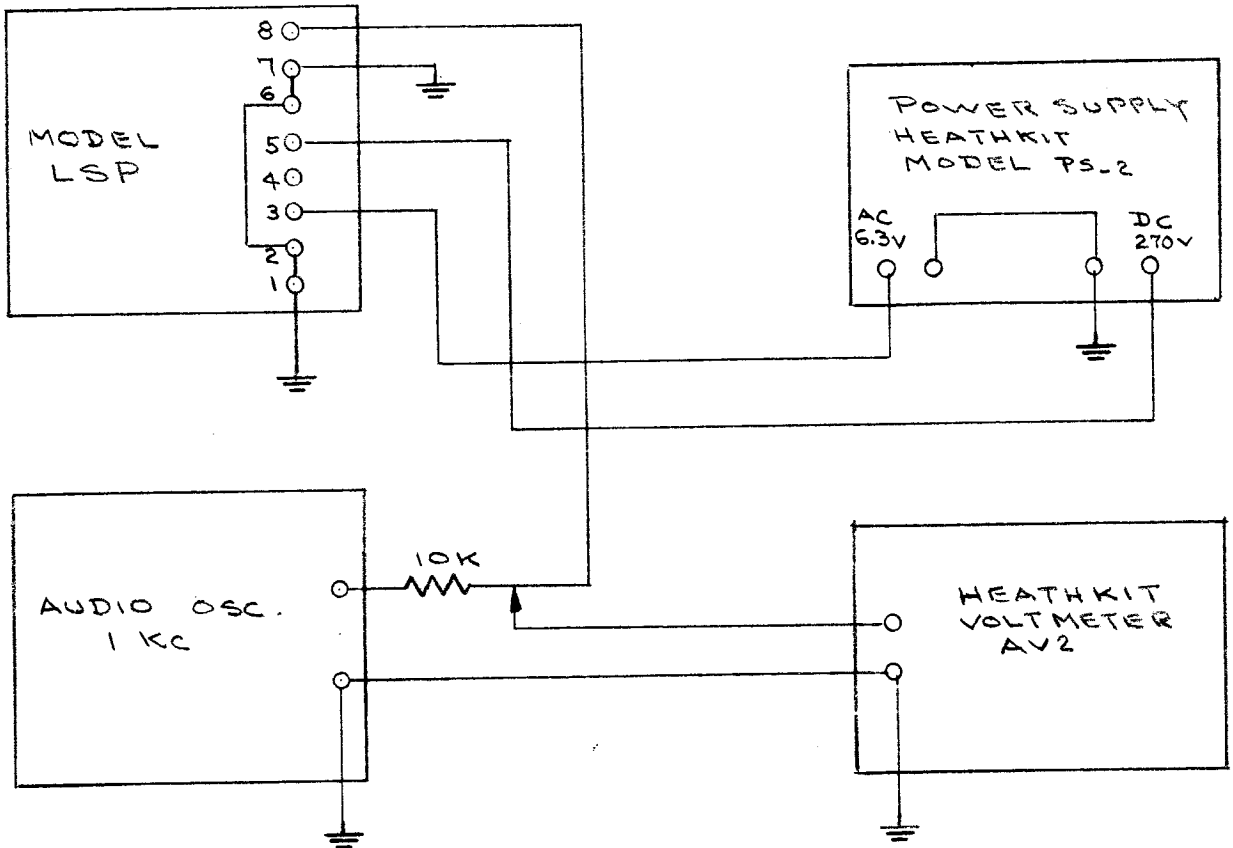
TMC SPECIFICATION NO. S-252

COMPILED BY
S.R.

TITLE: TEST PROCEDURE LSP

JOB

APPROVED *AMB*



VOLTAGE CHART

PINS	VOLTS
1	+ 190
2	
3	+ 7
4	6.3 AC
6	+ 190
7	
8	7

SET AUDIO OSC. TO 1000 cy

SET AUDIO LEVEL TO 1 VOLT OUTPUT.

WITH GAIN CONTROL AT MAXIMUM CHECK OUTPUT WITH SIMPSON METER (METER ON OUTPUT POSITION) CHECK FROM P TO P ON T2 OUTPUT SHOULD READ 30 VOLTS.