

TMC SPECIFICATION

NO. S 1349

REV:

COMPILED: *HOB*CHECKED: *A*

APPD:

SHEET 1 OF 2

TITLE: KIT420 Installation Instructions

I. Equipment Affected:

General Purpose Receiver Model GPR-110

II. Section(s) Affected:

Power Supply (BMA513)
HF Mixer Input Assembly Z307 (A4974/PC700).

III. KIT420 consists of:

1 each, TF434 Transformer, Power (T201)
1 each, DD149 Rectifier (Z1)

IV. Items To Be Returned:

After installation of Kit420, please return TF427 and DD148 to The Technical Materiel Corporation, 700 Fenimore Road, Mamaroneck, New York 10543

V. Installation Procedure:

A. T201 Transformer Replacement

1. Remove R201 and R202. Retain hardware for re-assembly. (Do not unsolder or remove wires)
2. Remove hardware retaining T201 (TF427) and unsolder wires attached to transformer taps. (Note location of wires and taps for re-assembly).
- *3. Install new T201 (TF434), noting orientation of taps and solder wires to taps in same location as old transformer.
4. Re-install R201 and R202.

*Note: For line variations refer to Figure 1 for hookup information.

B. Z1 Rectifier Replacement

1. Locate HF Oscillator housing, remove cover and retain hardware.
2. Remove Z307 PC board assembly from housing by unsoldering four (4) coax wires and removing two (2) screws. Note location of wires for re-assembly.
3. Remove Z1 (DD148), note orientation of unit on PC board.
4. Install new Z1 (DD149), using same orientation of unit on PC board.

TMC SPECIFICATION

NO. S1349

REV:

COMPILED: *JRP*

CHECKED: *L*

APPD:

SHEET

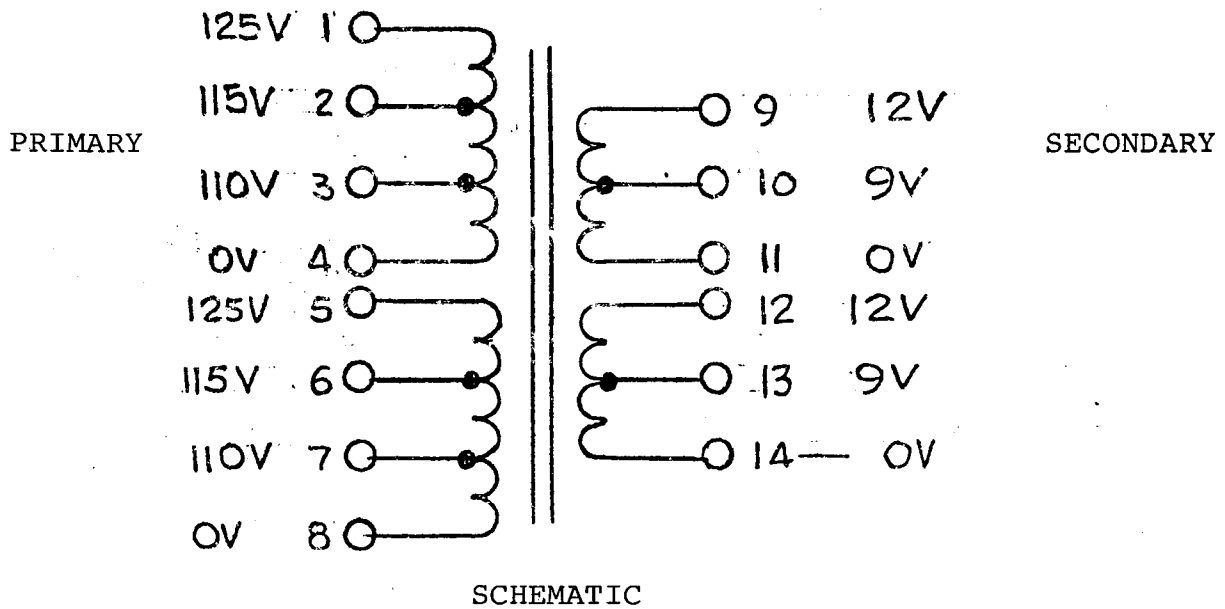
2

OF

2

TITLE: KIT420 Installation Instructions

5. Replace assembly in unit using existing hardware and re-solder coax wires in proper location.
6. Replace HF Oscillator cover using existing hardware.



SPECIFICATIONS:

Primary Tapped: 110/115/125 VAC 50/60 Hz
220/230/250

Secondary Tapped: 12 V @4 amps at 115/230 V primary
9 V @4 amps

Figure 1