

TMC SPECIFICATION

NO. S 1206

*REV:

COMPILED: *WBE/100*CHECKED: *LED/BA*APPD: *SJM*

SHEET

1

OF

3

TITLE: SBE 8,9,10

KEYING MODIFICATION

REF: AX621, AX204-8

KIT-343

A. MATERIAL SUPPLIED

<u>ITEM NO</u>	<u>SYMBOL</u>	<u>QTY</u>	<u>TMC PART NO</u>	<u>DESCRIPTION</u>
1		1		1/4 DIA. twist drill 6-1/8" long (jobber length)
2	C312	1	CK70AW102M	Capacitor fixed ceramic 1000 uuf \pm 20%, 500 V.
3	R219	1	RC20GF680J	Resistor 1/2 watt 68 ohm
4		6"	MWC22(7)U5	Wire, insulated, green
5		1	WP362	Nameplate, modification

B. MODIFICATION PROCEDURE

1. Remove bottom cover.
2. Remove RF section bottom cover (LD388/MS1212).
3. Remove R219, 68 ohms 1/2 watt resistor, and discard.
4. Locate component assembly board #A4408, mounted on right side plate adjacent to T109 and T110, and remove 2 mounting screws. (Do not discard).
5. Carefully rotate assembly board 90° and place on chassis, component side down.
6.
 - (a) On right side plate, locate a point 4 3/4" from front panel and 1" down from bottom edge and drill 1/4" dia hole, "A" (see figure 1), using twist drill (item 1).
 - (b) With drill still in this position, continue and drill 1/4" dia hole, "B" (see figure 1), through 2nd RF. Chassis, (LD361/MS1088), carefully avoiding adjacent components and component assembly board.
7. Remove any metal chips left from drilling operation.
8. Replace component assembly board (A4408).
9. Install capacitor, C312 (item 2), in hole "B".
10. Install new resistor, R219 (item 3), between Pin 1 V119, and lug on capacitor (C312). (See figure 2).

TMC SPECIFICATION

NO. S 1206

REV:

COMPILED:

CHECKED:

APPD:

SHEET 2 OF 3

TITLE: SBE 8,9,10

KEYING MODIFICATION

REF: AX621, AX204-8

KIT-343

MODIFICATION PROCEDURE Cont'd

11. Connect green wire, Item 4, between capacitor C312 and C208 (see figure 2).
12. Modification is complete. Replace all covers, and affix nameplate, Item 5, to rear of unit.
13. Insert change notice supplied with this kit in SBE Technical Manual.

TMC SPECIFICATION

NO. S 1206

REV:

COMPILED:

CHECKED:

APPD:

SHEET 3 OF 3

TITLE: SBE 8,9,10

KEYING MODIFICATION

REF: AX621, AX204-8

KIT-343

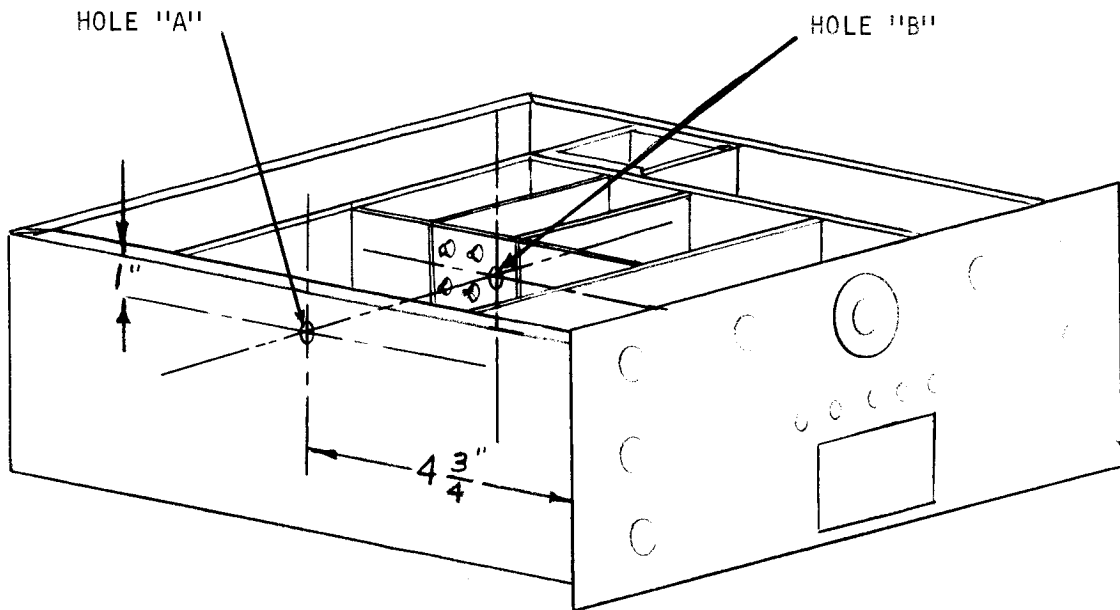


Figure 1.

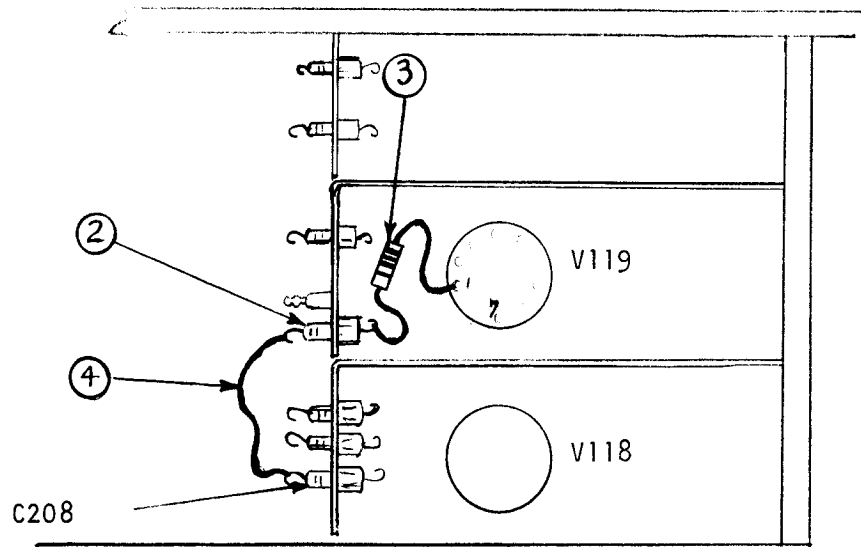


Figure 2.

