

# TMC SPECIFICATION

NO. S 1171

REV:  $\emptyset$

COMPILED: BL

CHECKED:

APPD: LB *[Signature]*

SHEET 1 OF 3

TITLE:

2/28/67 jb

TR-047A  
TEST PROCEDURE

# TMC SPECIFICATION

NO. S 1171

REV:

COMPILED:

CHECKED:

APPD:

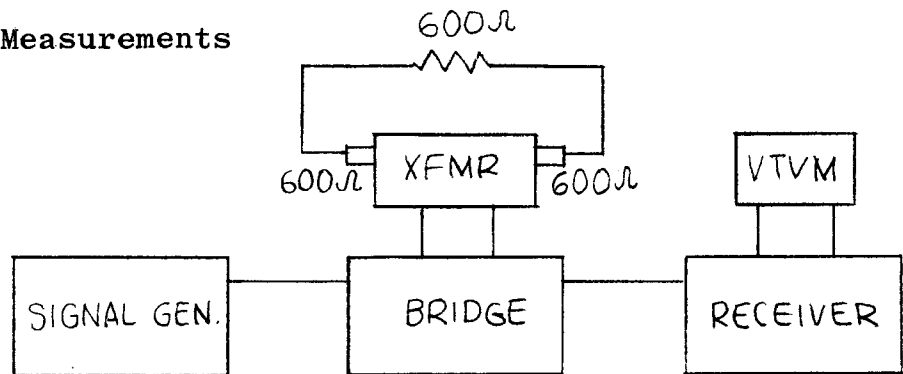
SHEET 2 OF 3

TITLE: TR-047A TEST PROCEDURE

## TEST EQUIPMENT REQUIRED:

1. R.F. Generator measurement Corp. Mod. 82 or equivalent.
2. R.F. Bridge.
3. General Purpose Receiver Model (GPR92) or equivalent.
4. VTVM
5. 600 ohm load VSWR 1.2 or less.

### 1. R. F. Bridge Measurements



- a.) Hook up test equipment and Transformer as shown (keeping all terminating leads as short as possible)
- b.) *VSWR* should be within 2:1 as plotted on Smith Chart.

# TMC SPECIFICATION

NO. S 1171

REV: \_\_\_\_\_

COMPILED: \_\_\_\_\_

CHECKED: \_\_\_\_\_

APPD: \_\_\_\_\_

SHEET 3 OF 3

TITLE: TR-047A TEST PROCEDURE

THE TECHNICAL MATERIEL CORPORATION  
MAMARONECK, N.Y.

TR-047A

TEST DATA SHEET

SERIAL NO. \_\_\_\_\_

MFG. NO. \_\_\_\_\_

TEST 1 BRIDGE MEASUREMENTS

Freq. Mcs.	Resistance	Reactance
2		
4		
8		
12		
16		
20		
24		
28		
30		

*VSWR* = should be within 2:1 as plotted  
on Smith Chart.

DATE: \_\_\_\_\_

TESTER: \_\_\_\_\_

