

TMC SPECIFICATION

NO. S 1147

REV: 0 ABC

COMPILED:

CHECKED:

APPD: *10/24/66*

SHEET

1

OF 7

TITLE:

KIT 246

I. EQUIPMENT AFFECTED

A. GPT-40K

II. PURPOSE

A. To provide protective covers for exposed hazardous voltages.

III. MATERIALS SUPPLIED IN KIT

<u>ITEM NO.</u>	<u>TMC PART NO.</u>	<u>QTY.</u>	<u>DESCRIPTION</u>
1	KIT-245 (S1059)	1	KIT: Parts & instructions for 10K portion
2	LD-2054 (PX972)	1	Cover Circuit Breaker motorized
3	MS-3760	1	Bracket Mtg. It. 6
4	NP362-77	1	Name Plate Modification
5	NP-753	1	Decal
6	PX940-2	1	Cover protect Circuit breaker
7	LD2181 (PX973 -3)	1	Cover protect Transformer
8	SCBP0632BN6	2	Screw Machine
9	FW06HBN	2	Washer, Flat
10	LWE06MRN	2	Lockwasher Ext
11	SCBP0832BN12	1	Screw Machine
12	PX-1002	2	Block Mtg.
13	FW10HBN	2	Washer, Flat
14	LWE10MRN	2	Lockwasher, Ext.
15	SCBP1032BN8	2	Screw, Machine

TMC SPECIFICATION

NO. S 1147

REV:

0 A B C

COMPILED:

CHECKED:

APPD:

SHEET 2 OF 7

TITLE:

KIT 246

IV. TOOLS REQUIRED

To be provided by installing activity

1. Screwdriver Set (Phillips)

V. PROCEDURE

CAUTION ----- CAUTION ----- CAUTION

Remove all A.C. input to Transmitter before proceeding with modification. Ground out all circuitry with adequate shorting stick.

1. Preparation for Modification:
KIT-245 being considered as accomplished; Less It. 12
 - a. Disconnect and remove bias drawer from PA Frame.
 - b. Disconnect and remove relay panel from PA Frame.
 - c. Remove rear lower shield of PA Frame (check with Note 1 of Parts Peculiar Sheet if applicable).
 - d. Remove lower front panel of P.S. Frame (check with Note 1 of Parts Peculiar Sheet if applicable).
2. Installation of Cover for Motorized Circuit Breaker: Fig. I.
 - a. Mount It. 2 (LD-2054) as per Fig. I. Force fit between Motor portion and Switch portion as indicated.
3. Installation of Cover for Main Power Circuit Breaker on PA Control Panel: Fig. II.
 - a. Mount Item 3 (MS-3760) with Item 11 (SBBP0832BN12)
 - b. Remove protective backing of Item 5 (NP-753) Decal and adhere to rear of Item 6 (PX940-2).
 - c. Mount Item 6 (PX940-2) to Item 3. (MS-3760) with two each Item 8 (SCBP0632BN8), Item 9 (FW06HBN) and Item 10 (LWE06MRN).
4. Installation of Cover for Auto-Transformer (480 volt) (check with Note 1 Parts Peculiar Sheet if applicable. Fig. III).
 - a. Mount two each Item 12 (PX-1002) straddling the

TMC SPECIFICATION

NO. S 1147

REV:

A B C

COMPILED:

CHECKED:

APPD:

SHEET 3 OF 7

TITLE:

KIT 246

3/8 inch thick Terminal Board of Transformer as indicated in Fig. III.

- b. Position Item 7 (LD2181) on Item 12 (PX-1002) and mount with two each Item 13 (FW10HBN), Item 14 (LWE10MRN) and Item 15 (SCBP1032BN8).
 - c. Tighten the blocks inward so as to remove slack and sandwich Transformer Terminal Board into slots of Item 12 (PX1002).
5. Remove protective backing of Item 4 (NP362-77) and attach to Transmitter as evidence of completed modification.
 6. Re-assemble Transmitter to mechanical operational status.

PARTS PECULIAR

NOTE 1: When it is established that the equipment being modified is of the type with a 480 volt supply then proceed as indicated. However, if there is no 480 volt Transformer then disregard steps in procedure as noted.

TMC SPECIFICATION

NO. S 1147

REV: 0 ABC

COMPILED:

CHECKED:

APPD:

SHEET 4 OF 7

TITLE:

KIT 246

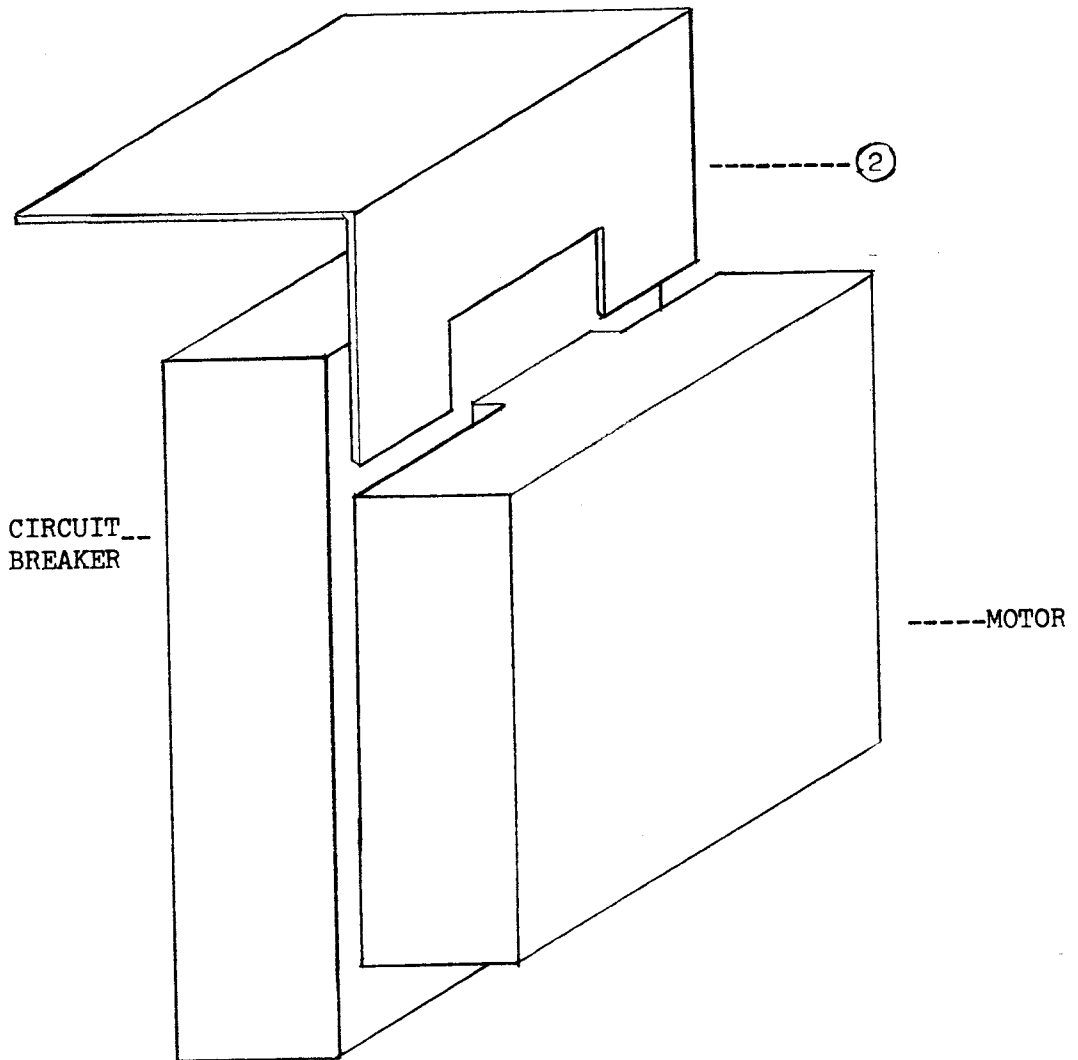


FIGURE 1

TMC SPECIFICATION

NO. S 1147

REV: **Ø A B C**

COMPILED:

CHECKED:

APPD:

SHEET **5** OF **7**

TITLE:

KIT 246

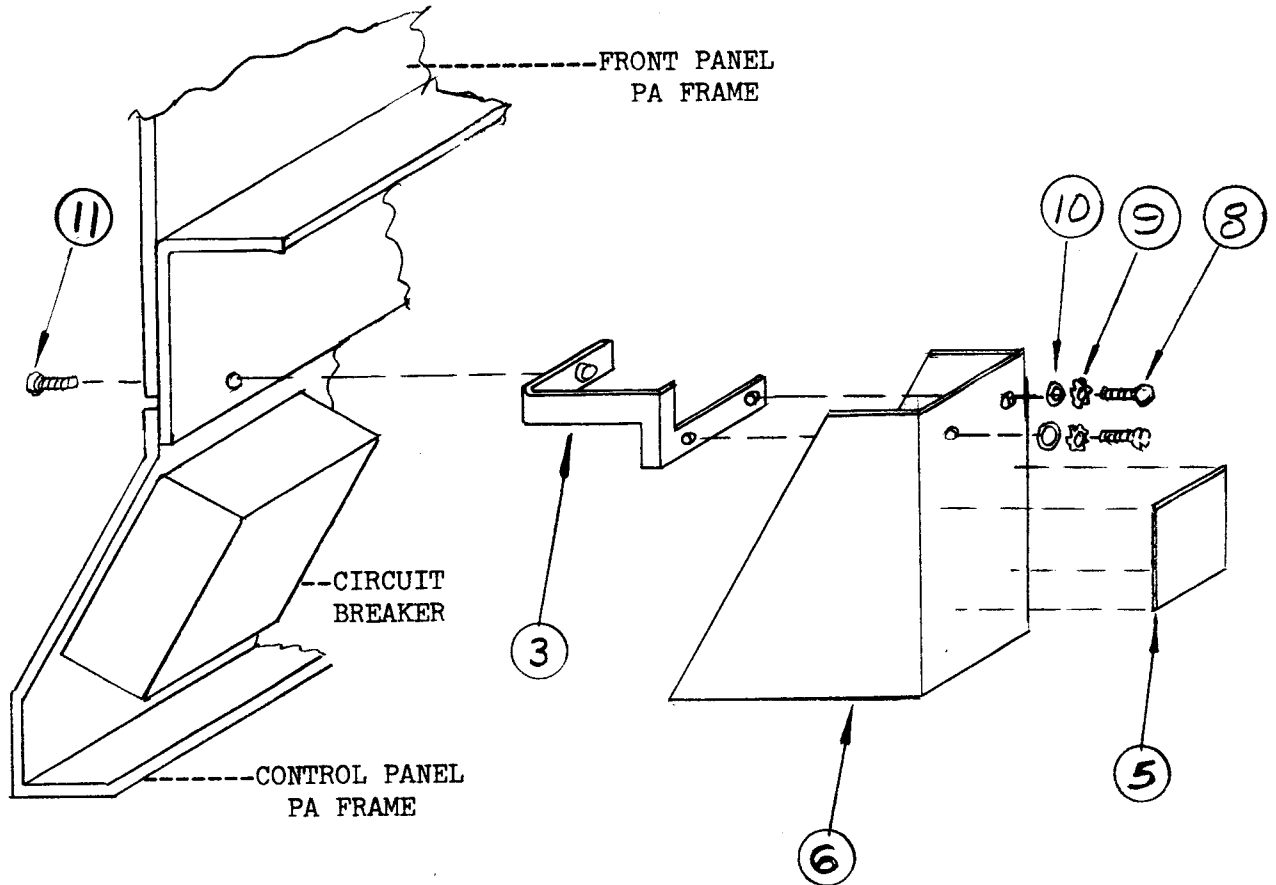


FIG. 2

TMC SPECIFICATION

NO. S 1147

REV: **A B C**

COMPILED:

CHECKED:

APPD:

SHEET **6** OF **7**

TITLE:

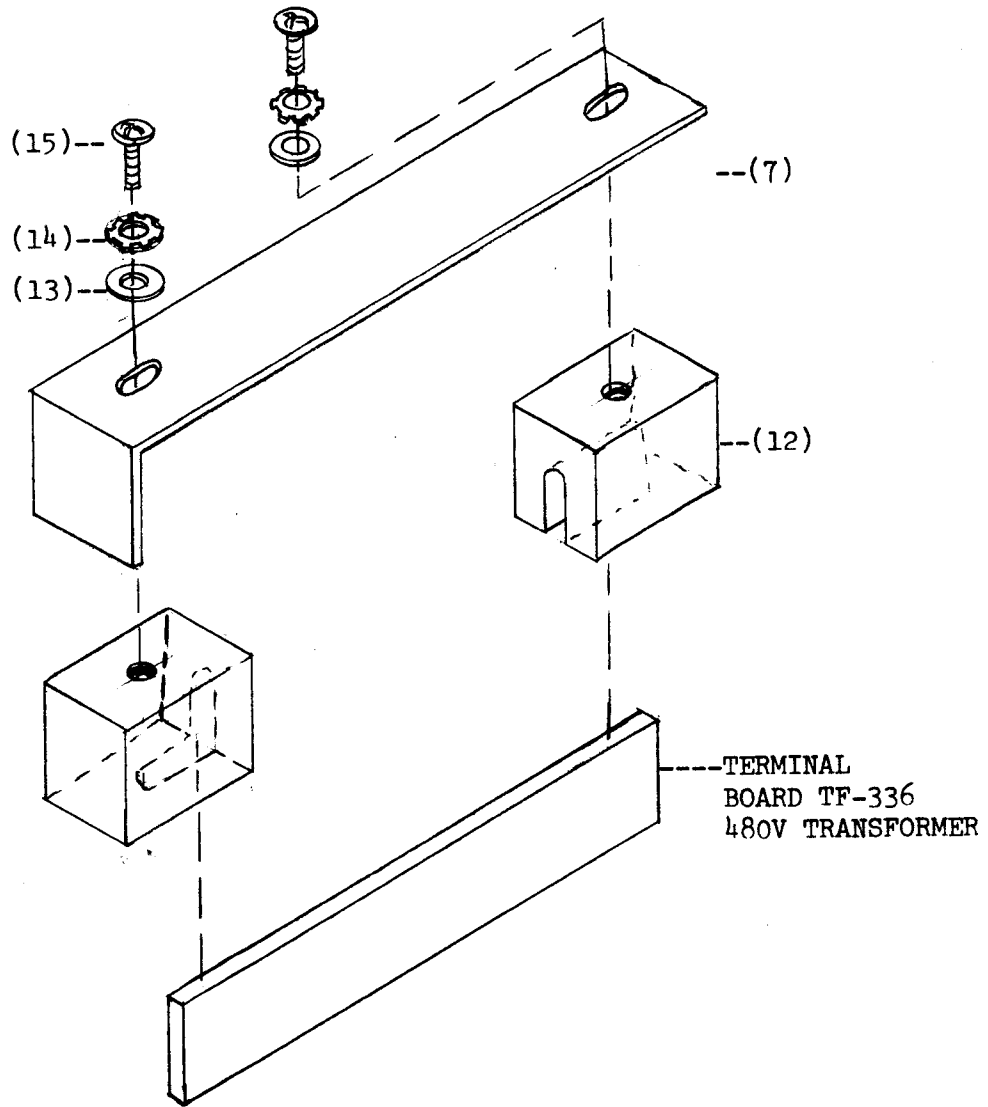


FIGURE 3

SEE NOTE 1 PARTS PECULIAR

