

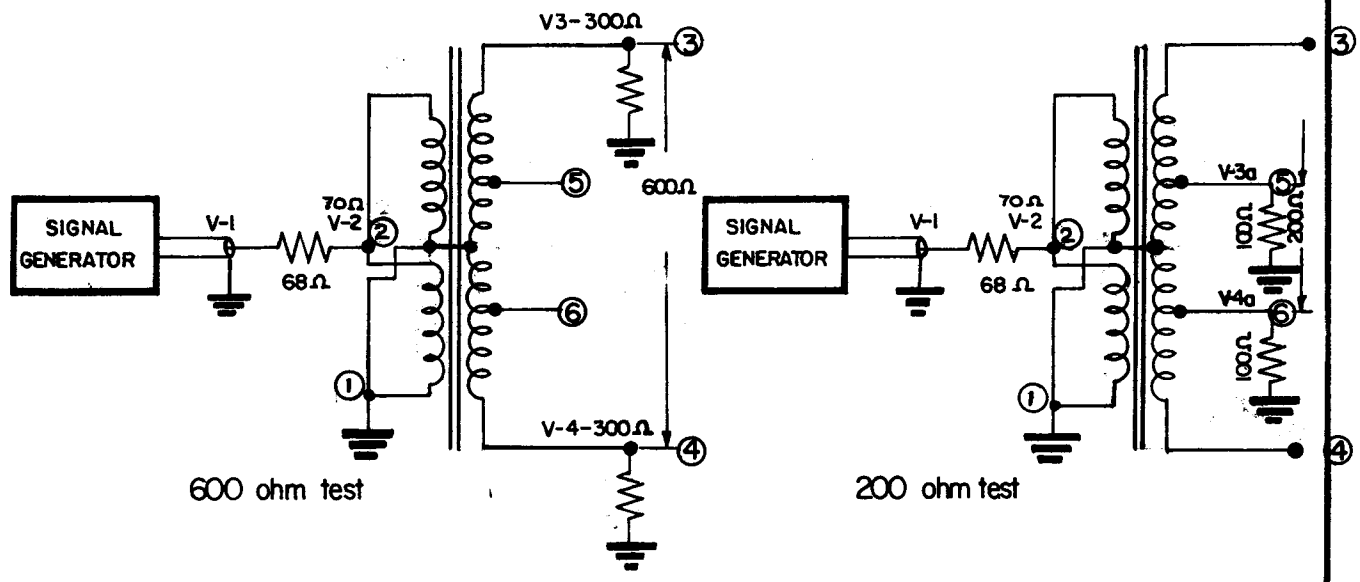
DATE Oct. 1/58
 SH. 1 OF 1
 COMPILED BY

TMC SPECIFICATION NO. S-10 021

TITLE: TRO 54 TRANSFORMER TEST PROCEDURE JOB

APPROVED *[Signature]*

[Signature]



FREQUENCY IN MC/S

RF VOLTS	2	8	24	32
V1	1.0	1.0	1.0	1.0
V2	0.50	0.50	0.50	0.50
V3	0.73	0.71	0.69	0.68
V4	0.73	0.71	0.69	0.68

± .15
 ± .05
 ± .05 } 600 ohms

FREQUENCY IN MC/S

RF VOLTS	2	8	24	32
V1	1.0	1.0	1.0	1.0
V2	0.50	0.50	0.50	0.50
V3	0.42	0.41	0.39	0.39
V4	0.42	0.41	0.39	0.39

± 0.15
 ± .05
 ± .05 } 200 ohms

