

DATE Mar. 29/56
SH. 1 OF 2
COMPILED BY

TMC SPECIFICATION NO. S-10011

TITLE: ELECTRICAL TEST SPEC. FOR TRO69

JOB WT-7

APPROVED

W. F. J.

TEST EQUIPMENT REQUIRED:

1. Standard signal generator Measurement Corporation Model 82.
2. Vacuum Tube Voltmeter Hewlett Packard Model 410B.
3. Stock 68 ohm resistors. and one 10 ohm resistor.
4. One engineering prototype TRO69.

PROCEDURE:

Assemble the test part of the circuit as shown within the dotted line in Fig. 1 using the engineering prototype in the TRO69 #1 position.

Connect the transformer under test in the TRO69 #2 position and terminate with a 68 ohm resistor.

Set the signal generator for one volt output as measured at V1 with the Hewlett Packard Vacuum Tube Voltmeter. Signal generator modulation is zero. Record voltage at V2 and V3 in Table 1. Readings obtained for V3 should not be less than those given in column three.

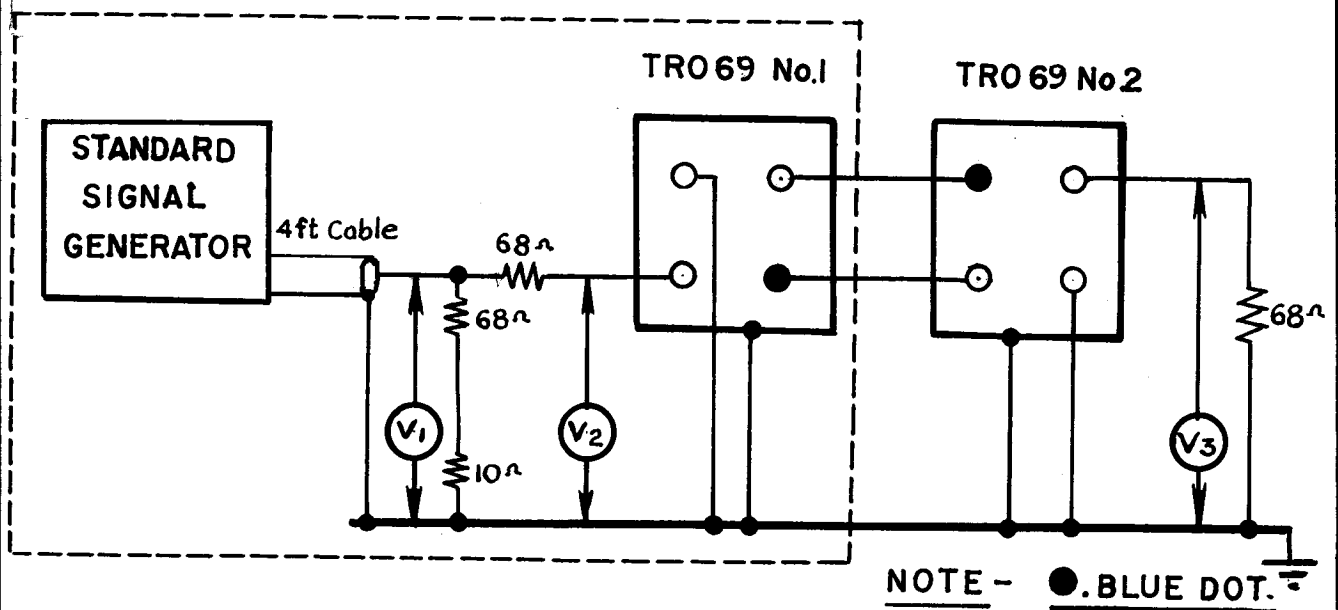


FIGURE 1.

