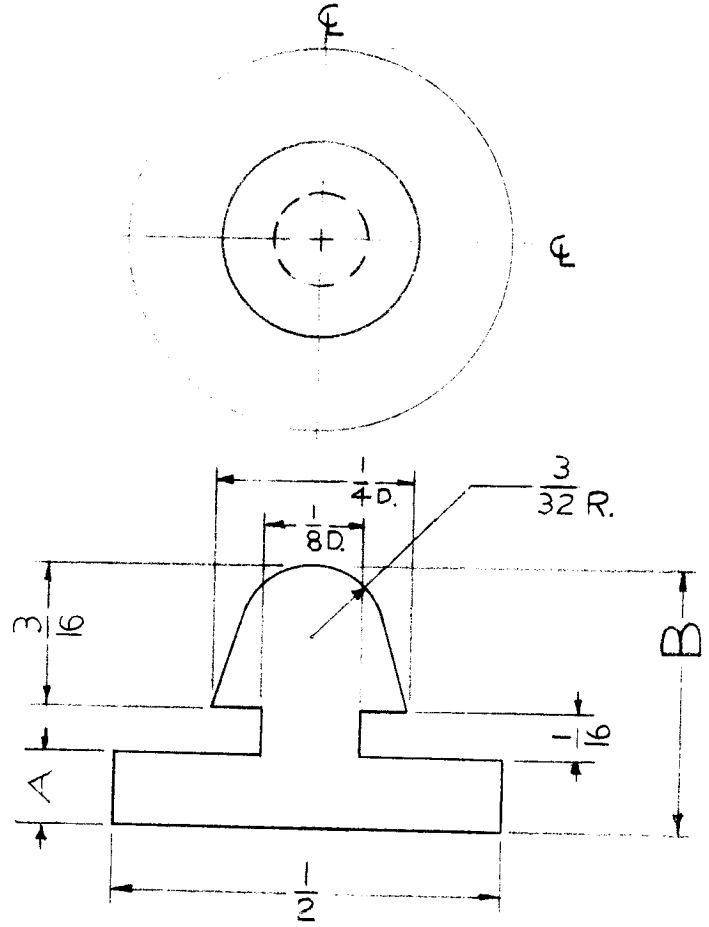


TMC PART NO.	MFG. PART NO.	A	B
RY-135-1	1178-1	3/32	11/32
RY-135-2	1178-2	5/32	13/32
RY-135-3	1178-3	13/32	21/32

REQ. PER. UNIT	USED ON		
	MODEL	ASSY. NO.	DATE
	TER-25K		9-28-61

RY-135



ISSUE	ITEM	CHANGED FROM	DATE	CH. NO.	DRAFTS	CHECKER	ENG. APP.
TOLERANCES			SCALE: X4				
DEC. DIM. ±			MAXIMUM ALLOWABLE TOLERANCES HAVE BEEN DETERMINED AND ANY DEVIATIONS WILL BE CAUSE FOR REJECTION. REMOVE ALL BURRS AND SHARP EDGES				
FRAC. DIM. ±							
ANGULAR DIM. ±							

REQ.	ITEM	PART NO.	DESCRIPTION		SYMBOL
			THE TECHNICAL MATERIEL CORP.		
			MAMARONECK, NEW YORK		
			RUBBER BUMPER		
			GROMMET TYPE		
			LG	DJ	OB
			TYPE & TEMPER	HEATTREAT. SPEC.	DRAWN
					CHECKED
					FINAL APPROVAL
			FINISH & SPEC. NO.	ELEC. DES. APP	MECH. DES. APP
					RY-135