

IF IT IS FOUND DESIRABLE TO CHANGE ANY TOLERANCE OR OTHER DETAIL SPECIFIED ON THIS DRAWING NOTIFY THE PURCHASER PROMPTLY.

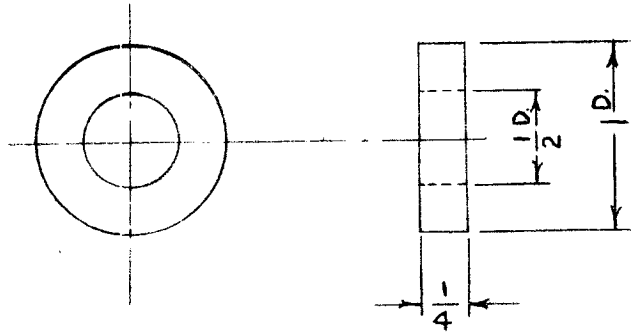
RELEASED

RY-101

MAXIMUM ALLOWABLE TOLERANCES HAVE BEEN DETERMINED AND DEVIATIONS WILL BE CAUSE FOR REJECTION. REMOVE ALL BURRS AND SHARP EDGES

USED ON

MODEL	PROJECT NO.	ASS'Y. NO.	DATE
TWR-115	151	A-219	9-11-52
TWR-115	151	A-218	9-11-52



REQ.	ITEM	PART NO.	DESCRIPTION	SYMBOL
		1 DIA.	THE TECHNICAL MATERIEL CORP.	
		STOCK SIZE	MAMARONECK, NEW YORK	
		NEOPRENE	ELASTIC INSERT	
		MATERIAL		
		WEIGHT PER PC.		
		DURUMETER HARDNESS		
		45-50		
		TYPE & TEMPER		
		HEAT TREAT. SPEC.		
		FINISH & SPEC. NO.		

ISSUE	ITEM	CHANGED FROM	DATE	CN. NO.	DRAFTS	CHECKER	ENG. APP.
TOLERANCES			SCALE FULL SIZE				
ALL OTHERS	DEC. DIM. $\pm \frac{1}{64}$	DRILL, PUNCH, COMMERCIAL STOCK SIZES AND MANUFACTURERS TOLERANCES ARE NOT INCLUDED.					
	FRAC. DIM. $\pm \frac{1}{64}$						
	ANGULAR DIM. \pm						

DRAWN	ELEC. DES. APP.	MECH. DES. APP.
<i>A. J. Gabel</i>		<i>PWT</i>
CHECKED	FINAL APPROVAL	
<i>JAD</i> 11/14/52		

RY-101

IF IT IS FOUND DESIRABLE TO CHANGE ANY TOLERANCE OR OTHER DETAIL SPECIFIED ON THIS DRAWING NOTIFY THE PURCHASER PROMPTLY.

RY-101

MAXIMUM ALLOWABLE TOLERANCES HAVE BEEN DETERMINED AND DEVIATIONS WILL BE CAUSE FOR REJECTION. REMOVE ALL BURRS AND SHARP EDGES

TWR-116

USED ON

MODEL

PROJECT NO.

ASS'Y. NO.

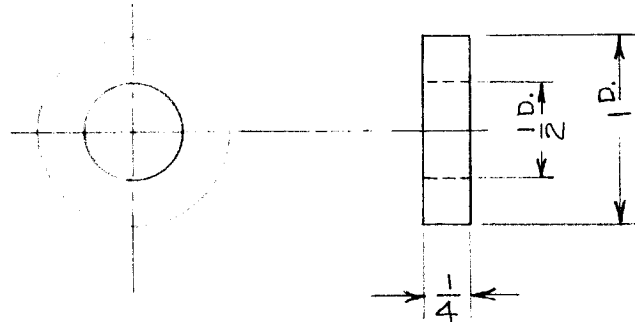
DATE

NOTICE TO PERSONS RECEIVING THIS DRAWING

THE TECHNICAL MATERIEL CORPORATION claims proprietary right in the material disclosed hereon. This drawing is issued in confidence for engineering information only and may not be reproduced or used to manufacture anything shown hereon without permission from THE TECHNICAL MATERIEL CORPORATION to the user. This drawing is loaned for mutual assistance and is subject to recall at any time.

Property of:

THE TECHNICAL MATERIEL CORPORATION
MAMARONECK, NEW YORK



REQ.	ITEM	PART NO.	DESCRIPTION	SYMBOL
		1 DIA.	TMC (Canada) LIMITED OTTAWA ONTARIO	
		STOCK SIZE		
		NEOPRENE	ELASTIC INSERT	
		MATERIAL	TAPE WINDING	
		WEIGHT PER PC.	J.W.T. 10-5-55	
		DUROMETER HARDNESS		
		45-50		
		TYPE & TEMPER	DRAWN	ELEC. DES. APP. MECH. DES. APP.
		HEAT TREAT. SPEC.	CHECKED	FINAL APPROVAL
		FINISH & SPEC. NO.		RY-101

ISSUE	ITEM	CHANGED FROM	DATE	CN. NO.	DRAFTS	CHECKER	ENG. APP.

TOLERANCES

SCALE FULL SIZE

DRILL, PUNCH, COMMERCIAL STOCK SIZES AND MANUFACTURERS TOLERANCES ARE NOT INCLUDED.

ALL OTHERS:
DEC. DIM. $\pm \frac{1}{64}$
FRAC. DIM. $\pm \frac{1}{64}$
ANGULAR DIM. \pm