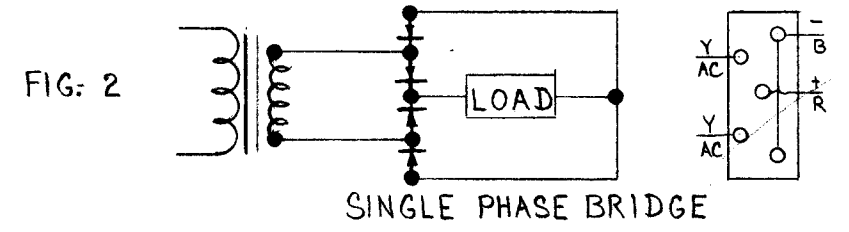
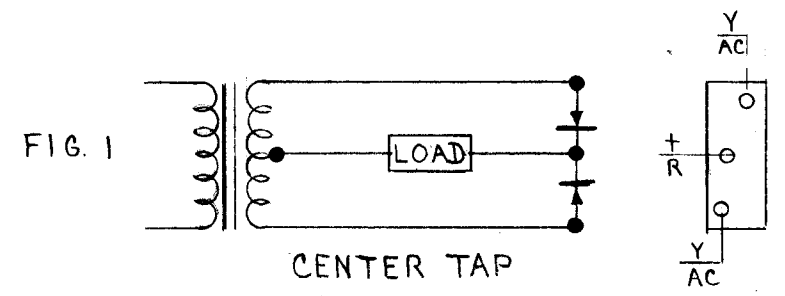


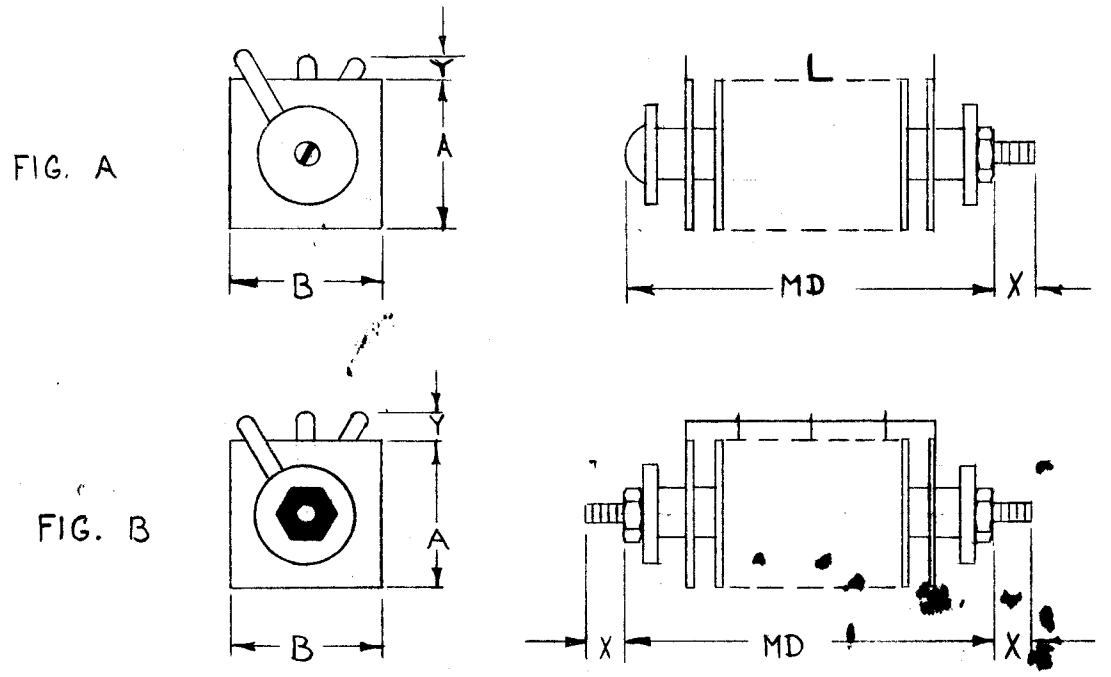
RX-105

TMC PART #	CAT. NO.	OUTPUT		MAX INPUT AC VOLTS	CIRCUIT & CONNECTING DIAG. FIG.	FIG.	DIMENSIONS (INCHES)					
		DC VOLT	DC AMP				A	B	MD	X	Y	STUD
RX-105-1	J14C04	0	0.4	36	1	A	1	1	1 1/8	1/8	1/4	8-32
-2	J14C1		1.5	36	1	A	1 1/2	1 1/2	1 1/8	3/8	5/16	8-32
-3	J14C5	TO	4.8	36	1	A	3	3	1 1/8	3/4	5/8	3/8-16
-4	J14C8		8.4	36	1	A	4	4	1 7/8	3/4	1/8	3/8-16
-5	J14C17	14	17.0	36	1	A	6	5	2 1/8	3/4	1/4	3/8-16
-6	J29B04	0	0.4	36	2	B	1	1	1 1/2	3/8	1/4	8-32
-7	J29B1		1.5	36	2	B	1 1/2	1 1/2	1 1/2	3/8	5/16	8-32
-8	J29B5	TO	4.8	36	2	B	3	3	2 5/8	3/4	5/8	3/8-16
-9	J29B8		8.4	36	2	B	4	4	2 5/8	3/4	1/8	3/8-16
-10	J29B17	29	17.0	36	2	B	6	5	3 1/4	3/4	1/4	3/8-16
-11	J58B04	0	0.4	72	2	B	1	1	2 1/4	3/8	1/4	8-32
-12	J58B1		1.5	72	2	B	1 1/2	1 1/2	2 1/4	3/8	5/16	8-32
-13	J58B5	TO	4.8	72	2	B	3	3	4 3/16	3/4	5/8	3/8-16
-14	J58B8		8.4	72	2	B	4	4	4 3/16	3/4	1/8	3/8-16
-15	J58B17	58	17.0	72	2	B	6	5	5 5/8	3/4	1/4	3/8-16
-16	J116B04	0	0.4	144	2	B	1	1	3 13/16	3/8	1/4	8-32
-17	61-7587		1.5	144	2	B	1 1/2	1 1/2	3 13/16	3/8	5/16	8-32
-18	J116B5	TO	4.8	144	2	B	3	3	7 3/16	3/4	5/8	3/8-16
-19	J116B8		8.4	144	2	B	4	4	7 3/16	3/4	1/8	3/8-16
-20	J116B17	116	17.0	144	2	B	6	5	10 1/4	3/4	1/4	3/16-16
-21	J135B04	0	0.4	180	2	B	1	1	4 9/16	3/8	1/4	8-32
-22	J135B1		1.5	180	2	B	1 1/2	1 1/2	4 9/16	3/8	5/16	8-32
-23	J135B5	TO	4.8	180	2	B	3	3	8 11/16	3/4	5/8	3/8-16
-24	J135B8		8.4	180	2	B	4	4	8 11/16	3/4	1/8	3/8-16
-25	J135B17	135	17.0	180	2	B	6	5	12 9/16	3/4	1/4	3/10-16

CIRCUIT AND CONNECTING DIAGRAMS



DIAGRAMS OF DIMENSIONS



REF: USE MOUNT. BKT. TMC NO. MS-2203

ISSUE	ITEM	CHANGED FROM	DATE	CH. NO.	DRAFTS	CHECKER	ENG. APP.
A	1	IN CHART CHG. -17 CAT. NO. WAS J116B1	9/20/63	10051	HD	JNY	[Signature]
TOLERANCES			SCALE: S-401-98				
DEC. DIM. ±			MAXIMUM ALLOWABLE TOLERANCES HAVE BEEN DETERMINED AND ANY DEVIATIONS WILL BE CAUSE FOR REJECTION.				
FRAC. DIM. ±			REMOVE ALL BURRS AND SHARP EDGES				
ANGULAR DIM. ±							

REQ. PER UNIT	1	MODEL	CSS-1	PROJECT NO.	RX-105-17	ASS'Y. NO.		DATE	4-28-60
USED ON									

REQ. ITEM	PART NO.	DESCRIPTION	SYMBOL
STOCK SIZE		THE TECHNICAL MATERIEL CORP. MAMARONECK. NEW YORK	
MATERIAL		RECTIFIER, SELENIUM	
TYPE & TEMPER	HEAT TREAT. SPEC.	DRAWN	CHECKED
FINISH & SPEC. NO.		ELEC. DES. APP. MECH. DES. APP.	
			FINAL APPROVAL
			RX-105
			A