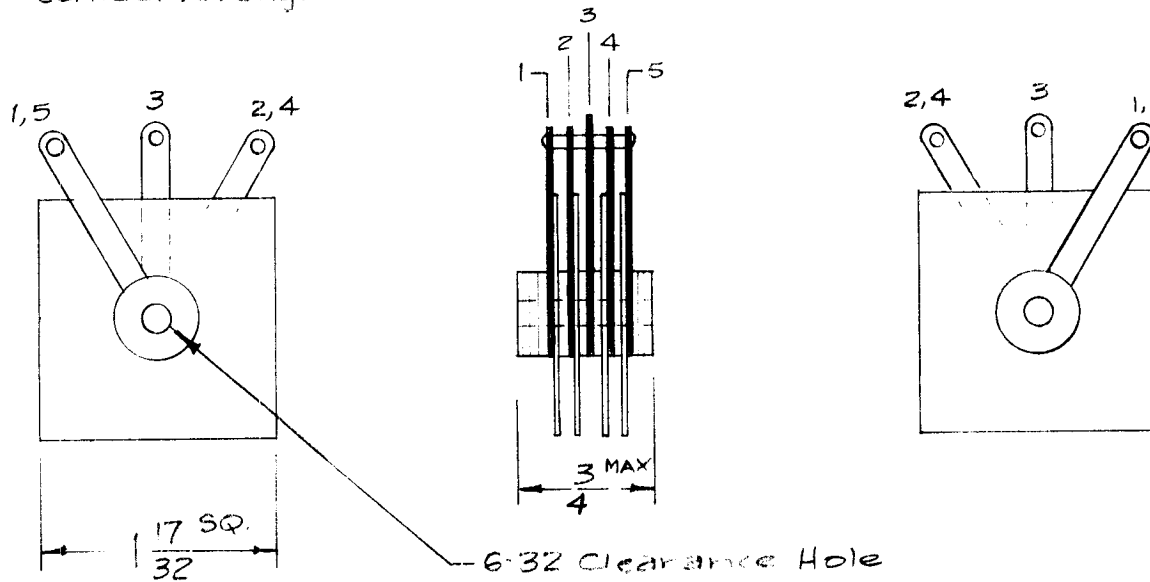
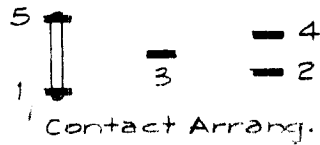


REQ. PER UNIT	USED ON			RX-103
	MODEL	ASS'Y. NO.	DATE	
1	A-1504	—	6-13-58	



MAX. DC MA - 600
MAX. RMS VOLT - 25

Ref. FEDERAL TEL. & RADIO CO. (DIV. of IT&T) # 1017

ISSUE	ITEM	CHANGED FROM	DATE	CH. NO.	DRAFTS	CHECKER	ENG. APP.	REQ. ITEM	PART NO.	DESCRIPTION	SYMBOL		
										THE TECHNICAL MATERIEL CORP. MAMARONECK, NEW YORK RECTIFIED, SELENIUM, FULL WAVE			
									STOCK SIZE				
									MATERIAL				
TOLERANCES								SCALE: FULL					
DEC. DIM. ± FRAC. DIM. ± ANGULAR DIM. ±								MAXIMUM ALLOWABLE TOLERANCES HAVE BEEN DETERMINED AND ANY DEVIATIONS WILL BE CAUSE FOR REJECTION. REMOVE ALL BURRS AND SHARP EDGES					
								TYPE & TEMPER	HEAT TREAT. SPEC.	DRAWN	CHECKED	FINAL APPROVAL	
								FINISH & SPEC. NO.		ELEC. DES. APP.	MECH. DES. APP.	RX-103	