

IF IT IS FOUND DESIRABLE TO CHANGE ANY TOLERANCE OR OTHER DETAIL SPECIFIED ON THIS DRAWING NOTIFY THE PURCHASER PROMPTLY.

RX-101 A

MAXIMUM ALLOWABLE TOLERANCES HAVE BEEN DETERMINED AND DEVIATIONS WILL BE CAUSE FOR REJECTION. REMOVE ALL BURRS AND SHARP EDGES

USED ON

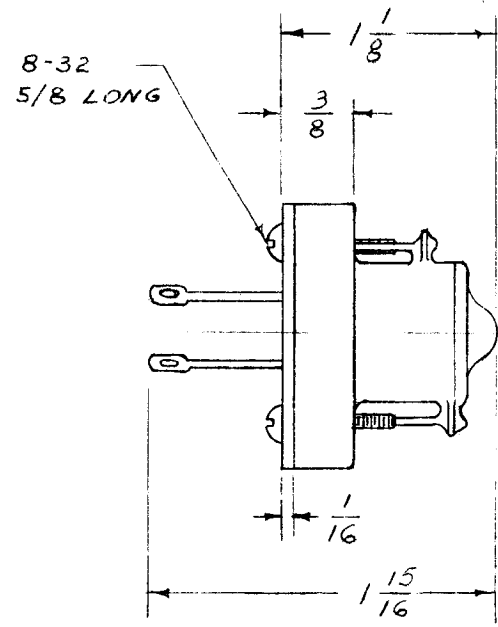
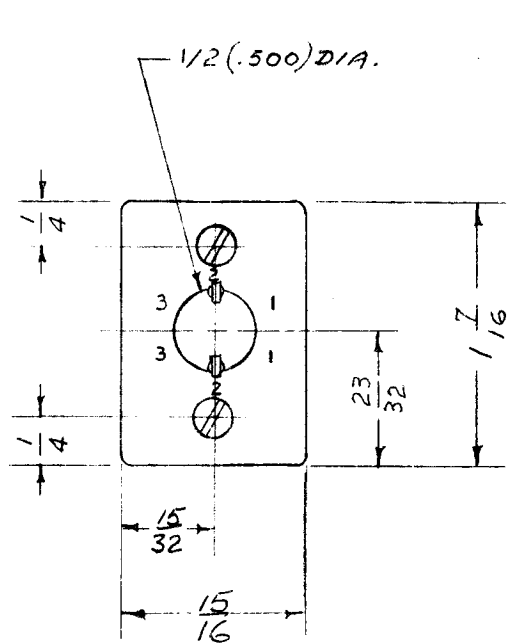
MODEL

PROJECT NO.

ASS'Y. NO.

DATE

SFO-2



NOTE:  
DIMENSIONS FOR  
REFERENCE ONLY

Ref: Western Electric Co. Part 308A

REQ.	ITEM	PART NO.	DESCRIPTION	SYMBOL
			THE TECHNICAL MATERIEL CORP. MAMARONECK. NEW YORK	
		STOCK SIZE		
			RECTIFIER, SILICONE CARBIDE	
		MATERIAL	WEIGHT PER PC.	
		TYPE & TEMPER	PLD 2-25-55	
			DRAWN	ELEC. DES. APP. MECH. DES. APP.
			<i>Mila</i>	<i>Ao Jo Jo</i>
		HEAT TREAT. SPEC.	CHECKED	FINAL APPROVAL
		FINISH & SPEC. NO.		

A	1	DETAILS ADDED	2/25/55	1	<i>RS</i>	<i>JADA</i>	<i>Jo Jo</i>
ISSUE	ITEM	CHANGED FROM	DATE	CN. NO.	DRAFTS	CHECKER	ENG. APP.
TOLERANCES			SCALE				
ALL OTHERS	DEC. DIM. ± FRAC. DIM. ± ANGULAR DIM. ±		DRILL, PUNCH, COMMERCIAL STOCK SIZES AND MANUFACTURERS TOLERANCES ARE NOT INCLUDED.				

RX-101 A