

IF IT IS FOUND DESIRABLE TO CHANGE ANY TOLERANCE OR OTHER DETAIL SPECIFIED ON THIS DRAWING NOTIFY THE PURCHASER PROMPTLY.

RELEASED

RW-112

A

MAXIMUM ALLOWABLE TOLERANCES HAVE BEEN DETERMINED AND DEVIATIONS WILL BE CAUSE FOR REJECTION. REMOVE ALL BURRS AND SHARP EDGES

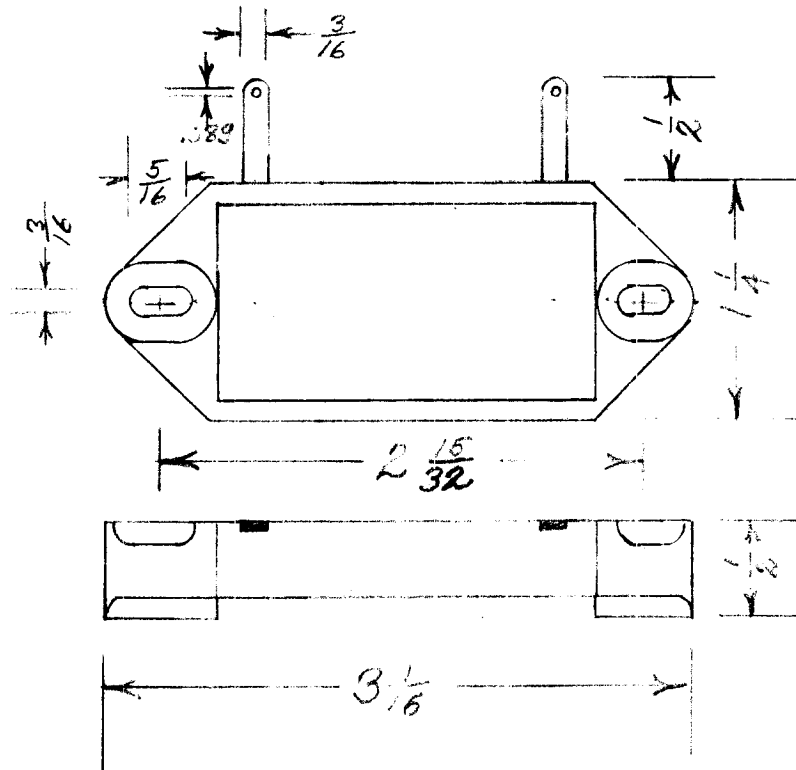
USED ON

MODEL

PROJECT NO.

ASS'Y. NO.

DATE



140 Ohms 25 Watts
Dem. for Rep. Only

Rep. Ward Leonard Electric Co. Plaquem 25P140

REQ.	ITEM	PART NO.	DESCRIPTION	SYMBOL
			THE TECHNICAL MATERIEL CORP. MAMARONECK. NEW YORK	
		STOCK SIZE		
			RESISTOR FIXED	
		MATERIAL	WEIGHT PER PC.	
			WIREWOUND 25 W.	
		TYPE & TEMPER		
		HEAT TREAT. SPEC.		
		FINISH & SPEC. NO.		
			CHECKED	FINAL APPROVAL
			RW-112	A

A	1	RTB	REMOVED	1/15/50	1	1/15	JAR	AMB
ISSUE	ITEM	CHANGED FROM		DATE	CN. NO.	DRAFTS	CHECKER	ENG. APP.

TOLERANCES

SCALE

ALL OTHERS

DEC. DIM. ±
FRAC. DIM. ±
ANGULAR DIM. ±

DRILL, PUNCH, COMMERCIAL STOCK SIZES AND MANUFACTURERS TOLERANCES ARE NOT INCLUDED.