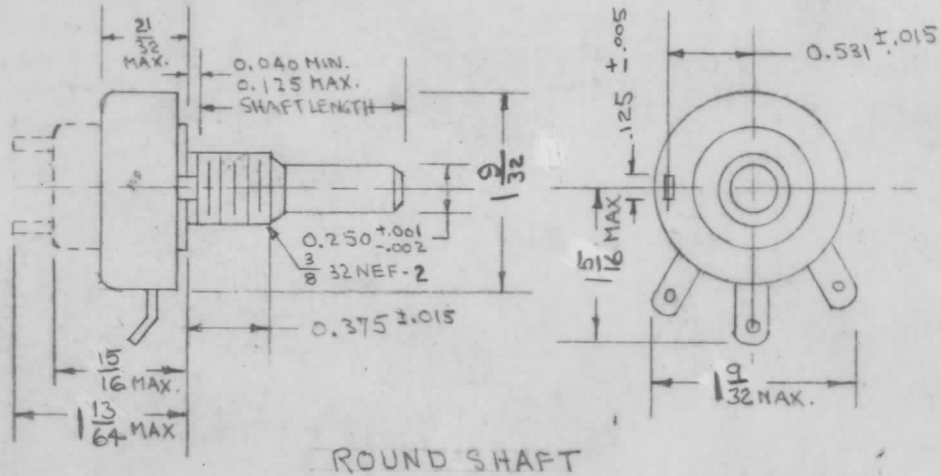


IF IT IS FOUND DESIRABLE TO CHANGE ANY TOLERANCE OR OTHER DETAIL SPECIFIED ON THIS DRAWING NOTIFY THE PURCHASER PROMPTLY.

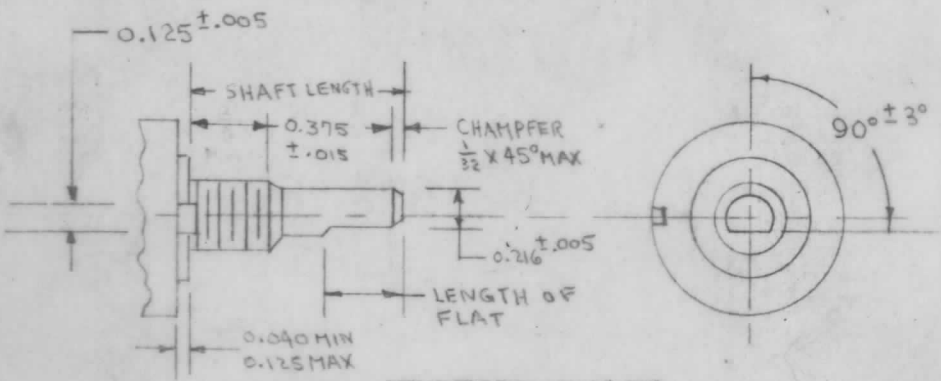
MAXIMUM ALLOWABLE TOLERANCES HAVE BEEN DETERMINED AND DEVIATIONS WILL BE CAUSE FOR REJECTION. REMOVE ALL BURRS AND SHARP EDGES

STANDARD DRAWING

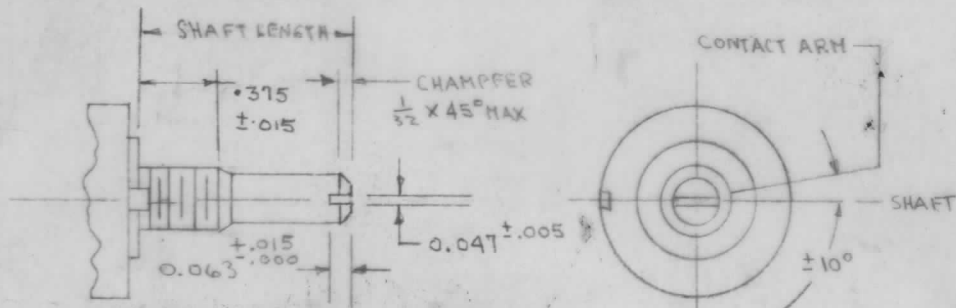
RV-3



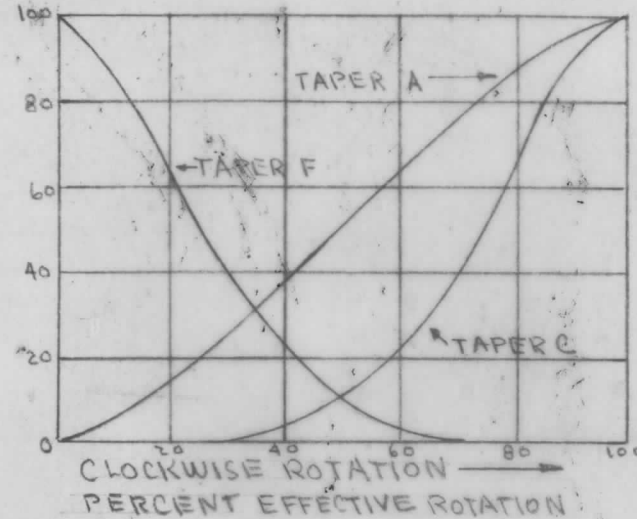
ROUND SHAFT



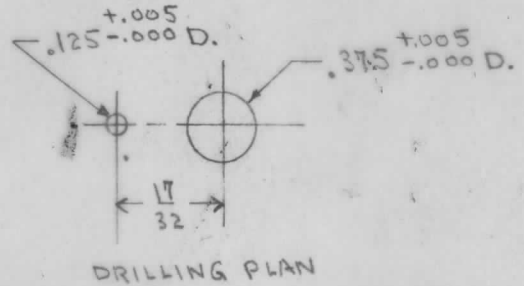
FLATTED SHAFT



SLOTTED SHAFT



MOUNTING HARDWARE: LOCKWASHER LW1372SC AND HEX NUT NTH3732BN16. SUPPLIED BY TMC.



RV3 A T RH 103 B
 COMPONENT SWITCH TEMP. SHAFT RESIS. CHARAC-
 HUM. STYLE TANCE TERISTIC
 TYPE DESIGNATION

STYLE OF SHAFT	
F	FLATTED
R	ROUND
S	SLOTTED

SWITCH	
A	NO SWITCH
B	SP ST SW
C	DP ST SW

TEM. HUM.	MAX. AMB. TEMP.	% CHANGE
T	85°C 180°F	±10
U	85°C 180°F	±25

CHAR.	TAPER	TOLERANCE %
A	A	±10
B	A	±20
C	C	±10
D	C	±20
E	F	±10
F	F	±20

POWER RATING	
TAPPER	WATTS
A	1/2
C	1/4
F	1/4

TYPE DESIGNATION	TOTAL RESISTANCE OHMS	TYPE DESIGNATION	TOTAL RESISTANCE OHMS
RV-3-101	100	RV-3-353	35,000
RV-3-151	150	RV-3-503	50,000
RV-3-251	250	RV-3-753	75,000
RV-3-351	350	RV-3-104	100,000
RV-3-501	500	RV-3-154	150,000
RV-3-751	750	RV-3-254	250,000
RV-3-102	1,000	RV-3-354	350,000
RV-3-152	1,500	RV-3-504	500,000
RV-3-252	2,500	RV-3-754	750,000
RV-3-352	3,500	RV-3-105	1 Meg
RV-3-502	5,000	RV-3-155	1.5 Meg
RV-3-752	7,500	RV-3-255	2.5 Meg
RV-3-103	10,000	RV-3-355	3.5 Meg
RV-3-153	15,000	RV-3-505	5.0 Meg
RV-3-253	25,000	RV-3-755	7.5 Meg
		RV-3-106	10 Meg

LENGTH OF SHAFT FROM MTG SURFACE OF RESISTOR			
LETTER DESIGNATION	ROUND OR FLATTED	SLOTTED	LENGTH OF FLAT
A	—	5/8	—
C	—	3/4	—
D	7/8	7/8	.375 ±.010
E	1	—	.500 ±.010
G	1 1/4	1 1/4	.625 ±.010
H	1 1/2	1 1/2	.625 ±.010
J	2	2	.625 ±.010
K	2 1/2	2 1/2	2.125 ±.010

VARIABLE RESISTORS SHALL BE IN ACC. WITH SPEC. 4 AMEND OF JAN-R-94

REQ. ITEM	PART NO.	DESCRIPTION	SYMBOL
—	—	THE TECHNICAL MATERIEL CORP. MAMARONECK. NEW YORK	
—	—	RESISTOR, 1/2 WATT VARIABLE COMPOSITION	
—	—	DATE 11/19/52 DRAWN G.T.O. ELEC. DES. APP. MECH. DES. APP.	
—	—	CDD 11/19/52 CHECKED FINAL APPROVAL	
—	—	RV-3	

ISSUE	ITEM	CHANGED FROM	DATE	CN. NO.	DRAFTS	CHECKER	ENG. APP.
TOLERANCES							
SCALE:							
DRILL, PUNCH, COMMERCIAL STOCK SIZES AND MANUFACTURERS TOLERANCES ARE NOT INCLUDED.							

MODEL	PROJECT NO.	ASS'Y. NO.	DATE
USED ON			