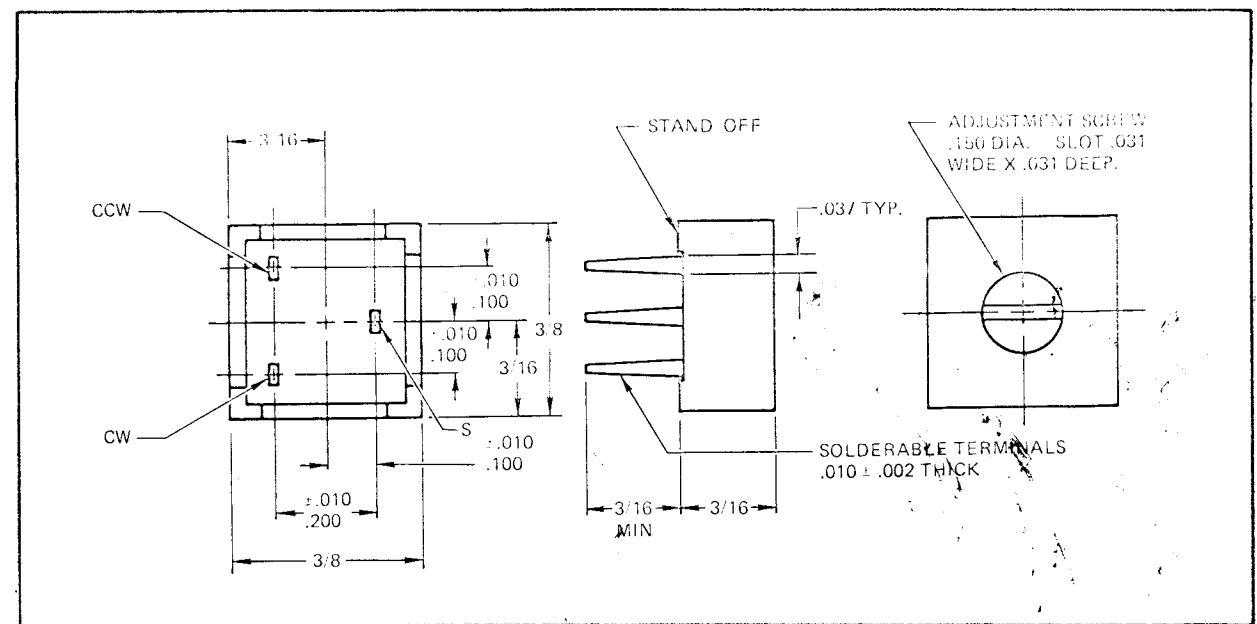
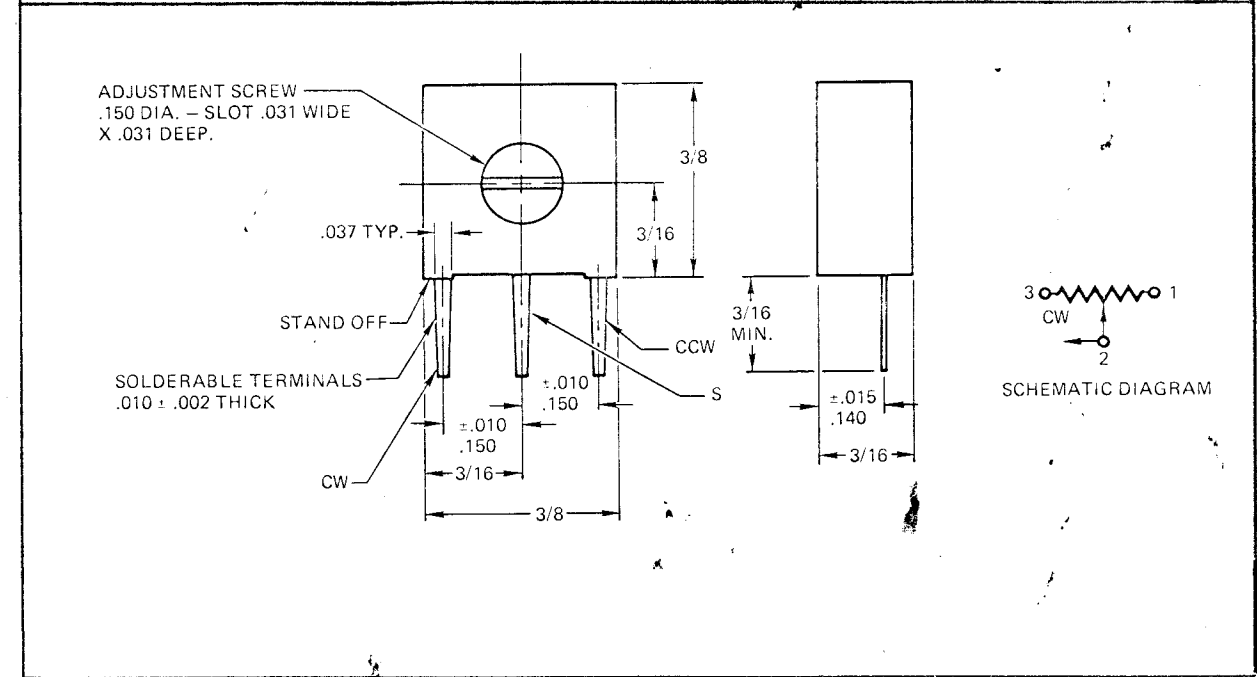


REVISIONS							
E.M.N. NO.	DRAFT	CHKD	ZONE	LTR	DESCRIPTION	DATE	APPROVED
	8			2	ORIGINAL RELEASE FOR PRODUCTION	11-6-72	

DETAIL 1



DETAIL 2



Standard Resistance Values and Tempcos

Standard Resistance Value, Ohms	Std. Unit Tempco* (ppm/°C)	Standard Resistance Value, Ohms	Std. Unit Tempco* (ppm/°C)
10	0 to +500	20K	±100
20	0 to +500	25K	±100
50	0 to +250	50K	±100
100	±100	100K	±100
200	±100	200K	±100
500	±100	250K	±100
1K	±100	500K	±100
2K	±100	1 meg	±100
5K	±100	2 meg	±100
10K	±100		

\*Guaranteed maximum over the ambient temperature range of -25°C to +125°C.

Environmental:  
(Units perform satisfactorily under the following environmental stresses.)

- Temperature cycling ..... 5 cycles, -25°C to +125°C
- Humidity cycling ..... Five, 24-hour cycles
- Shock ..... 100 g's
- Vibration ..... 10 g's, 10 to 500 Hz
- Rotational Life ..... 200 cycles
- Load life at 0.5 watts ..... Within MIL Specs\*

TMC PART NO. SHALL BE IN THE FOLLOWING FORM

RV 139-1-501

BASIC DWG NO. - DETAIL - RESISTANCE VALUE (SEE CHART) - LAST DIGIT INDICATES NO. OF ZEROS

TM 125		
QTY / UNJT	MODEL USED ON	ASS'Y NO.
APPLICATION		
CODE	S401-339	

NOTICE TO PERSONS RECEIVING THIS DRAWING  
THE TECHNICAL MATERIEL CORPORATION claims proprietary right in the material disclosed hereon. This drawing is issued in confidence for engineering information only and may not be reproduced or used to manufacture anything shown hereon without permission from THE TECHNICAL MATERIEL CORPORATION to the user. This drawing is loaned for mutual assistance and is subject to recall at any time.

UNLESS OTHERWISE SPECIFIED DIMENSIONS ARE IN INCHES AND INCLUDE CHEMICALLY APPLIED OR PLATED FINISHES	
DECIMALS .X ± .05 .XX ± .01 .XXX ± .005	FRACTIONS 1/64 ANGLES 0° - 30'
MATERIAL	FINISH

REQ'D	ITEM	PART NUMBER	DESCRIPTION	SYM.
O. POSE LIST OF MATERIAL				
THE TECHNICAL MATERIEL CORP. MAMARONECK, NEW YORK				
POTENTIOMETER VAR.				
SIZE	CODE IDENT. NO.	DWG NO.	ISSUE	
B	82679	RV 139	Ø	
SCALE			SHEET 1 OF 1	