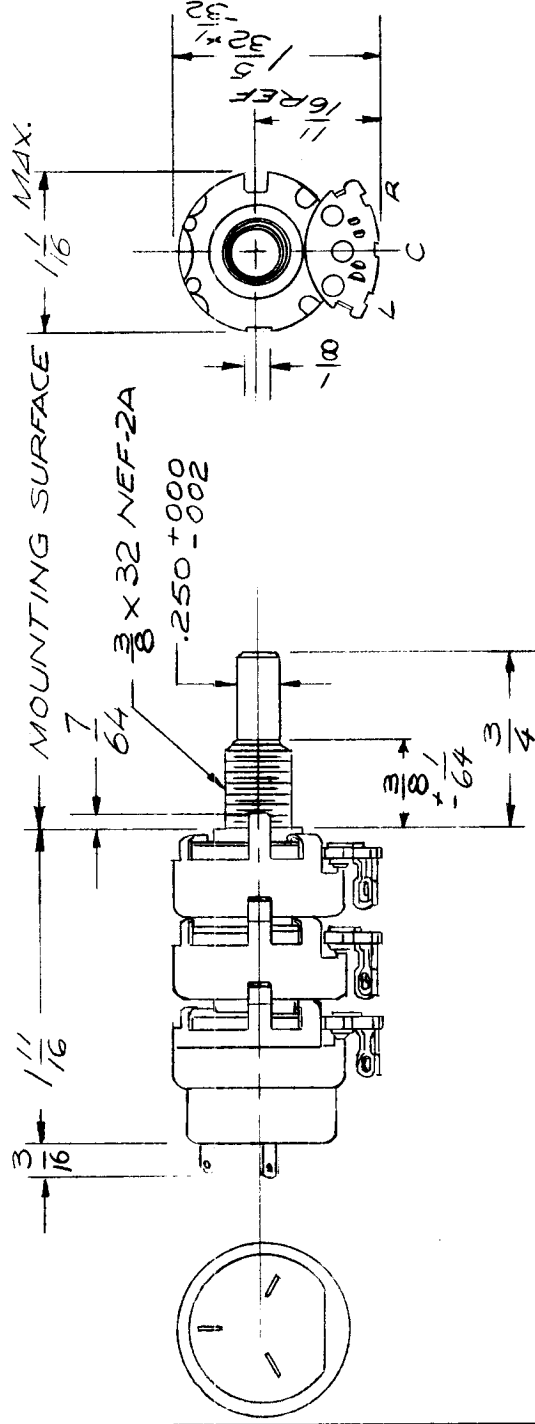


APPLICATION			REVISIONS						
QTY	MODEL USED ON	ASSY NO.	LTR	DESCRIPTION	DATE	E.M.N.NO	DRAFT	CHKD	APPD
	HERR-4		A	PICTORIAL ADD.	3.18.69	19353	GE		
			E	CHG MFG. REF. & REAR TERM CONF.	4.28.76	19827	GE		

**SPECIFICATIONS**

EACH SECTION  $10K\Omega$  (C) 1 TAPER  
 SHAFT: PLAIN, ROUND (3/4 FMS)  
 BUSHING: 3/8 WITH SPDT SWITCH  
 RATED AT 3.0 AMPS

MFR REF: T53MS - 10K-S±20 BU3/8 SH3/4FMS P.R./AE30SW



UNLESS OTHERWISE SPECIFIED DIMENSIONS ARE IN INCHES AND INCLUDE CHEMICALLY APPLIED OR PLATED FINISHES	REQ'D ITEM	PART NUMBER	DESCRIPTION	SYM.
DECIMALS .X ± .05 TOLS. .XX ± .01 ANGLES .XXX ± .005 0°-30'	FINAL APPROVAL	EFM	DATE	
MATERIAL	MECH. DES.		DATE	
FINISH	ELECT. DES.		DATE	
5401-61	CHECKED	JAD	DATE	
	DRAWN	G. EVANGELIST	DATE	
LIST OF MATERIAL				
<b>THE TECHNICAL MATERIEL CORP.</b> MAMARONECK, NEW YORK				
<b>RESISTOR, VARIABLE</b> <b>(W SPDT SWITCH)</b>				
SIZE	CODE IDENT. NO.	DWG NO.	ISSUE	
A	82679		B	
SCALE		SHEET	OF	

**NOTICE TO PERSONS RECEIVING THIS DRAWING**  
 THE TECHNICAL MATERIEL CORPORATION claims proprietary right in the material disclosed hereon. This drawing is issued in confidence for engineering information only and may not be reproduced or used to manufacture anything shown hereon without permission from THE TECHNICAL MATERIEL CORPORATION to the user. This drawing is loaned for mutual assistance and is subject to recall at any time.