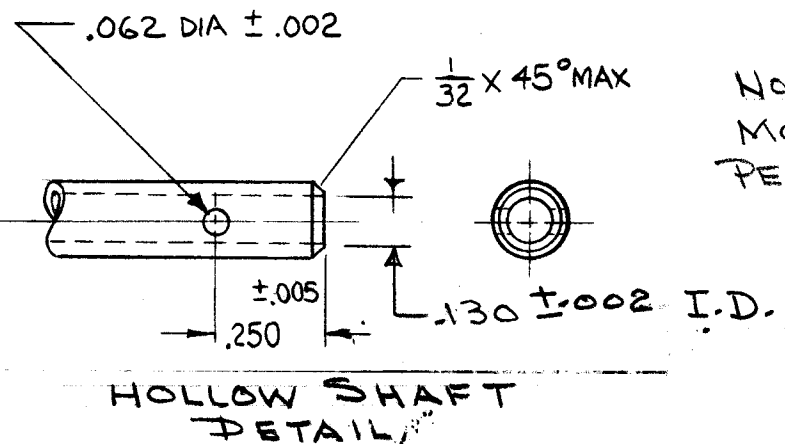
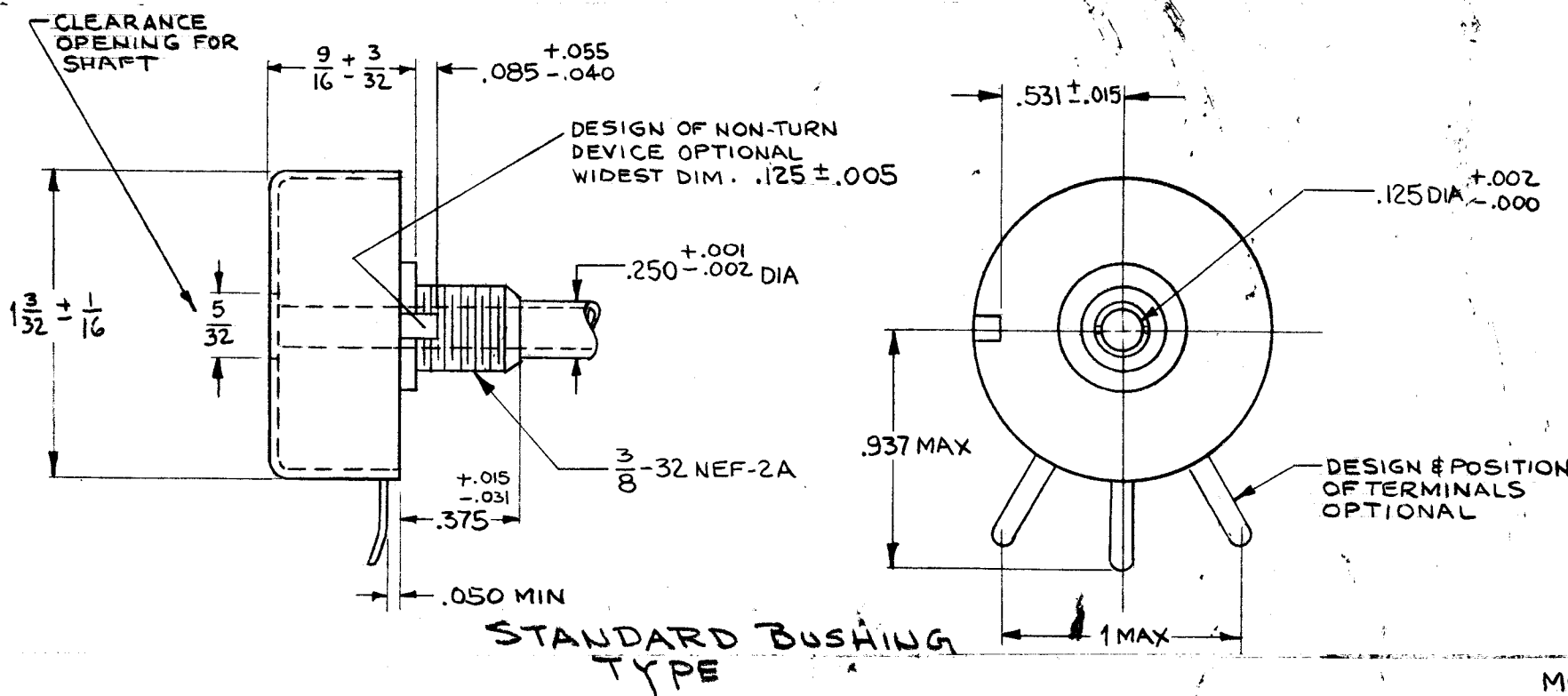


STANDARD DRAWING

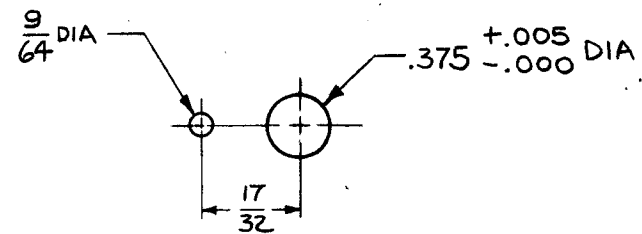
TMC PART #	TYPE OF POTENTIOMETER TO BE USED FOR MODIF.
RV120-1	RV4 NAYRE102A

RV 120

REVISIONS					
SYM	DESCRIPTION	DATE	E.M.N. NO.	DRAFT	CHKD APPD
X1	ID WAS .125 \pm .002 - .000	7/8/65	X1	file	file
Ø	ORIGINAL RELEASE FOR PRODUCTION	7/9/65	Ø		



STANDARD BUSHING TYPE



DRILLING PLAN

MOUNTING HARDWARE:
 LOCKWASHER, LWI37LRN &
 HEX NUT NTH3732BNIG
 SUPPLIED BY RESISTOR MFR.

BUILT IN ACCORDANCE W/ MIL-R-94,
 HOWEVER QUALIFICATION TESTING
 SHALL NOT BE REQUIRED.
 USE TMC DWG RV4 FOR REF.

NOTES

Q'TY./UNIT	MODEL USED ON	ASS'Y. NO.
H	RFTA-1	A4255
SCALE	CODE	
H	C	SA01-224

THE CONTENTS OF THIS DRAWING ARE THE EXCLUSIVE PROPERTY OF THE TECHNICAL MATERIEL CORP. ITS UNAUTHORIZED USE OR REPRODUCTION IN WHOLE OR IN PART IS STRICTLY FORBIDDEN.

REQ'D.	ITEM	PART NUMBER	DESCRIPTION	SYMBOL
BUDETTI LIST OF MATERIAL				
MATERIAL			THE TECHNICAL MATERIEL CORP. MAMARONECK, NEW YORK	
FINISH			TITLE RESISTOR, VARIABLE, COMP HOLLOW SHAFT	
UNLESS OTHERWISE SPECIFIED DIMENSIONS ARE IN INCHES AND INCLUDE CHEMICALLY APPLIED OR PLATED FINISHES			DRAWN DATE 6-15-65	FINAL APPROVAL DATE 7/9/65
DECIMALS .X ± .05 .XX ± .01 .XXX ± .008			CHECKED DATE 6-15-65	DATE 7/9/65
FRACTIONS ± 1/64 ANGLES ± 0° 30'			ELECT. DES. DATE 6-15-65	REV. LTR.
TOLERANCES			MECH. DES. DATE	SHEET
			RV120	